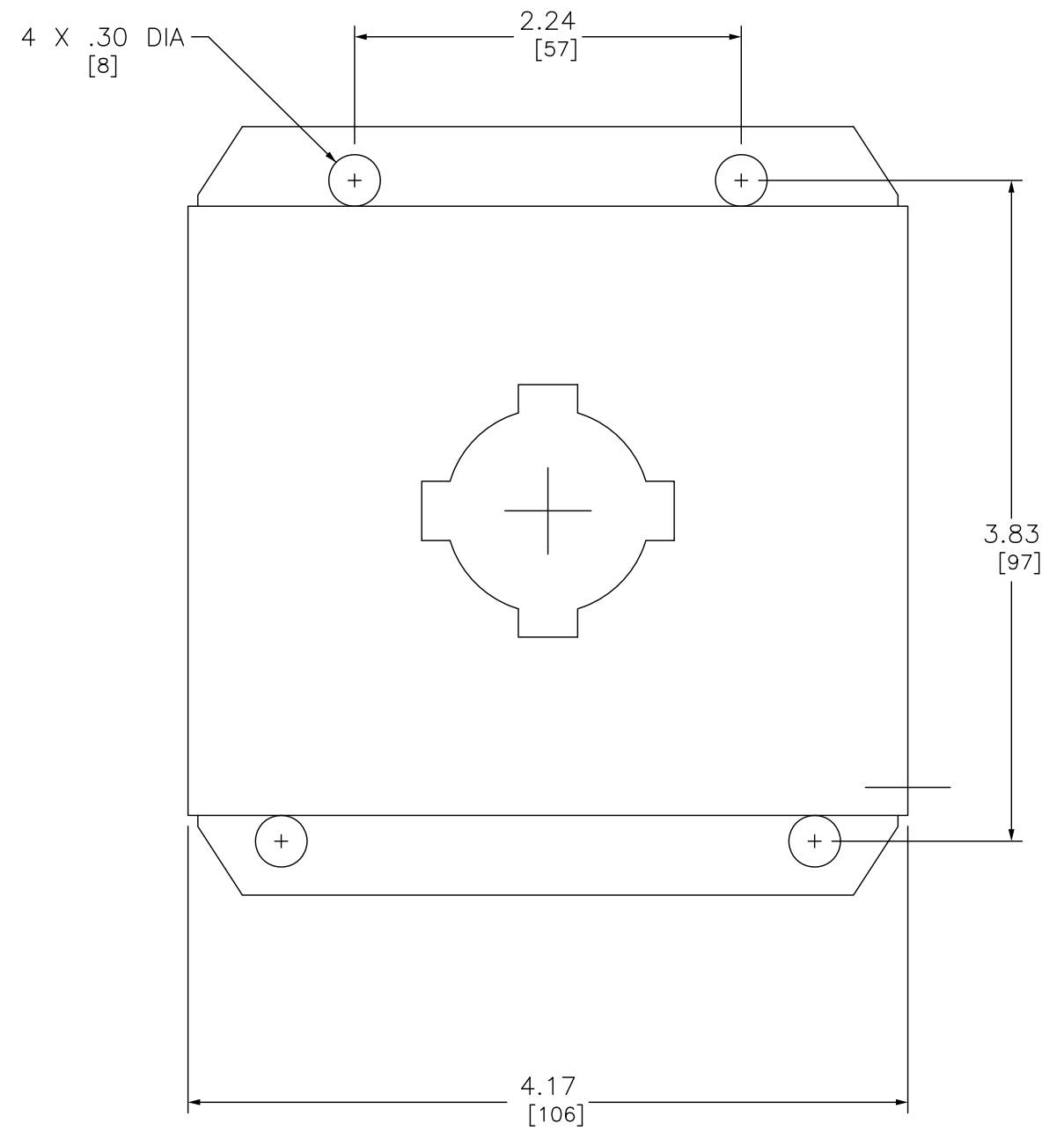


LEFT



FRONT

DUAL DIMENSIONS: INCHES  
MILLIMETERS

30MM CONTROL STATION 1 HOLE STAINLESS



DWG# 9001KYSS1  
NO.