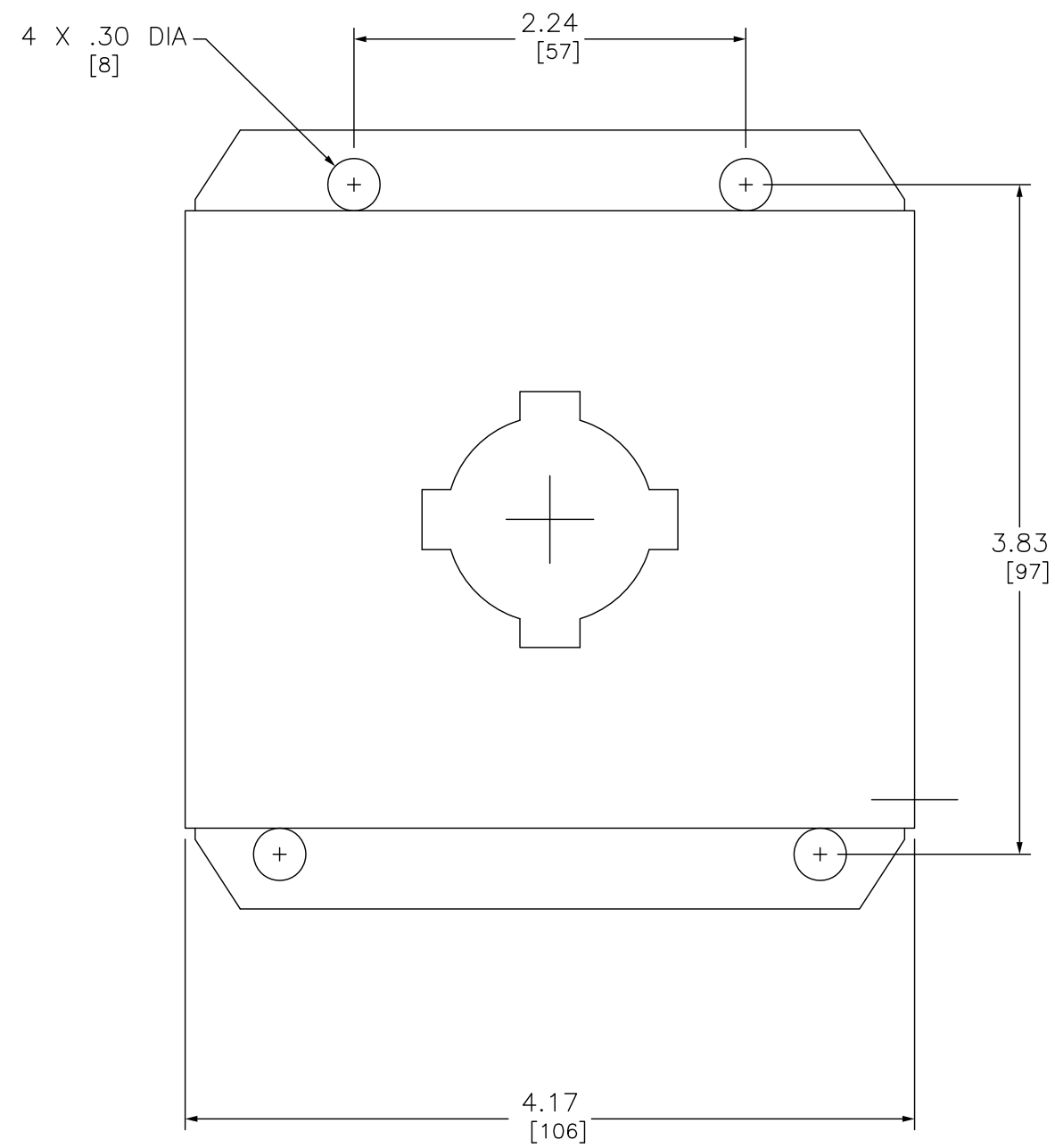


LEFT



FRONT

DUAL DIMENSIONS: INCHES
MILLIMETERS

CONTROL STATION ENCLOSURE 30MM K + SK + KX



DWG# 9001KYAF1
NO.