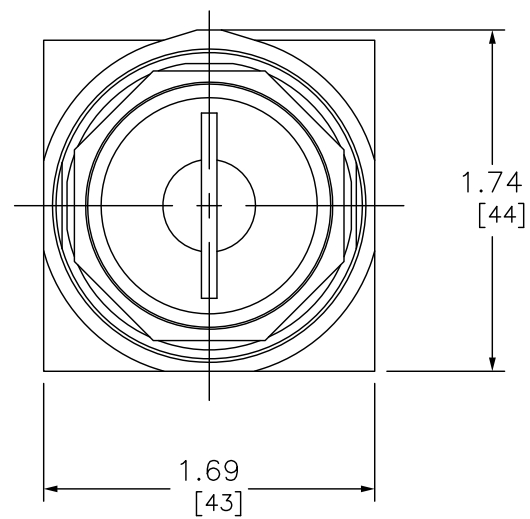
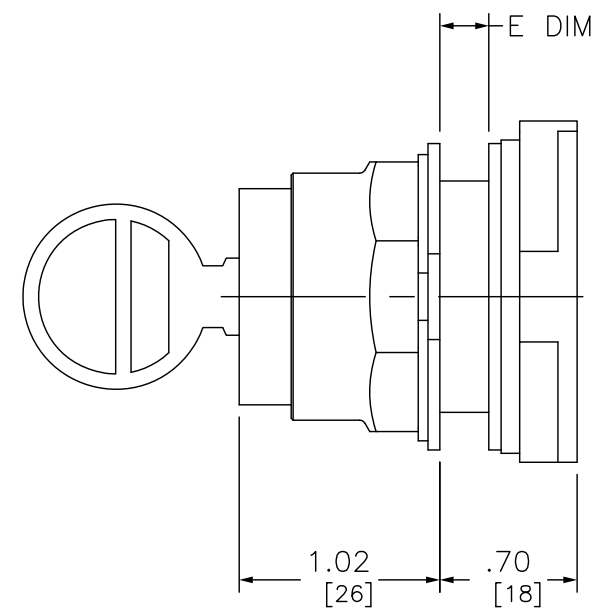


PANEL THICKNESS E DIM		NUMBER OF GASKET
IN	MM	
.06	2	4
.13	3	3
.19	5	2
.25	6	1




FRONT



RIGHT

DUAL DIMENSIONS: INCHES  
MILLIMETERS

PUSHBUTTON OPERATOR 30MM TYPE K + OPTIONS	 <b>by Schneider Electric</b>
	DWG# 9001KR131 NO.