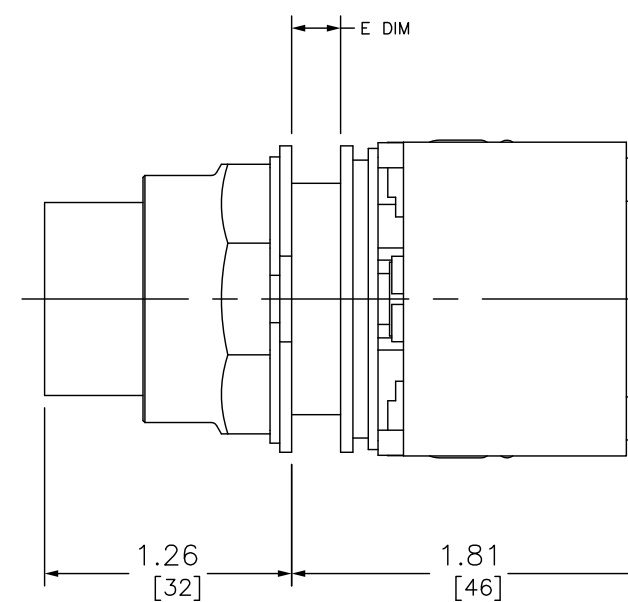
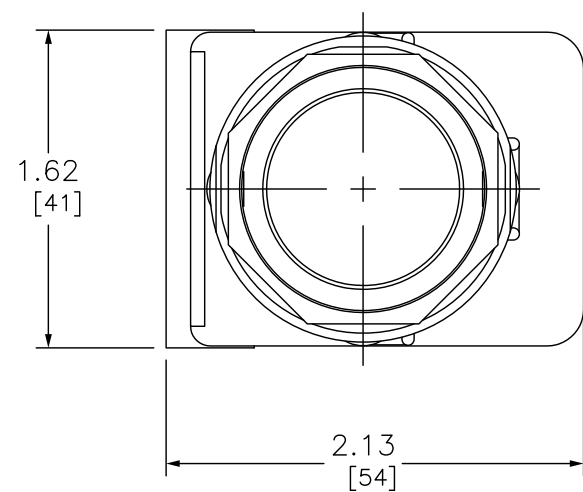


PANEL THICKNESS E DIM		NUMBER OF GASKET
IN	MM	
.06	2	4
.13	3	3
.19	5	2
.25	6	1



DUAL DIMENSIONS: INCHES  
MILLIMETERS

PUSHBUTTON OPERATOR 30MM TYPE K + OPTIONS



DWG# 9001K2L35G  
NO.