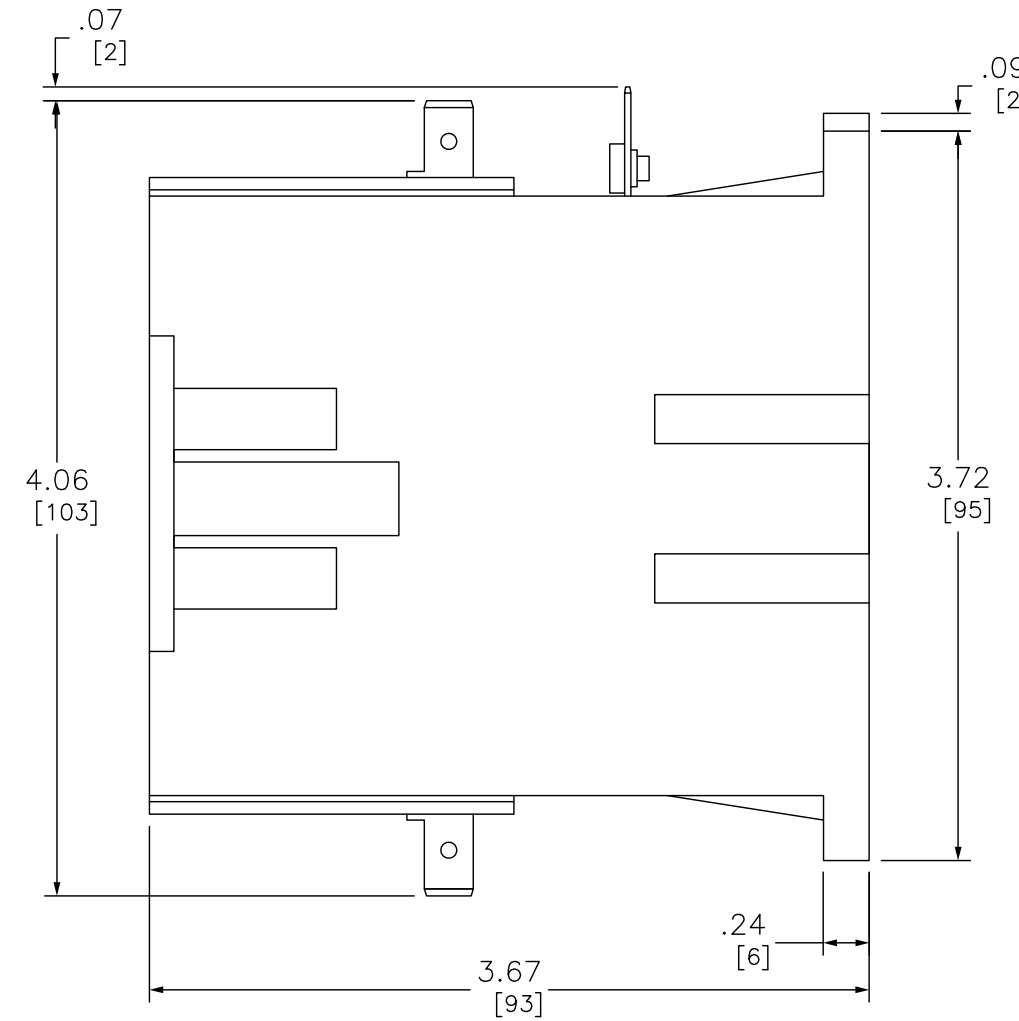
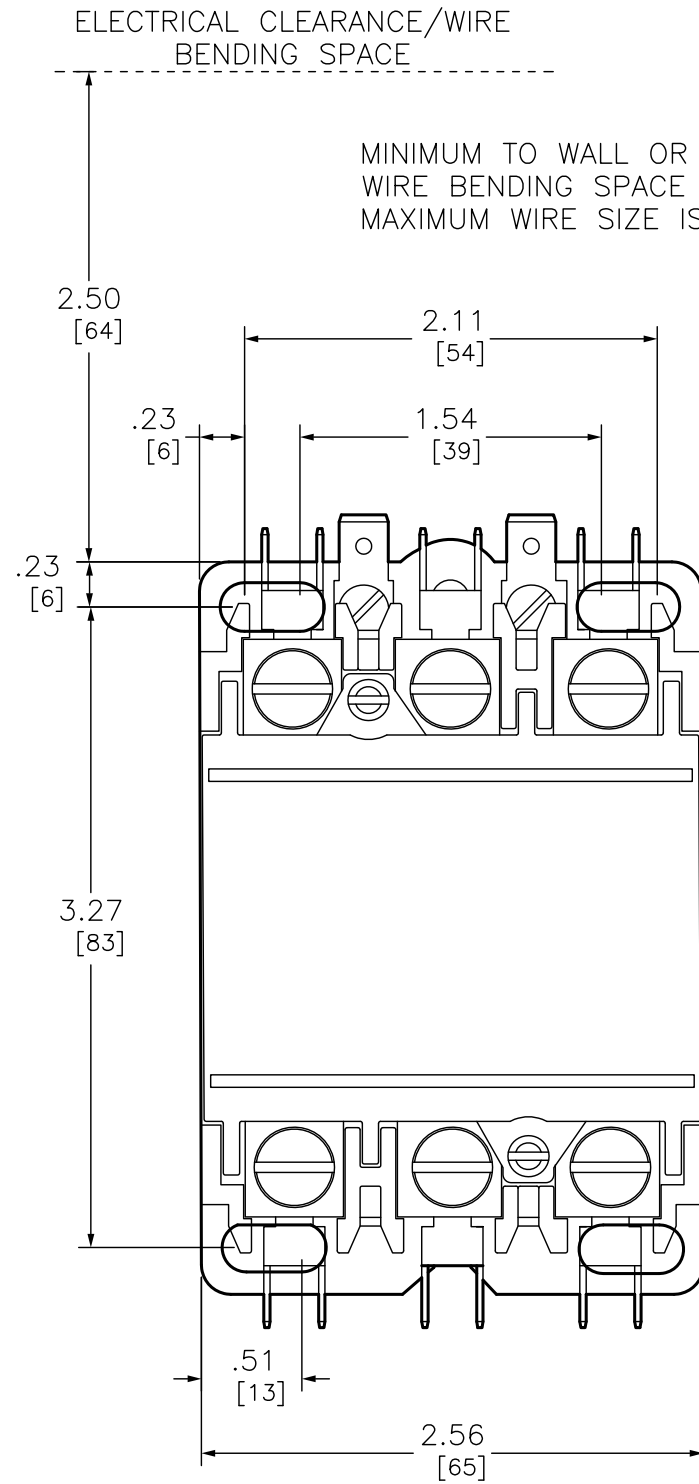


2 AND 3-POLE DEFINITE PURPOSE - 600  
VAC, 50-60 HZ

FULL LOAD AMPERES CODE (2)	
TYPE	FLA
52 (2 POLE)	50 FLA
53 (3 POLE)	
62 (2 POLE)	60 FLA
63 (3 POLE)	

COIL VOLTAGE CODE (1)	VOLTAGE	
	60 HZ	50 HZ
V14	24	24
V02	120	110
V09	208-240	220
V04	277	-
V06	480	440
V07	600	550

QUICK CONNECT TERMINALS AND  
BINDER HEAD SCREWS FOR EASY  
WIRING.



Catalog Number: 8910-DPA(2)(1)  
Ratings: SEE CHART  
UL File/CCN: E42240/CCN NLDX2  
CSA File/Class: LR25490/321104  
Meets Standards: -  
Weight: 1.75 LB  
Wire Size: POWER -#14-#8  
Terminal torque: 45 LB.-in  
Mounting Hwd.: (4) #10 or M5 screws

DUAL DIMENSIONS: INCHES  
MILLIMETERS

CONTACTOR 600VAC 50AMP DPA + OPTIONS

**SQUARE D**<sup>™</sup>  
by Schneider Electric

DWG# 8910DPA53V02DFJ2  
NO.