

4-POLE DEFINITE PURPOSE – 600 VAC,  
50-60 HZ

FULL LOAD AMPERES CODE (2)	
TYPE	FLA
14	20 FLA
24	25 FLA
34	30 FLA
44	40 FLA *

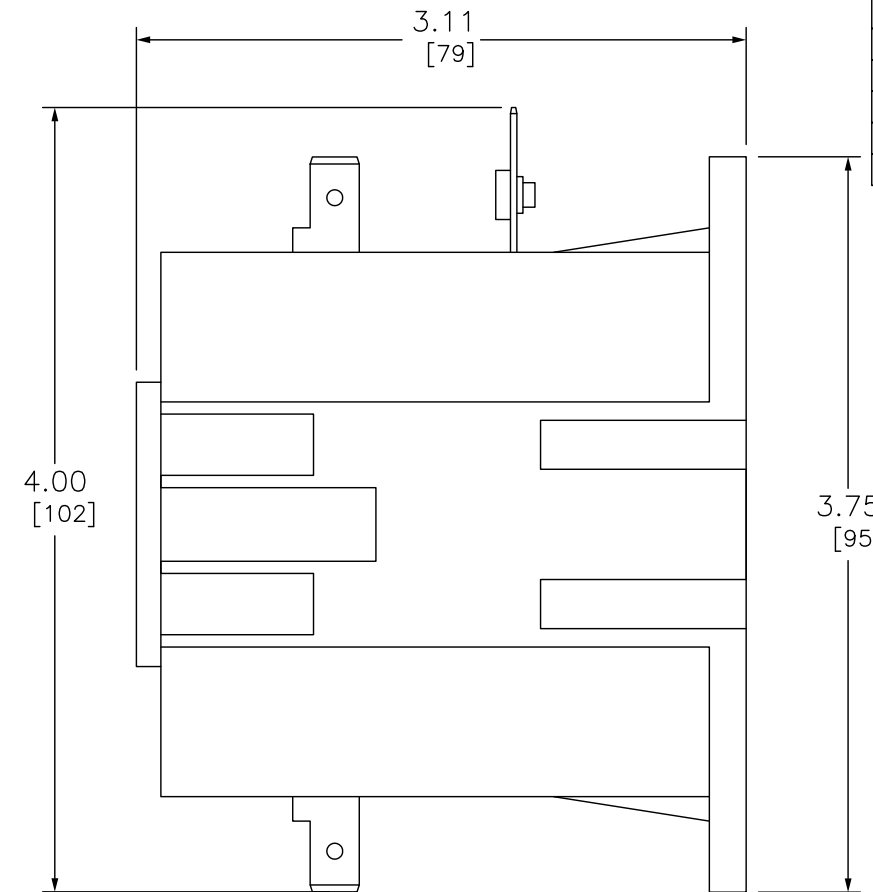
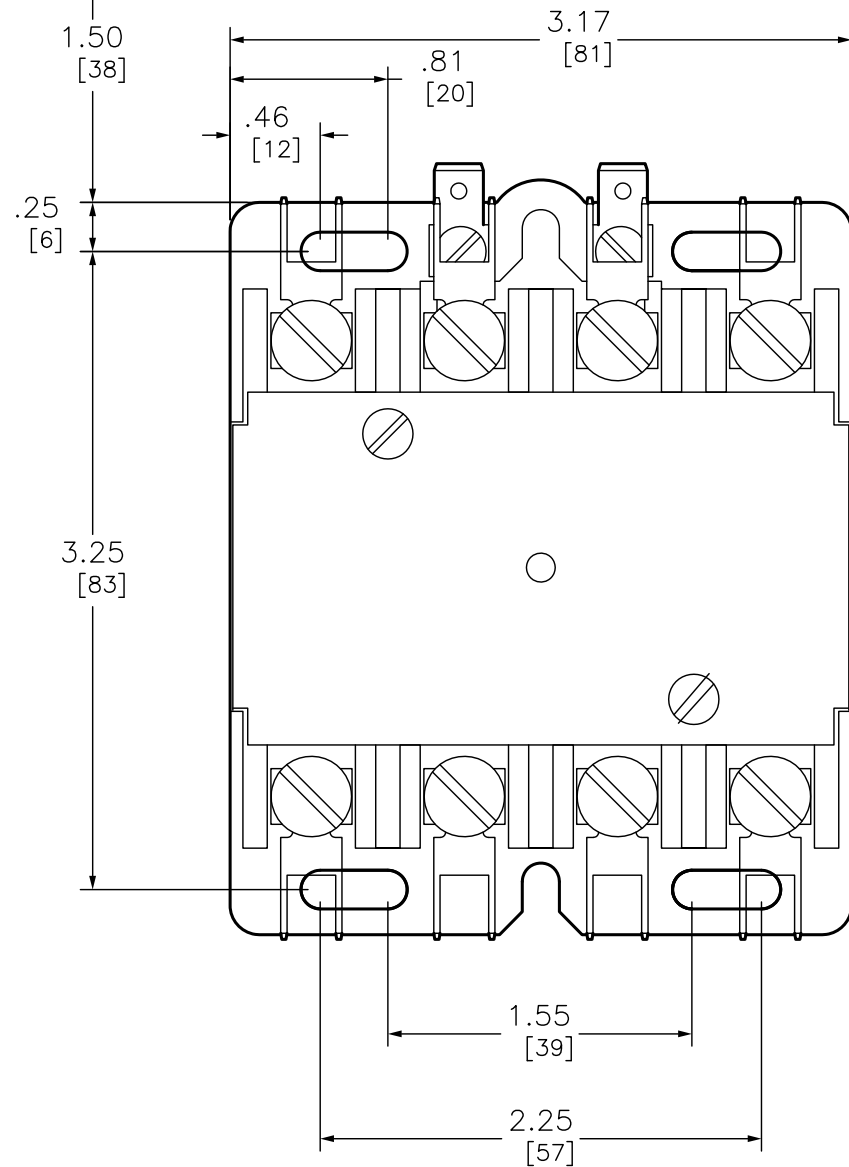
COIL VOLTAGE CODE (1)	VOLTAGE	
	60 HZ	50 HZ
V14	24	24
V02	120	110
V09	208-240	220
V04	277	-
V06	480	440
V07	600	550

QUICK CONNECT TERMINALS AND  
BINDER HEAD SCREWS FOR EASY  
WIRING.

\* = BOX LUGS #14-#6 AWG  
WIRE SIZE

ELECTRICAL CLEARANCE/WIRE  
BENDING SPACE

MINIMUM TO WALL OR BARRIER TO INSURE ADEQUATE  
WIRE BENDING SPACE TO LUG SURFACE WHEN THE  
MAXIMUM WIRE SIZE IS USED. REF NEC 430-10



Catalog Number: 8910-DPA(2)(1)  
Ratings: SEE CHART  
UL File/CCN: E42240/CCN NLDX  
CSA File/Class: LR25490/321104  
Meets Standards: -  
Weight: 1.50 LB  
Wire Size: POWER -#14-#8  
Terminal torque: 18lb - in ( 20 to 30 FLA) 25lb - in ( 40 FLA)  
Mounting Hwd.: (4) #10 or M5 screws

DUAL DIMENSIONS: INCHES  
MILLIMETERS

CONTACTOR 600VAC 30AMP DPA + OPTIONS

**SQUARE D**<sup>™</sup>  
by Schneider Electric

DWG# 8910DPA34V09Y392  
NO.