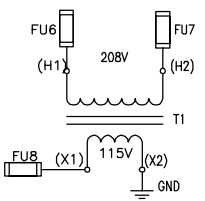
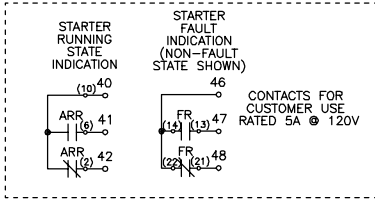
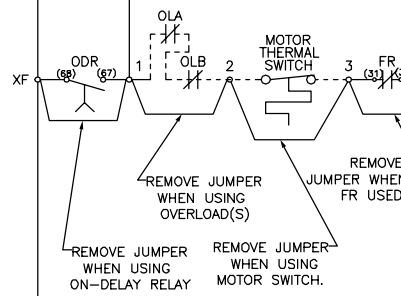
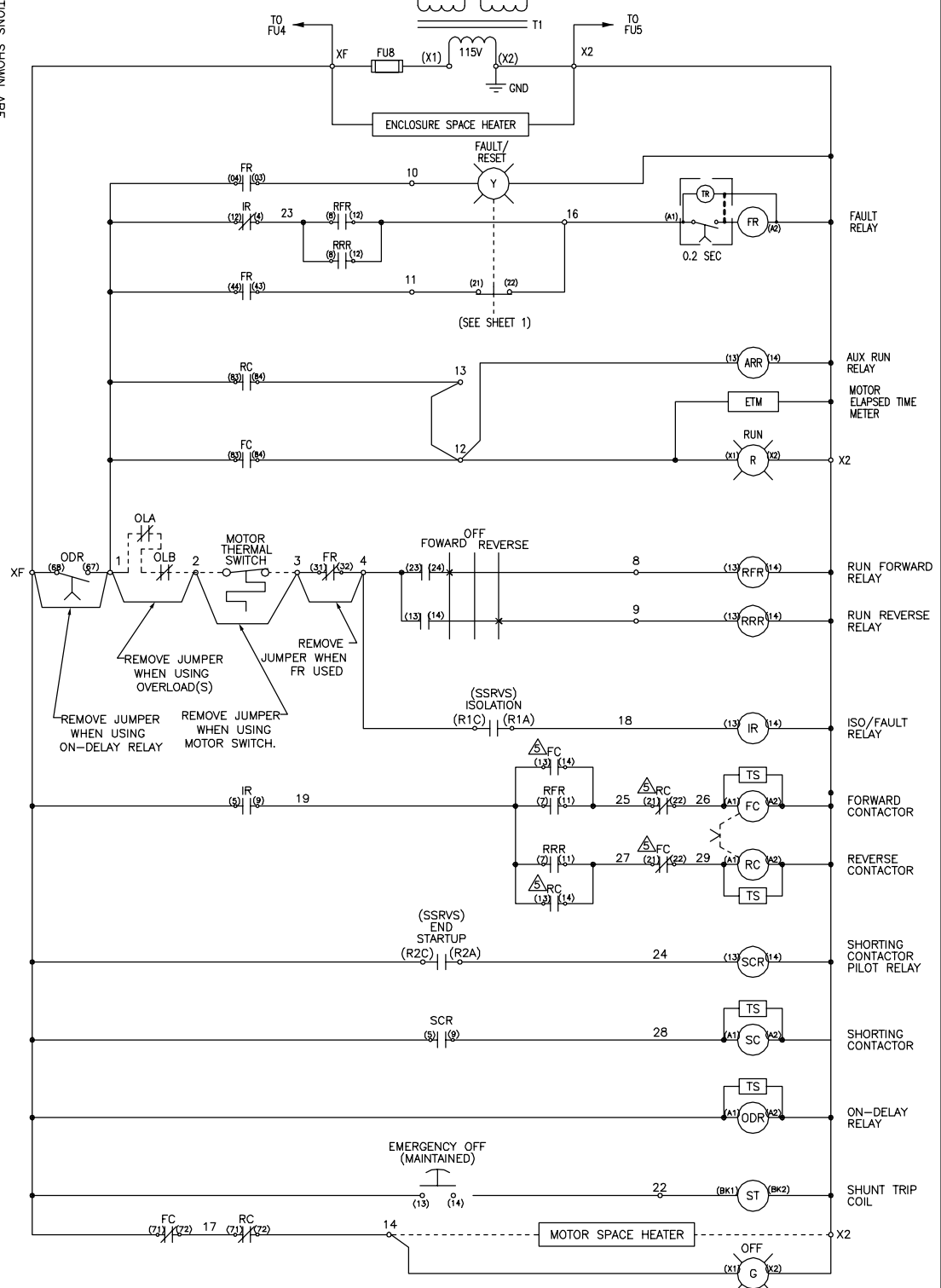
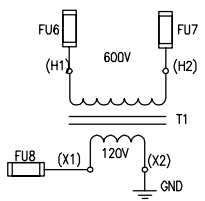


NOTE:
 CONTACT TERMINAL DESIGNATIONS SHOWN ARE FOR THE FOLLOWING HP RANGES:
 208V: 3-40 HP, 230V: 5-50 HP,
 480V: 10-100 HP & 575V: 15-125 HP
 FOR LARGER HP DEVICES REPLACE TERMINAL DESIGNATIONS (13) & (14) WITH (53) & (54) AND (21) & (22) WITH (61) & (62)

208V TRANSFORMER DETAIL



600V TRANSFORMER DETAIL



ENCLOSED 48 SOFT START 115V CONTROL SEQUENCE REVERSING W/ ISOLATION CONTACTOR OR SHUNT TRIP



DWG# 8636-752-2