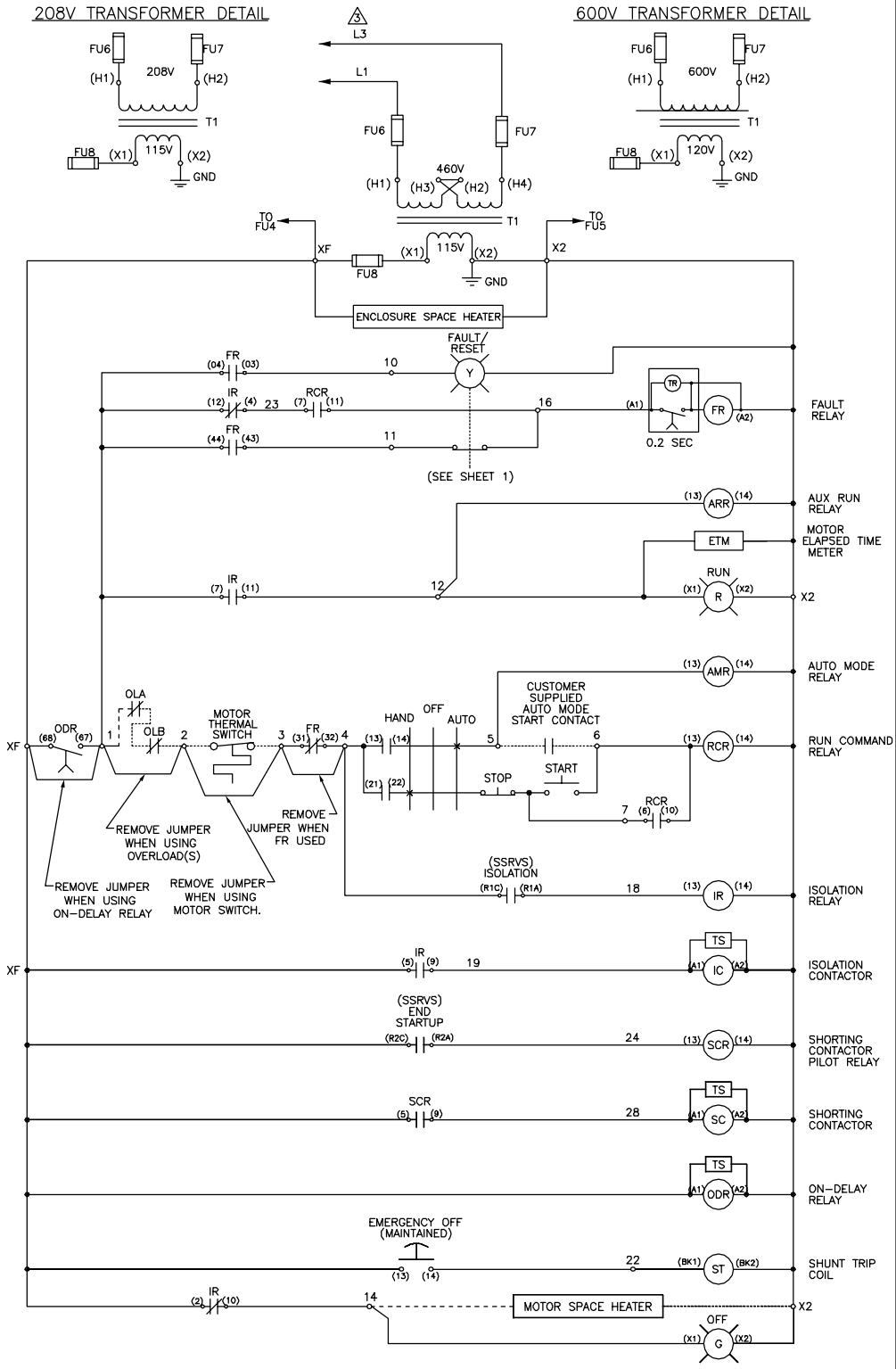
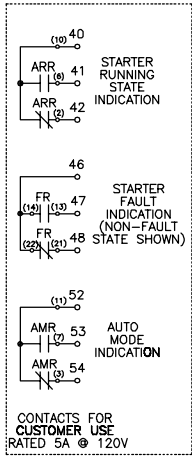


208V TRANSFORMER DETAIL

600V TRANSFORMER DETAIL



ENCLOSED 48 SOFT START
115V CONTROL SEQUENCE
NON-REVERSING W/ ISOLATION CONTACTOR

DWG# 8636-750-2

