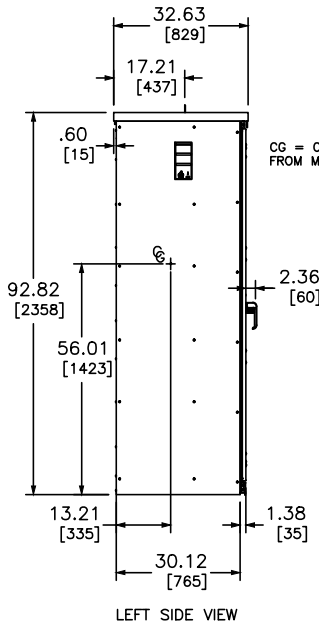
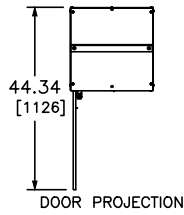
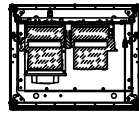
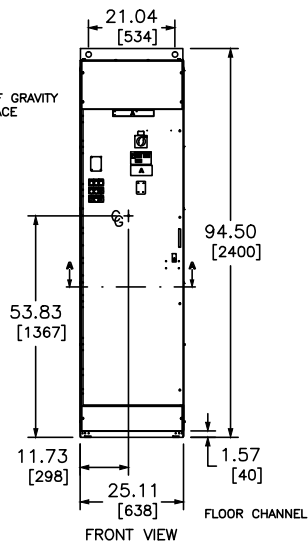
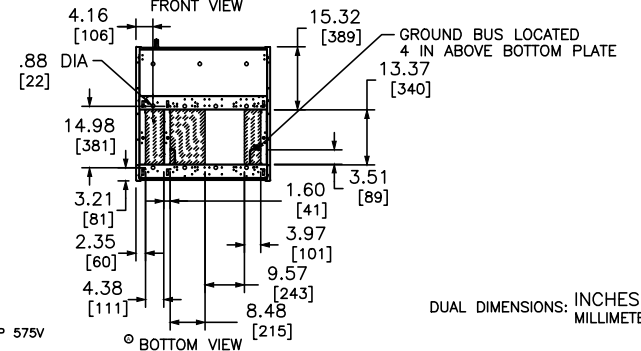
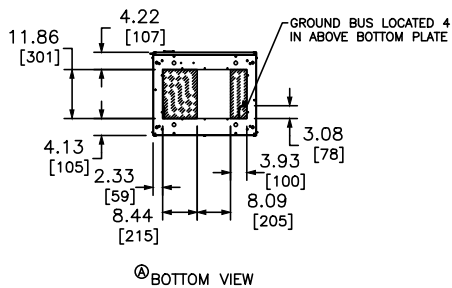
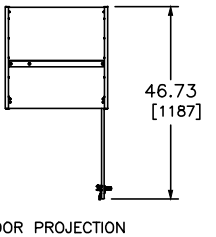
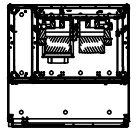
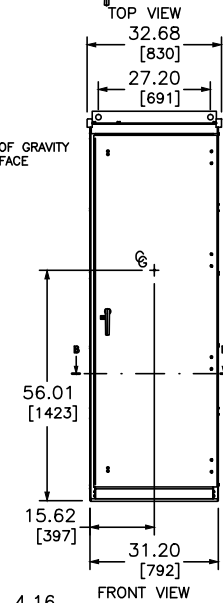
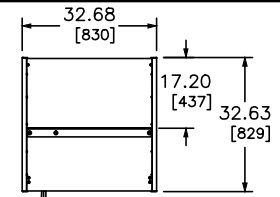


CG = CENTER OF GRAVITY FROM MTG SURFACE



CG = CENTER OF GRAVITY FROM MTG SURFACE



DUAL DIMENSIONS: INCHES MILLIMETERS

SIZE D FF ENCLOSURE  
TYPE 3R 50-100HP 208V, 60-125HP 230V, 125-250HP 460V, 150-300HP 575V

OUTLINE DRAWING SIZE D FF  
ATS22 ENCLOSURE



DWG# 80463-223-00  
NO.

SIZE D FF ENCLOSURE  
TYPE 1/12K 60-125HP 208V, 75-150HP 230V, 150-300HP 460V, 200-350HP 575V