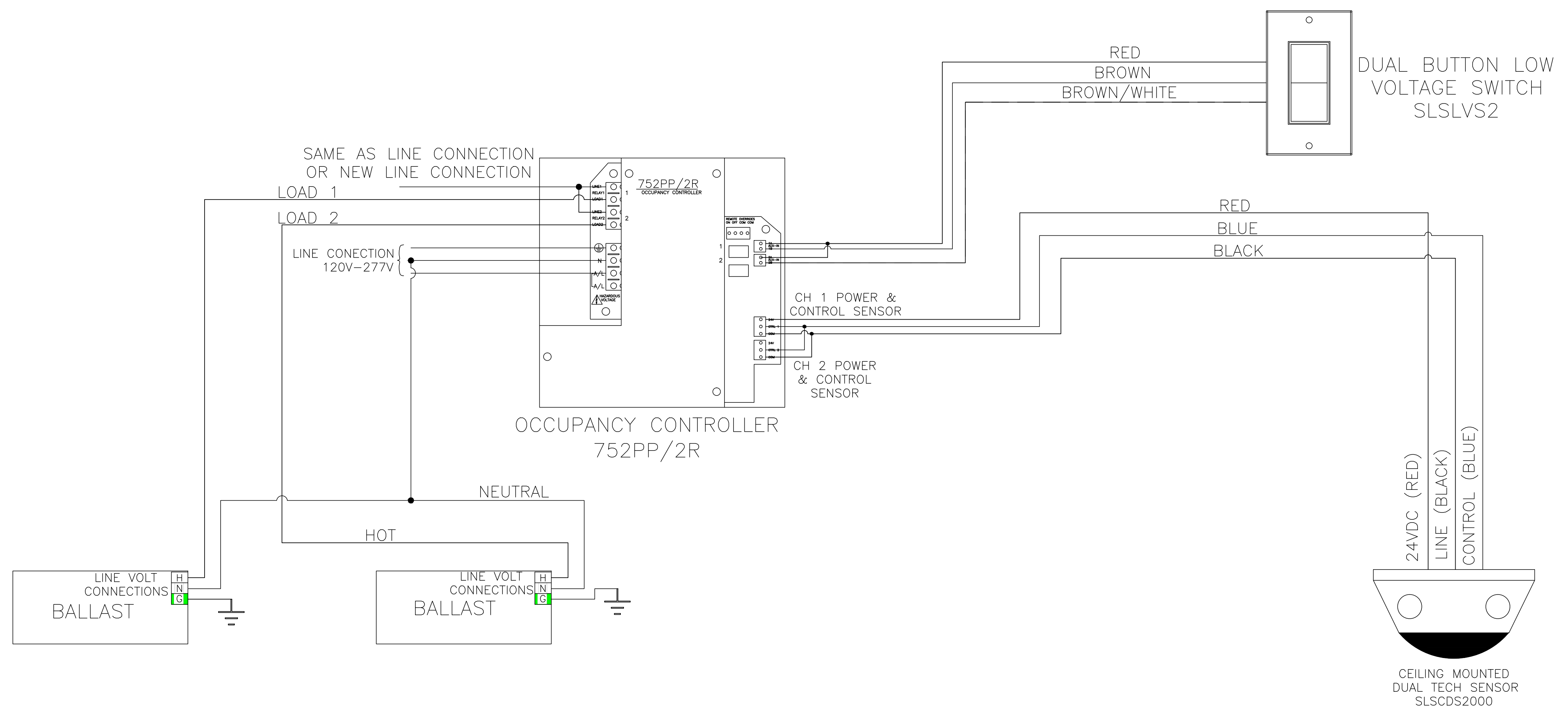


REV	DESCRIPTION	BY	DATE								
-	----	---	---/---/---	-	----	--	---/---/---	-	----	--	---/---/---

SENSOR PART NUMBER	SENSOR DESCRIPTION
SLSCPS1000	CEILING MOUNT PIR MOTION SENSOR, 360° DETECTION PATTERN, ISOLATED RELAY
SLSCUS2000	CEILING MOUNT ULTRASONIC MOTION SENSOR, 360° DETECTION PATTERN, ISOLATED RELAY
SLSCDS2000	CEILING MOUNT DUAL-TECH (PIR AND ULTRASONIC) MOTION SENSOR, 360° DETECTION PATTERN, ISOLATED RELAY
SLSCUS800	CEILING MOUNT ULTRASONIC MOTION SENSOR, 180° DETECTION PATTERN, ISOLATED RELAY
SLSCDS800	CEILING MOUNT DUAL-TECH (PIR AND ULTRASONIC) MOTION SENSOR, 180° DETECTION PATTERN, ISOLATED RELAY
SLSWPS1500	WALL MOUNT PIR MOTION SENSOR, 110° DETECTION PATTERN, ISOLATED RELAY
SLSWUS1500	WALL MOUNT ULTRASONIC MOTION SENSOR, ISOLATED RELAY
SLSWDS1500	WALL MOUNT DUAL-TECH (PIR AND ULTRASONIC) MOTION



- NOTES:
- 1: SELECT THE OCCUPANCY SENSOR TECHNOLOGY AND MOUNTING TYPE ACCORDING TO COVERAGE PATTERN NEEDED FOR AREA.
 2. THE OCCUPANCY CONTROLLER CAN HANDLE UP TO 7 DUAL-TECH, 8 ULTRA SONIC, 12 PIR CEILING OR WALL MOUNTED SENSORS.
 3. REFER TO INSTRUCTION BULLETIN FOR ALL LINE VOLTAGE AND TERMINAL CONNECTIONS.
 4. LOAD 1 IS 0-10V CONTINUOUS DIMMING AND ON/OFF CONTROL.
 5. LOAD 2 IS ON/OFF CONTROL ONLY.

*FOR TECHNICAL ASSISTANCE CONTACT SCHNEIDER ELECTRIC AT (855) 237-0788

EMAIL:
 Quotations: Lightingcontrol.quotations@us.schneider-electric.com
 Tech Support: Lightingcontrol.support@us.schneider-electric.com

NOTICE:

THIS DOCUMENT DOES NOT TAKE THE PLACE OF THE INSTRUCTION BULLETIN THAT IS PROVIDED WITH THE DEVICE. ANY ADDITIONAL INFORMATION CAN BE FOUND IN THE INSTRUCTION BULLETIN.

JOB NAME:	No Network_No Daylighting_No Dimming_Bi-Level
JOB LOCATION:	---
DRAWN BY:	JOHN PURVIANCE
ENGR:	HEATH MARTIN
DATE:	NOVEMBER 15, 2013
DRAWING STATUS:	---

EQUIPMENT DESIGNATION:	---
EQUIPMENT TYPE:	---
DRAWING TYPE:	752PP2R_No NET_No DAY_No DIM_Bi-Level
DWG#	752PP2R-1009
PG1	OF1
REV	---