

**TRANSFORMER ENCLOSURE**

NEMA 3R NON-WALK-IN CONSTRUCTION

**NOMINAL DIMENSIONS:**

WIDTH 4'-1" OUTSIDE WALLS  
 LENGTH 5'-8" OUTSIDE WALLS  
 CEILING 7'-0" CEILING

**OVERALL SHIPPING DIMENSIONS AND WEIGHT ESTIMATES:**

WIDTH 5'-4 1/8"  
 LENGTH 5'-8 5/8"  
 HEIGHT 7'-5"

ENCLOSURE WEIGHT 550 LBS  
 EQUIPMENT WEIGHT 0 LBS  
 TOTAL WEIGHT 550 LBS

**DESIGN DATA:**

AREA CLASSIFICATION - GENERAL PURPOSE NON-HAZARDOUS  
 SEISMIC - PER INTERNATIONAL BUILDING CODE (LATEST REVISION), IMPORTANT FACTOR =1

**MATERIAL:**

12 GA 304 STAINLESS STEEL

**COLORS:**

EXTERIOR SURFACES - BRUSHED FINISH  
 INTERIOR SURFACES - MILLED FINISH

**DOORS:**

EQUIPMENT DOOR - (1) REQUIRED 304 STAINLESS  
 NEMA 3R RATING  
 STAINLESS STEEL PAD LOCKABLE VAULT HANDLE  
 FULL GASKETING  
 HOLD OPEN DEVICE

**ACCESSORIES:**

SQUARE D SIGN - (1) REQUIRED  
 12" X 12" INTAKE LOUVER W/ALUMINUM MESH FILTER - (1) REQUIRED RELIABLE # ZB2-45FF (12"X12")  
 304 STAINLESS STEEL LOUVER HOOD - (1) REQUIRED  
 6" H 304 STAINLESS STEEL ADJUSTABLE FLOOR STAND KIT - (1) REQUIRED  
 LIFTING EYE - (2) REQUIRED

**NOTES:**

WHEN HANDLING ENCLOSURE ALL LIFTING EYES SHOULD BE USED.  
 OUR DESIGN DOES NOT GUARANTEE COMPLIANCE WITH ANY REGIONAL, STATE, OR LOCAL REQUIREMENTS.  
 THE GOVERNING BASIS FOR STRUCTURAL DESIGN SHALL BE THE INTERNATIONAL BUILDING CODE.

DUAL DIMENSIONS, INCHES  
 MILLIMETERS

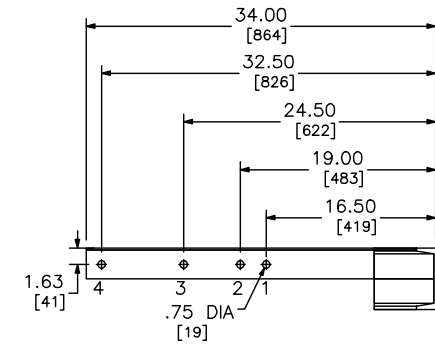
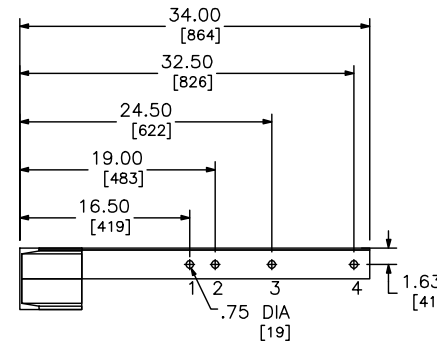
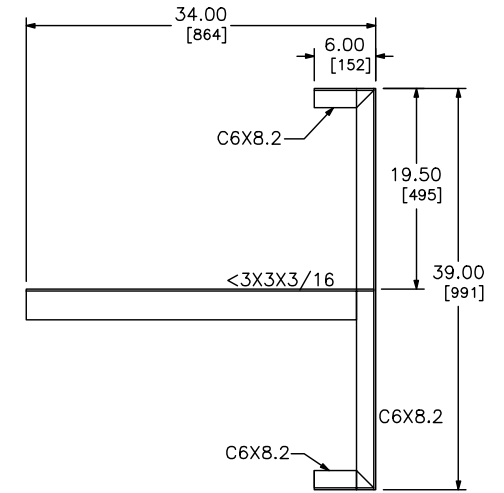
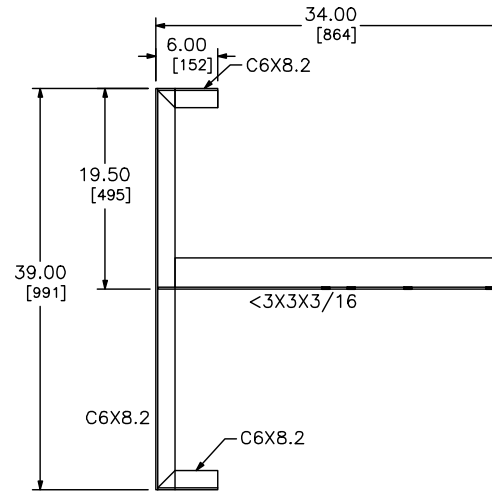
POWER ZONE CENTER  
 TRANSFORMER ENCLOSURE  
 28D, 29D, 30D AND 38D



DWG# 7400SS3R-003 PG 1  
 NO.

ENCLOSURE	BOLT #1 LEFT SIDE LOCATION	BOLT #1 RIGHT SIDE LOCATION	BOLT #2 LEFT SIDE LOCATION	BOLT #2 RIGHT SIDE LOCATION	LENGTH
28D, 29D	3	4	4	3	4'-9"
30D	1	4	4	1	4'-1"
38D	2	4	4	2	4'-3 1/2"

MATERIAL  
 LEFT SIDE FLOOR STAND - (1) REQUIRED  
 RIGHT SIDE FLOOR STAND - (1) REQUIRED  
 5/8" X 2" STAINLESS STEEL BOLTS - (2) REQUIRED  
 5/8" STAINLESS STEEL FLAT WASHERS - (4) REQUIRED  
 5/8" STAINLESS STEEL LOCK WASHERS - (2) REQUIRED  
 5/8" STAINLESS STEEL NUTS - (2) REQUIRED

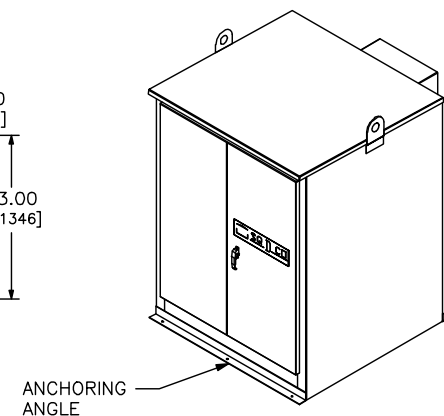
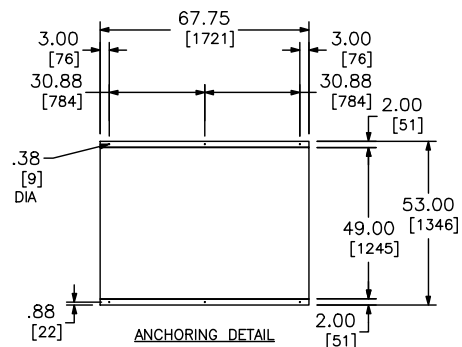
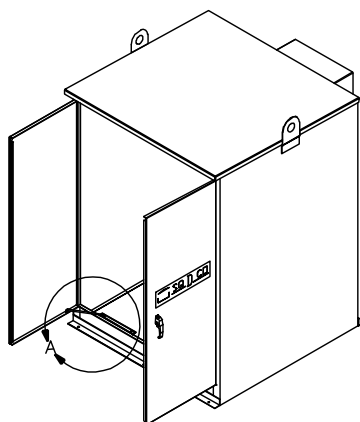
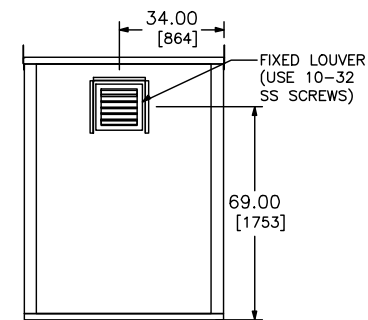
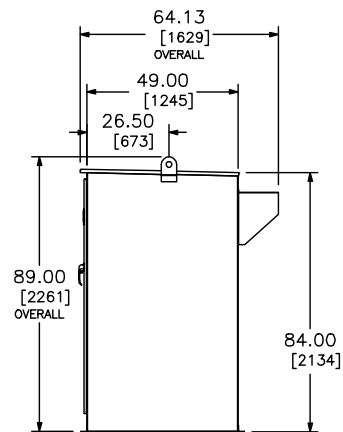
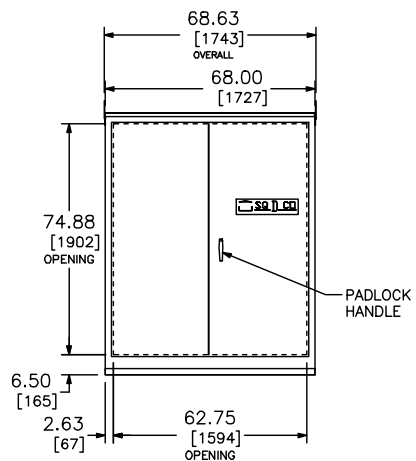
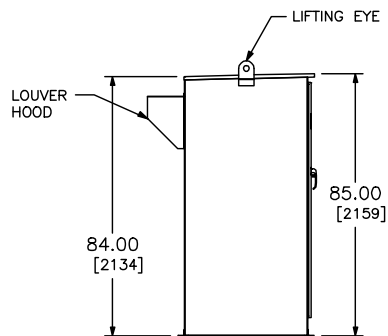
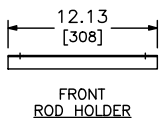
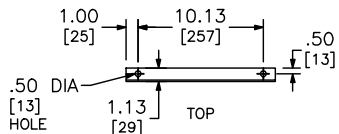
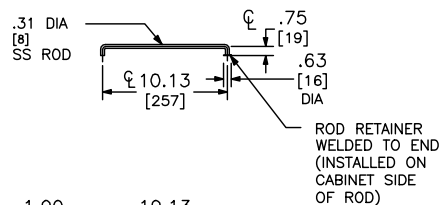
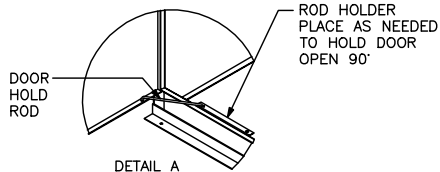


DUAL DIMENSIONS: INCHES  
MILLIMETERS

POWER ZONE CENTER  
 TRANSFORMER ENCLOSURE  
 28D, 29D, 30D AND 38D



DWG# 7400SS3R-003 PG 2  
 NO.



DUAL DIMENSIONS: INCHES  
MILLIMETERS

POWER ZONE CENTER  
TRANSFORMER ENCLOSURE  
28D, 29D, 30D AND 38D



DWG# 7400SS3R-003 PG 3  
NO.