

DUAL DIMENSIONS: INCHES
MILLIMETERS

TRANSFORMER ENCLOSURE

NEMA 3R NON-WALK-IN CONSTRUCTION

NOMINAL DIMENSIONS:
 WIDTH 3'-9" OUTSIDE WALLS
 LENGTH 4'-6" OUTSIDE WALLS
 CEILING 6'-0" CEILING

OVERALL SHIPPING DIMENSIONS AND WEIGHT ESTIMATES:

WIDTH 5'-0 1/8"
 LENGTH 4'-6 5/8"
 HEIGHT 6'-0"
 ENCLOSURE WEIGHT 500 LBS
 EQUIPMENT WEIGHT 0 LBS
 TOTAL WEIGHT 500 LBS

DESIGN DATA:

AREA CLASSIFICATION - GENERAL PURPOSE NON-HAZARDOUS
 SEISMIC - PER INTERNATIONAL BUILDING CODE (LATEST REVISION), IMPORTANT FACTOR =1

MATERIAL:
 12 GA 304 STAINLESS STEEL

COLORS:
 EXTERIOR SURFACES - BRUSHED FINISH
 INTERIOR SURFACES - MILLED FINISH

DOORS:
 EQUIPMENT DOOR - (1) REQUIRED 304 STAINLESS
 NEMA 3R RATING
 STAINLESS STEEL PAD LOCKABLE VAULT HANDLE
 FULL GASKETING
 HOLD OPEN DEVICE

ACCESSORIES:
 SQUARE D SIGN - (1) REQUIRED
 12" X 12" INTAKE LOUVER W/ALUMINUM MESH FILTER - (1) REQUIRED RELIABLE # ZB2-45FF (12"X12")
 304 STAINLESS STEEL LOUVER HOOD - (1) REQUIRED
 6" H 304 STAINLESS STEEL ADJUSTABLE FLOOR STAND KIT - (1) REQUIRED
 LIFTING EYE - (2) REQUIRED

NOTES:
 WHEN HANDLING ENCLOSURE ALL LIFTING EYES SHOULD BE USED.
 OUR DESIGN DOES NOT GUARANTEE COMPLIANCE WITH ANY REGIONAL, STATE, OR LOCAL REQUIREMENTS.
 THE GOVERNING BASIS FOR STRUCTURAL DESIGN SHALL BE THE INTERNATIONAL BUILDING CODE.

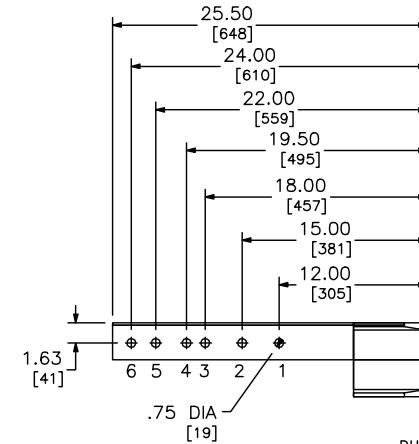
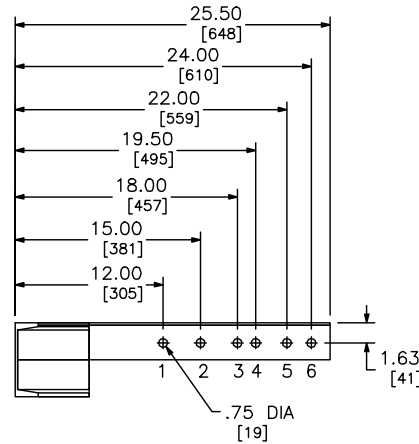
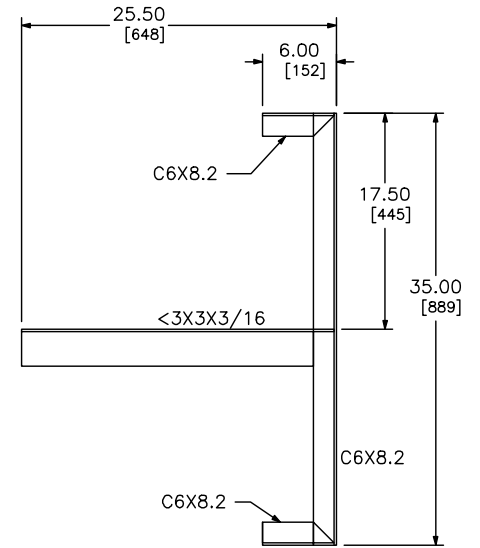
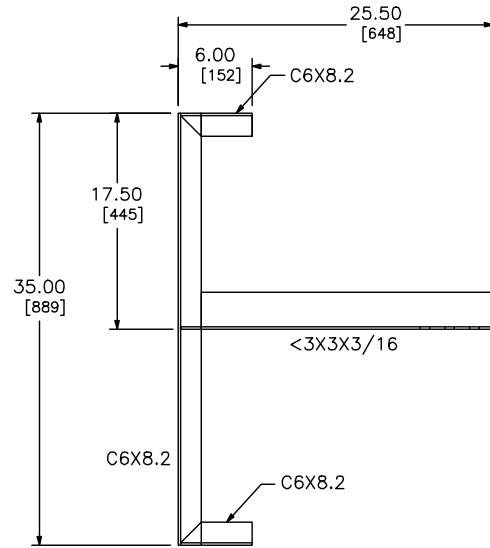
POWER ZONE CENTER
 TRANSFORMER ENCLOSURE
 24D, 25D, 26D, 36D AND 37D



DWG# 7400SS3R-002 PG 1
 NO.

ENCLOSURE	BOLT #1 LEFT SIDE LOCATION	BOLT #1 RIGHT SIDE LOCATION	BOLT #2 LEFT SIDE LOCATION	BOLT #2 RIGHT SIDE LOCATION	LENGTH
24D	1	6	6	1	3'-0"
25D, 28D	3	6	6	3	3'-6"
36D	2	5	5	2	3'-1"
37D	4	5	5	4	3'-5 1/2"

MATERIAL
LEFT SIDE FLOOR STAND - (1) REQUIRED
RIGHT SIDE FLOOR STAND - (1) REQUIRED
5/8" X 2" STAINLESS STEEL BOLTS - (2) REQUIRED
5/8" STAINLESS STEEL FLAT WASHERS - (4) REQUIRED
5/8" STAINLESS STEEL LOCK WASHERS - (2) REQUIRED
5/8" STAINLESS STEEL NUTS - (2) REQUIRED

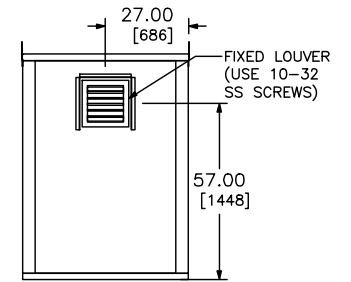
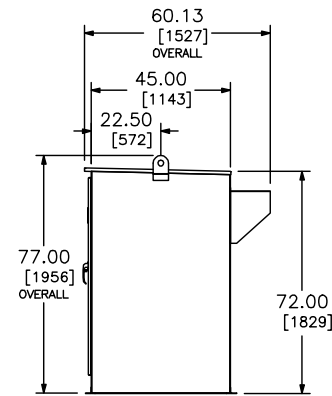
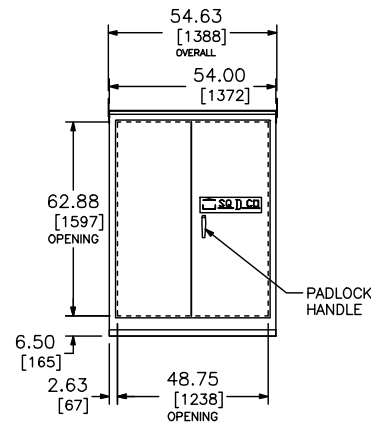
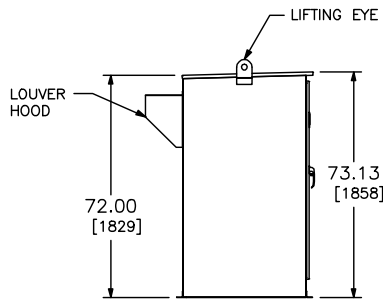
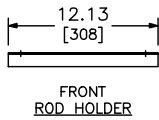
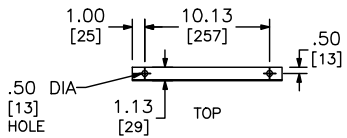
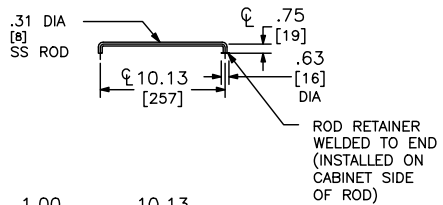
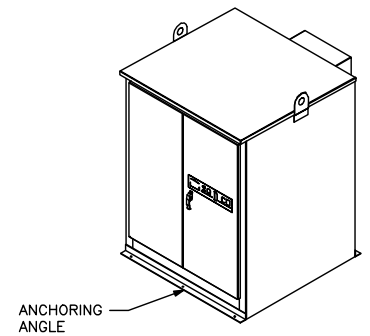
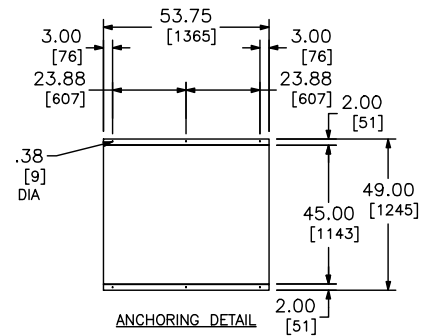
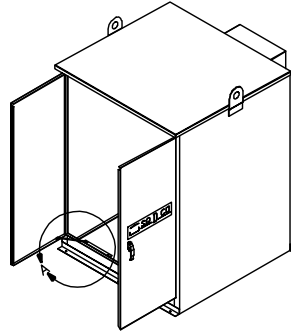
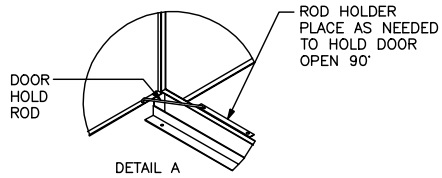


DUAL DIMENSIONS: INCHES
MILLIMETERS

POWER ZONE CENTER
TRANSFORMER ENCLOSURE
24D, 25D, 26D, 36D AND 37D



DWG# 7400SS3R-002 PG 2
NO. 7400SS3R-002-20



DUAL DIMENSIONS: INCHES
MILLIMETERS

POWER ZONE CENTER
TRANSFORMER ENCLOSURE
24D, 25D, 26D, 36D AND 37D

SQUARE D
by Schneider Electric

DWG# 7400SS3R-002 PG 3
NO.