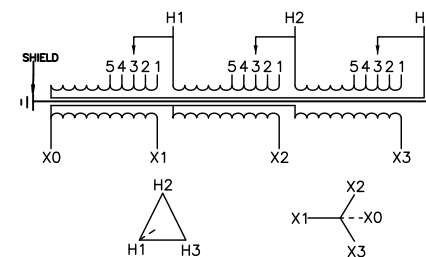


IN EACH PHASE CONNECT TO TAPS	
PRIMARY VOLTS	2-2.5% FCAN 2-2.5% FCBN
504	1
492	2
480	3
468	4
456	5



TRANSFORMER SPECIFICATIONS
 300 kVA 3Ø 60 HZ
 PRIMARY VOLTAGE 480 DELTA
 SECONDARY VOLTAGE 208Y/120
 115°C RISE ABOVE 40°C AMBIENT
 220°C INSULATION SYSTEM
 ALUMINUM WINDINGS
 APPROXIMATE WEIGHT: 2070 LBS
 GUARANTEED SOUND LEVEL: 55 dB
 EFFICIENCY @35%: 98.6% AVG. CONFORMS
 TO NEMA TP 1 - 2002 AND CSA C802.2
 K-FACTOR RATING 13

- NOTES:
 1) cULus LISTED (MEETING UL 1561 AND CSA C22.2)
 2) NEMA 2 VENTILATED ENCLOSURE
 ENCLOSURE RATED FOR NEMA 3R WHEN OPTIONAL
 WEATHERSHIELD ACCESSORY IS INSTALLED.
 3) MINIMUM CLEARANCE OF 3.00[76] BETWEEN VENT
 OPENINGS, WALL OR OTHER OBSTRUCTION
 4) SHADED AREAS DENOTE CUSTOMER CONDUIT
 ENTRANCE LOCATIONS, AVAILABLE BOTH SIDES
 AND BOTTOM

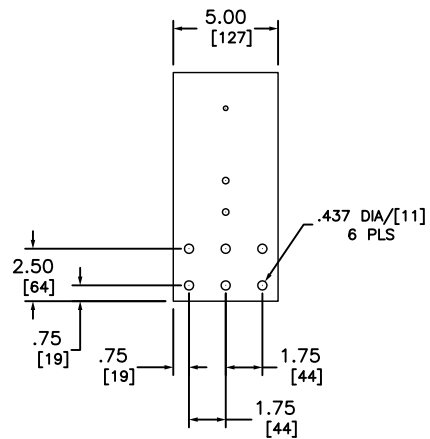
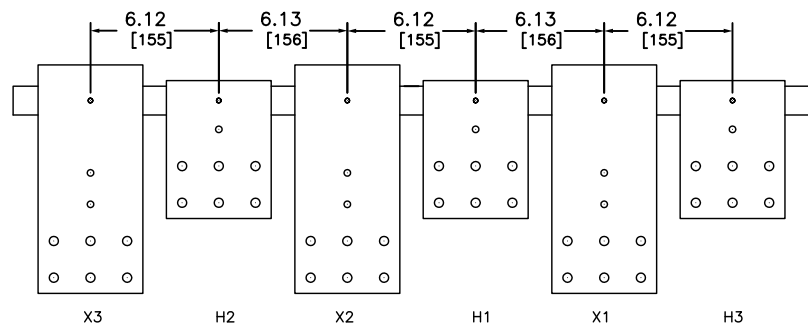
SEISMIC QUALIFICATION:
 TO BE COMPLIANT WITH THE SEISMIC REQUIREMENTS OF ASCE/SEI 7, THIS
 UNIT HAS BEEN QUALIFIED BY SHAKE TABLE TESTING THROUGH SELF
 CERTIFICATION TO ICC ES AC156. CONTACT YOUR LOCAL SCHNEIDER
 ELECTRIC/SQUARE D REPRESENTATIVE FOR RELATED QUESTIONS.

DUAL DIMENSIONS: INCHES
 MILLIMETERS

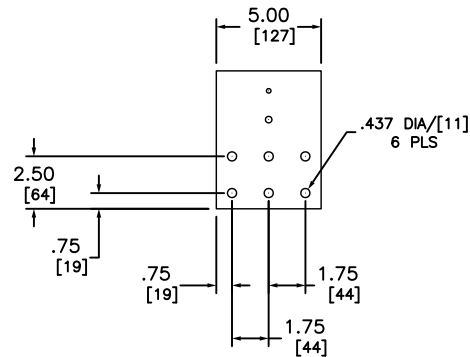
LOW VOLTAGE ENERGY EFFICIENT, TP1
 NON-LINEAR, K RATED, DRY-TYPE TRANSFORMER
 CATALOG NO EE300T68HFISNLP
 3 PHASE, 300kVA, AL
 PRIMARY 480 DELTA ,SECONDARY 208Y/120



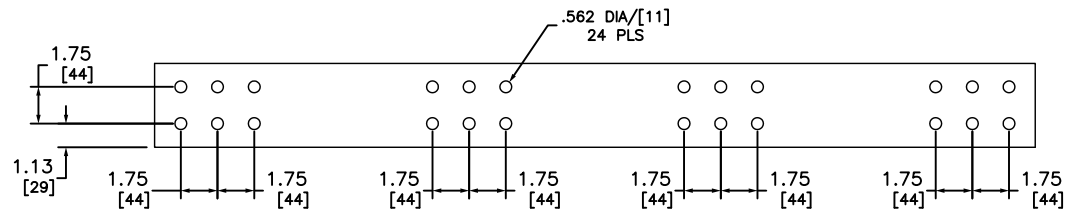
DWG# 6312-0664
 No.



X TERMINAL DETAIL



H TERMINAL DETAIL



XO TERMINAL DETAIL

DUAL DIMENSIONS: INCHES
MILLIMETERS

LOW VOLTAGE ENERGY EFFICIENT, TP1
NON-LINEAR, K RATED, DRY-TYPE TRANSFORMER
CATALOG NO EE300T68HFISNLP
3 PHASE, 300KVA, AL
PRIMARY 480 DELTA ,SECONDARY 208Y/120



DWG# 6312-0664
No.