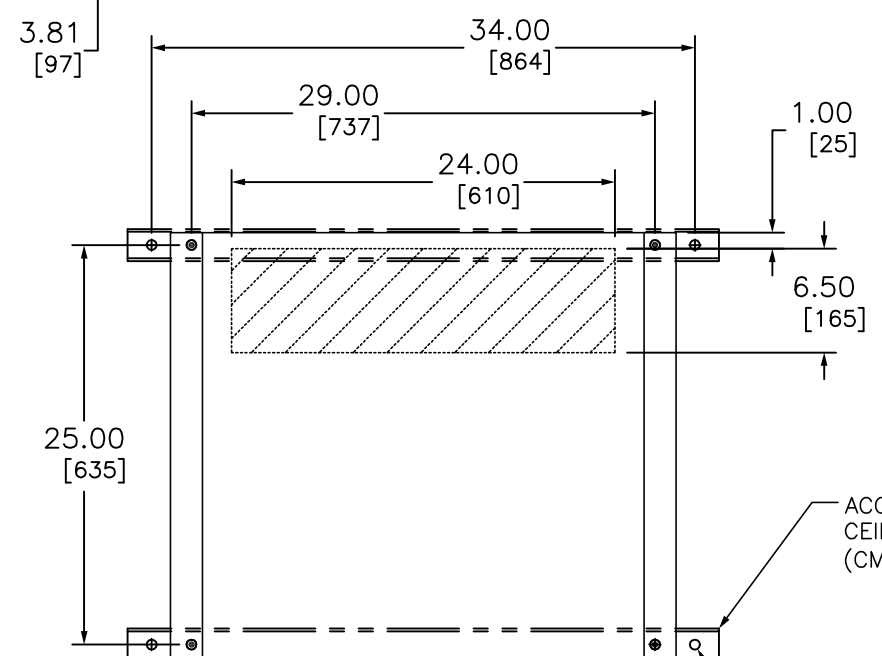
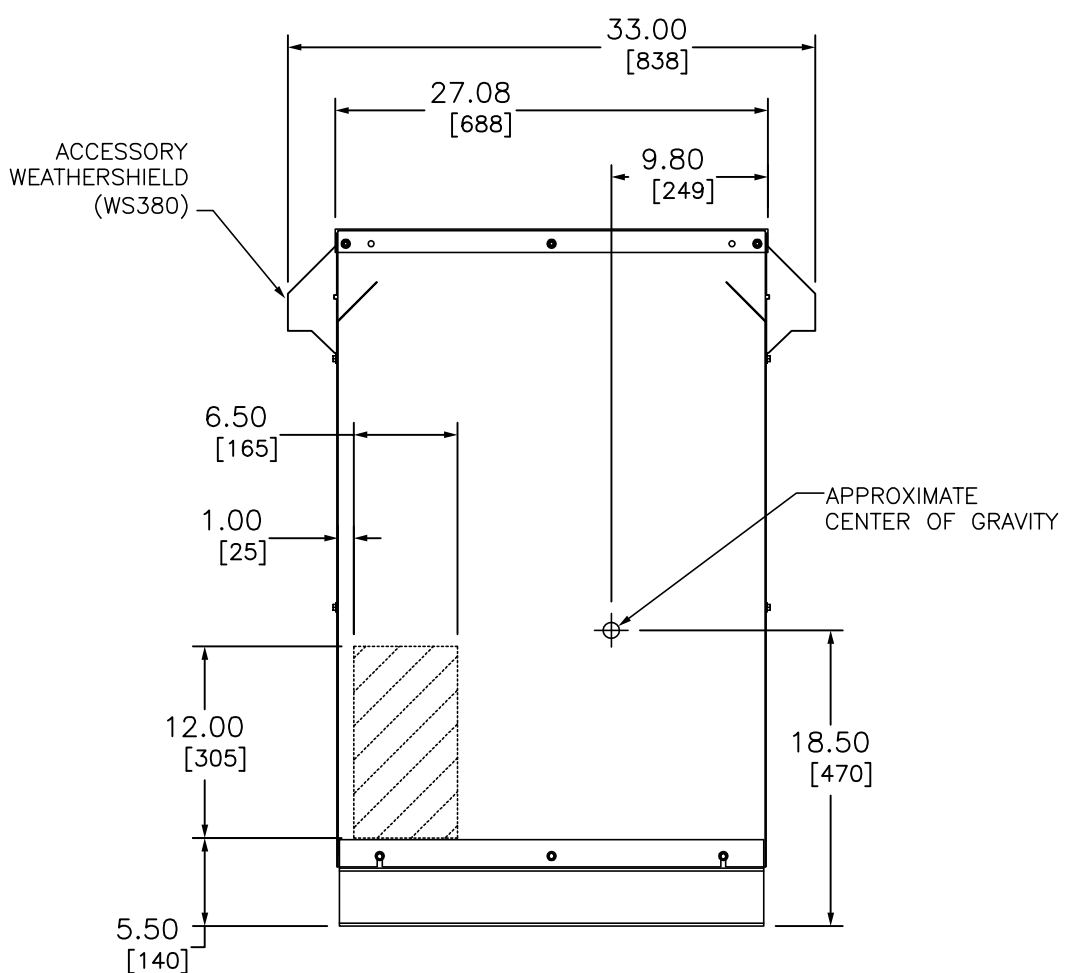
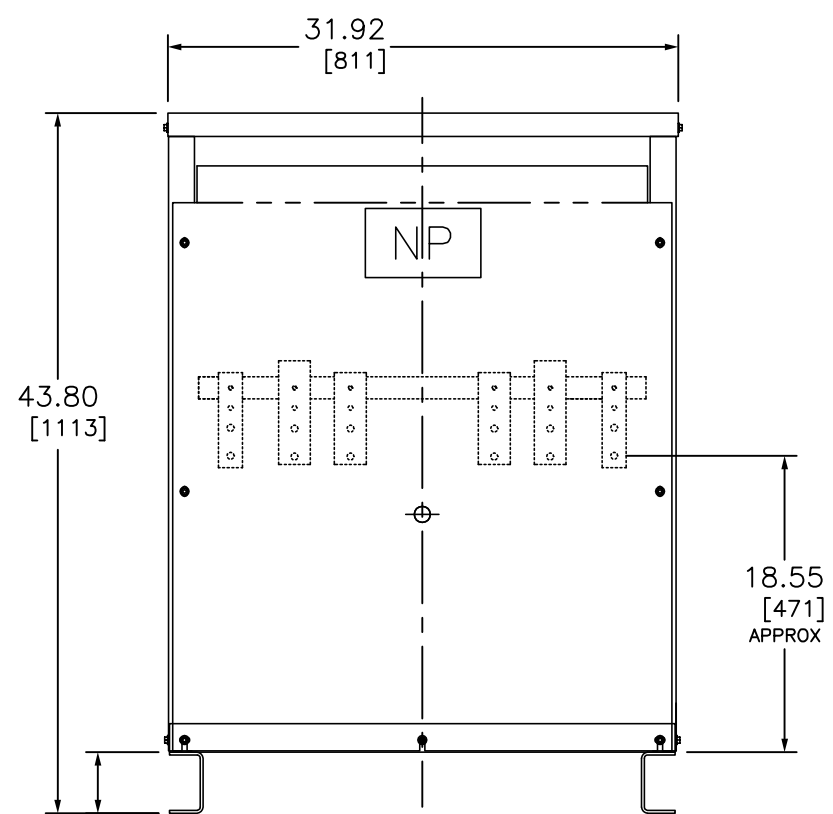


j:\vopdwg\Customer Drawings\Online Approval Drawings\EE100S3534H.DWG 11/14/2007 8:05:36 AM

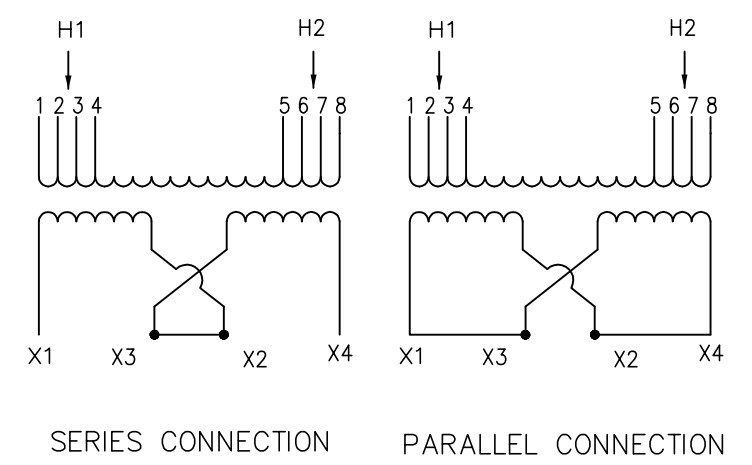


ACCESSORY CEILING MOUNTING BRACKETS (CMB380)

.63 DIA [16] (4 PLS)

SEISMIC QUALIFICATION:  
TO BE COMPLIANT WITH THE SEISMIC REQUIREMENTS OF ASCE/SEI 7, THIS UNIT HAS BEEN QUALIFIED BY SHAKE TABLE TESTING THROUGH SELF CERTIFICATION TO ICC ES AC156. CONTACT YOUR LOCAL SCHNEIDER ELECTRIC/SQUARE D REPRESENTATIVE FOR RELATED QUESTIONS.

CONNECT LINES TO H1 & H2	
PRIMARY VOLTS	CONNECT TO TAPS
630	1 AND 8
615	1 AND 7
600	2 AND 7
585	2 AND 6
570	3 AND 6
555	3 AND 5
540	4 AND 5



**TRANSFORMER SPECIFICATIONS:**  
 100 KVA 1Ø 60 HZ  
 PRIMARY VOLTAGE 600  
 SECONDARY VOLTAGE 120/240  
 150 °C RISE ABOVE 40°C AMBIENT  
 220 °C INSULATION SYSTEM  
 ALUMINUM WINDINGS  
 APPROXIMATE WEIGHT: 795 LBS  
 GUARANTEED SOUND LEVEL: 50 dB  
 EFFICIENCY @35%: 98.6% AVG. CONFORMS TO NEMA TP 1 - 2002 AND CSA C802.2

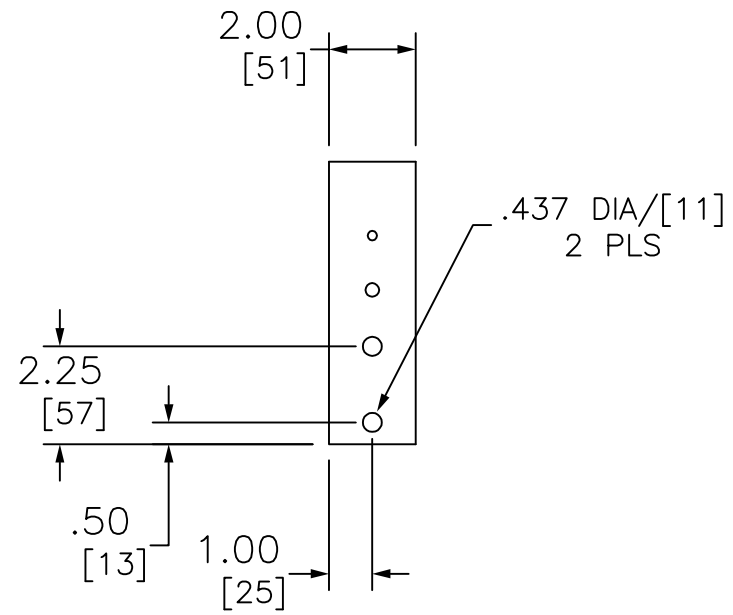
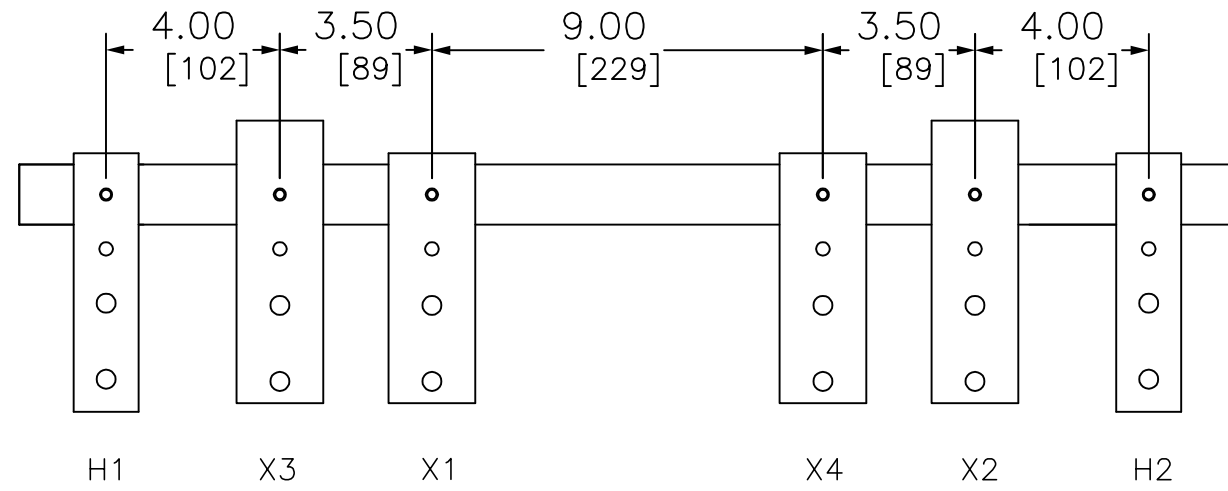
- NOTES:
- 1) cULus LISTED (MEETING UL 1561 AND CSA C22.2)
  - 2) NEMA 2 VENTILATED ENCLOSURE ENCLOSURE RATED FOR NEMA 3R WHEN OPTIONAL WEATHERSHIELD ACCESSORY IS INSTALLED.
  - 3) MINIMUM CLEARANCE OF 3.00[76] BETWEEN VENT OPENINGS, WALL OR OTHER OBSTRUCTION
  - 4) SHADED AREAS DENOTE CUSTOMER CONDUIT ENTRANCE LOCATIONS, AVAILABLE BOTH SIDES AND BOTTOM

DUAL DIMENSIONS: INCHES MILLIMETERS

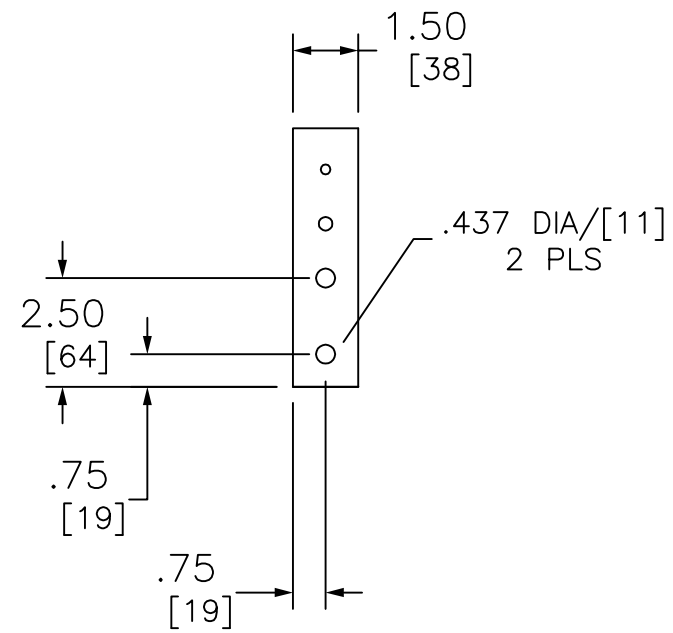
LOW VOLTAGE ENERGY EFFICIENT, TP1  
 DRY-TYPE TRANSFORMER  
 CATALOG NO EE100S3534H  
 1PHASE, 100KVA, AL  
 PRIMARY 600 ,SECONDARY 120/240



DWG# 6312-0221  
 NO.



X TERMINAL DETAIL



H TERMINAL DETAIL

DUAL DIMENSIONS: INCHES  
MILLIMETERS

LOW VOLTAGE ENERGY EFFICIENT, TP1  
 DRY-TYPE TRANSFORMER  
 CATALOG NO EE100S3534H  
 1 PHASE, 100kVA, AL  
 PRIMARY 600 ,SECONDARY 120/240



DWG# 6312-0221  
 NO.