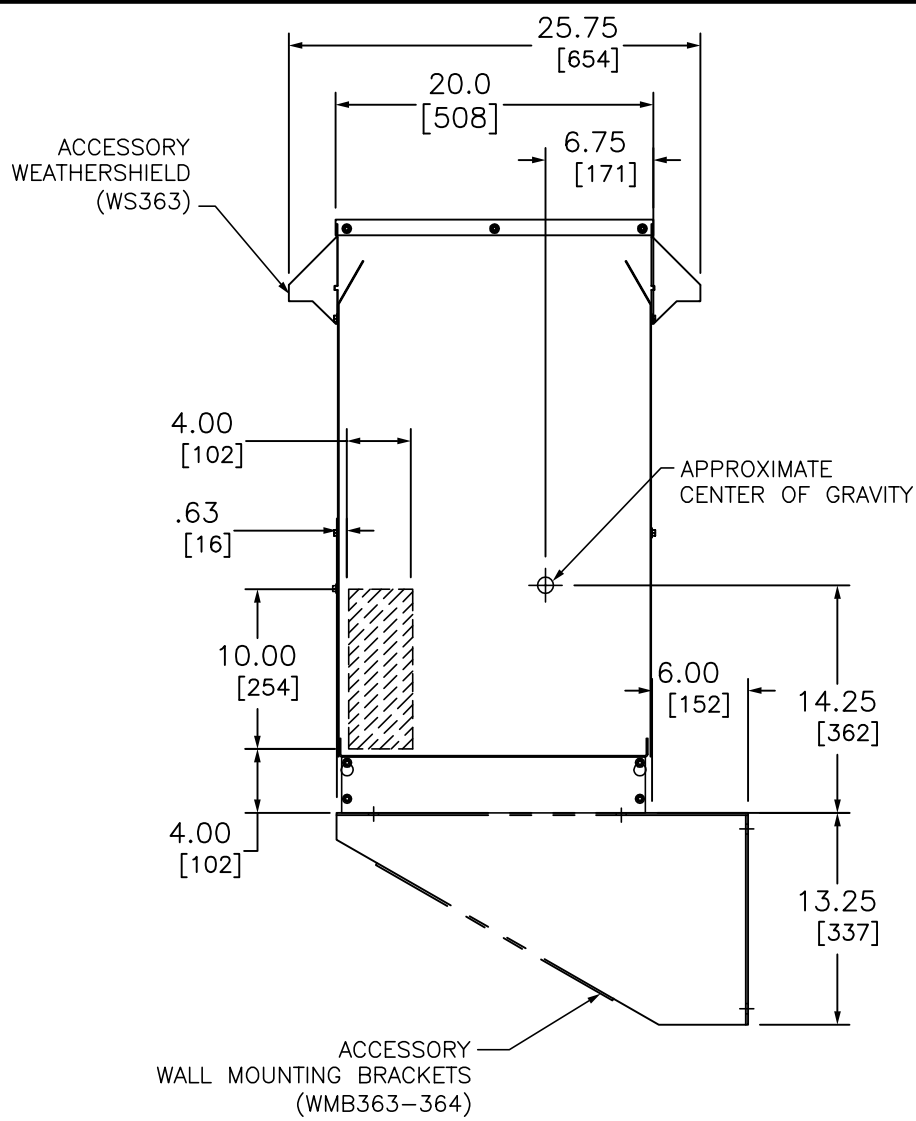
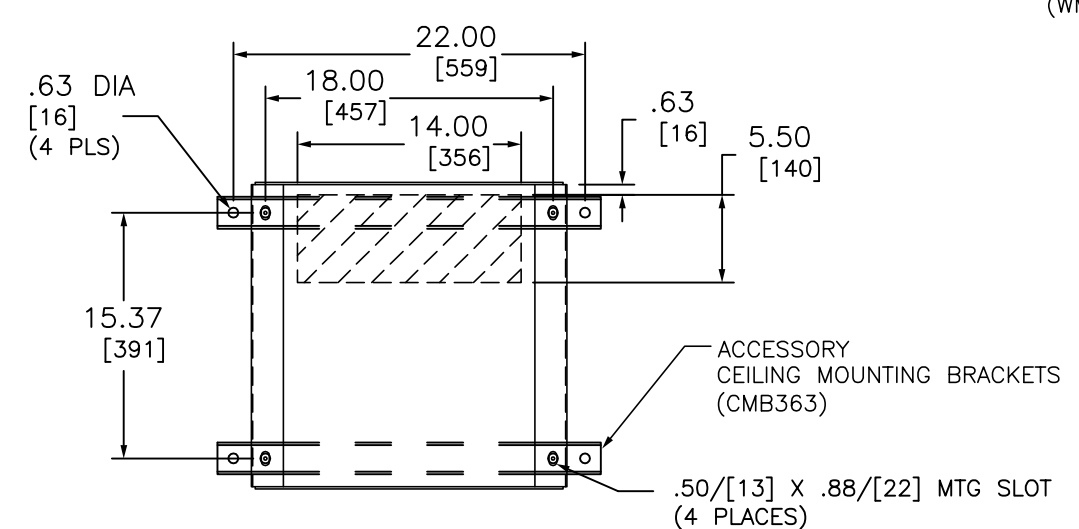
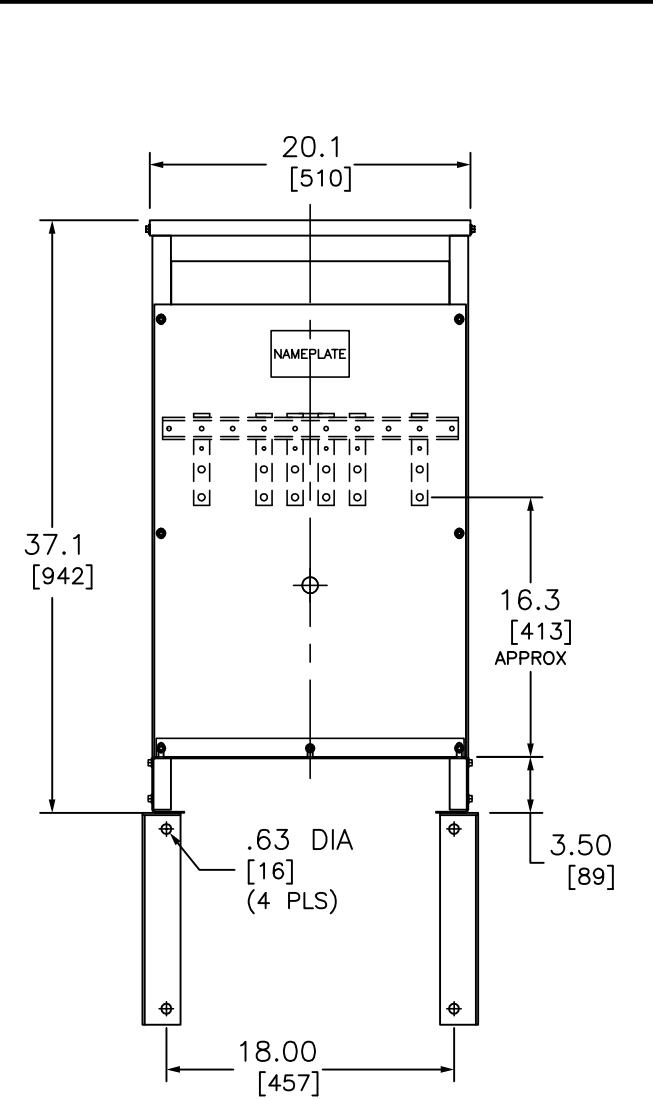
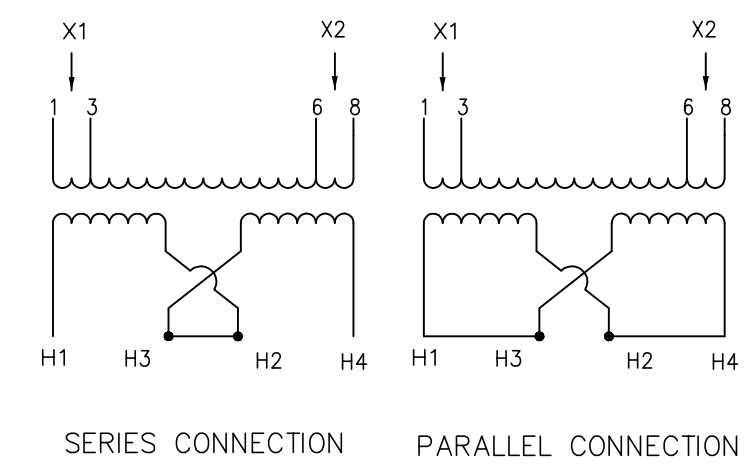


j:\vopdwg\Customer Drawings\Online Approval Drawings\EE50S60H.DWG 11/14/2007 8:25:06 AM



CONNECT LINES TO X1 & X2	
PRIMARY VOLTS	CONNECT TO TAPS
208	1 AND 4
198	2 AND 4
187	2 AND 3




**TRANSFORMER SPECIFICATIONS:**  
 50 KVA 1Ø 60 HZ  
 PRIMARY VOLTAGE 208  
 SECONDARY VOLTAGE 120/240  
 150°C RISE ABOVE 40°C AMBIENT  
 220°C INSULATION SYSTEM  
 ALUMINUM WINDINGS  
 APPROXIMATE WEIGHT: 420 LBS  
 GUARANTEED SOUND LEVEL: 45 dB  
 EFFICIENCY @35%: 98.3% AVG. CONFORMS TO NEMA TP 1 - 2002 AND CSA C802.2

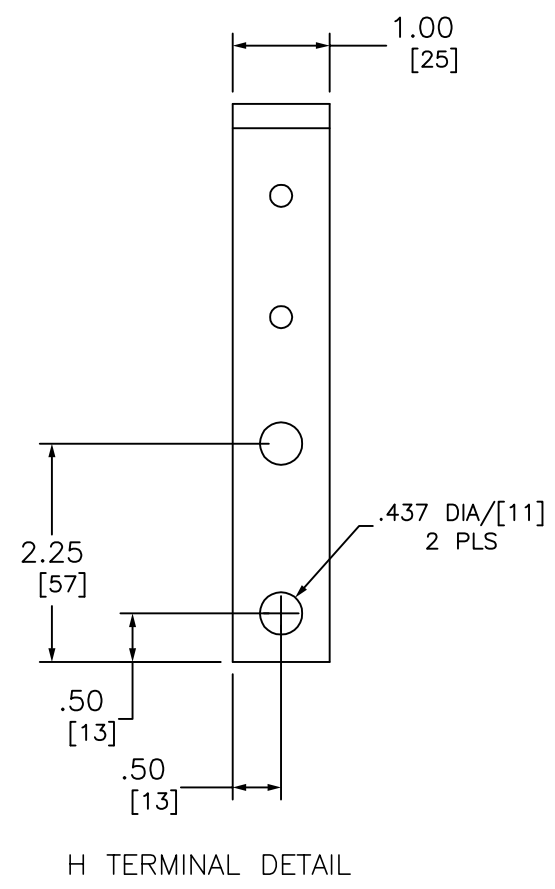
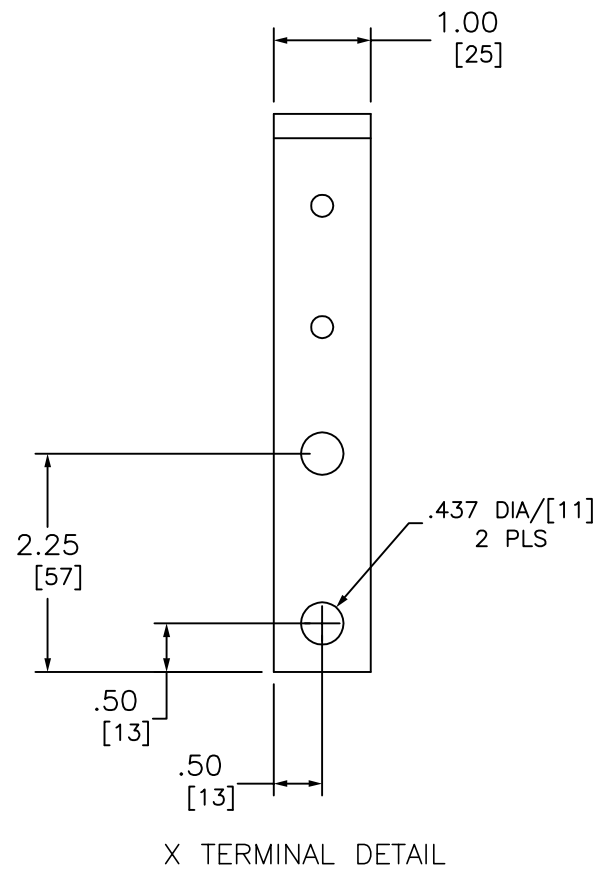
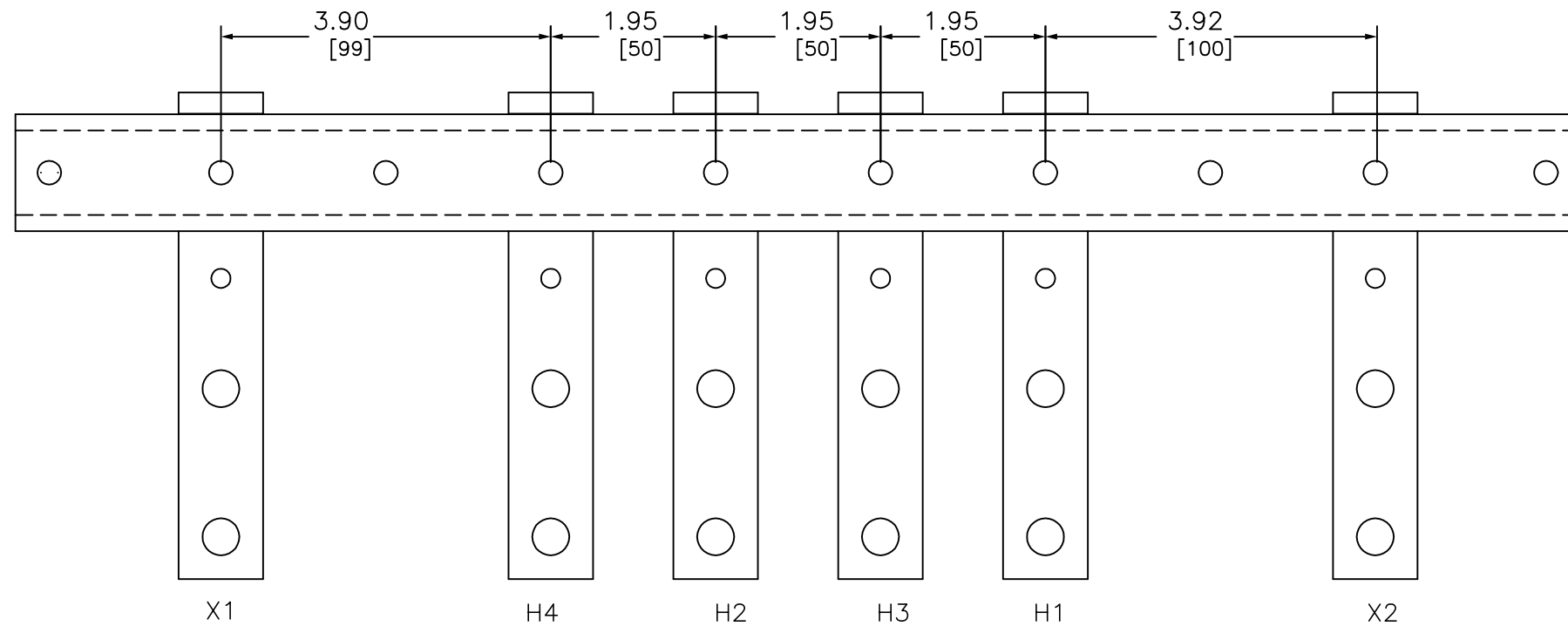
- NOTES:
- 1) cULus LISTED (MEETING UL 1561 AND CSA C22.2)
  - 2) NEMA 2 VENTILATED ENCLOSURE ENCLOSURE RATED FOR NEMA 3R WHEN OPTIONAL WEATHERSHIELD ACCESSORY IS INSTALLED.
  - 3) MINIMUM CLEARANCE OF 3.00[76] BETWEEN VENT OPENINGS, WALL OR OTHER OBSTRUCTION
  - 4) SHADED AREAS DENOTE CUSTOMER CONDUIT ENTRANCE LOCATIONS, AVAILABLE BOTH SIDES AND BOTTOM

SEISMIC QUALIFICATION:  
 TO BE COMPLIANT WITH THE SEISMIC REQUIREMENTS OF ASCE/SEI 7, THIS UNIT HAS BEEN QUALIFIED BY SHAKE TABLE TESTING THROUGH SELF CERTIFICATION TO ICC ES AC156. CONTACT YOUR LOCAL SCHNEIDER ELECTRIC/SQUARE D REPRESENTATIVE FOR RELATED QUESTIONS.

DUAL DIMENSIONS: INCHES MILLIMETERS

LOW VOLTAGE ENERGY EFFICIENT, TP1  
 DRY-TYPE TRANSFORMER  
 CATALOG NO EE50S60H  
 1PHASE, 50KVA, AL  
 PRIMARY 208 ,SECONDARY 120/240

  
 DWG# 6312-0209  
 NO.



DUAL DIMENSIONS: INCHES  
MILLIMETERS

LOW VOLTAGE ENERGY EFFICIENT, TP1  
 DRY-TYPE TRANSFORMER  
 CATALOG NO EE50S60H  
 1 PHASE, 50kVA, AL  
 PRIMARY 208 ,SECONDARY 120/240



DWG# 6312-0209  
 NO.