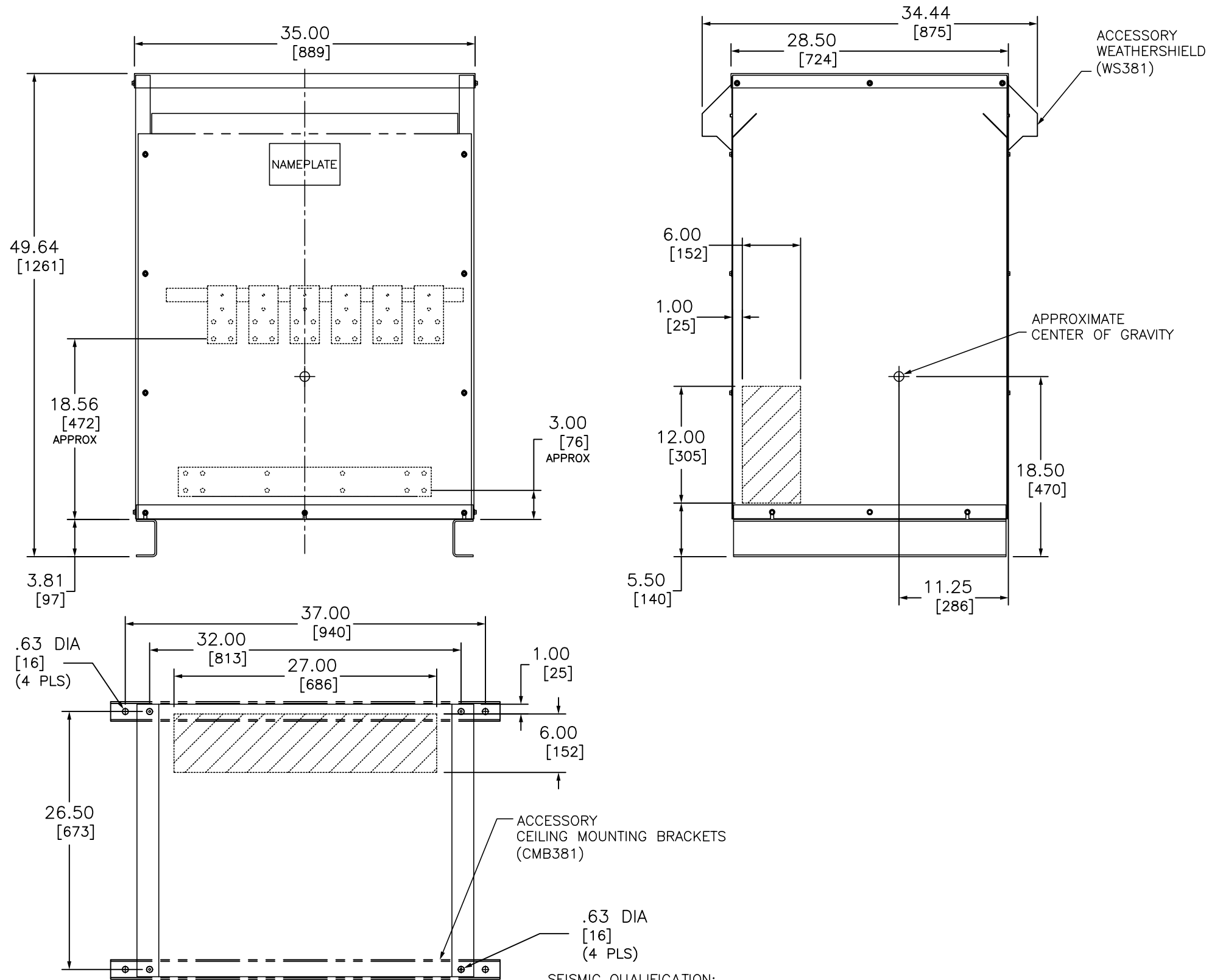
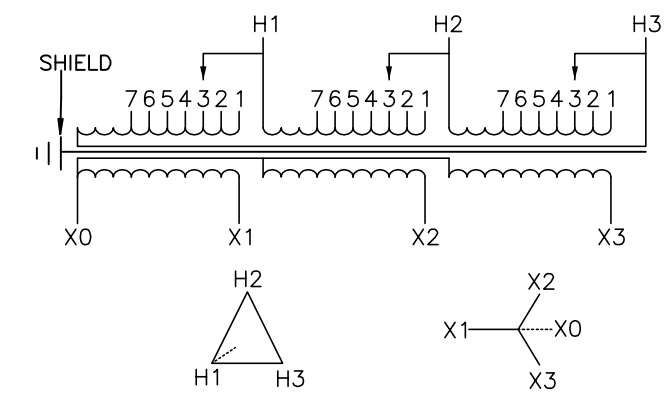


j:\vopdwg\customer Drawings\Online Approval Drawings\EE150T3HFISCUNLP.DWG 11/14/2007 8:09:49 AM



IN EACH PHASE CONNECT TO TAPS	
PRIMARY VOLTS	2-2.5% FCAN 4-2.5% FCBN
504	1
492	2
480	3
468	4
456	5
444	6
432	7



TRANSFORMER SPECIFICATIONS:
 150 KVA 3Ø 60 HZ
 PRIMARY VOLTAGE 480 DELTA
 SECONDARY VOLTAGE 208Y/120
 115°C RISE ABOVE 40°C AMBIENT
 220°C INSULATION SYSTEM
 COPPER WINDINGS
 APPROXIMATE WEIGHT: 1135 LBS
 GUARANTEED SOUND LEVEL: 50 dB
 AVERAGE IMPEDANCE: 4.4 %
 EFFICIENCY @35%: 98.3% AVG. CONFORMS
 TO NEMA TP 1 - 2002 AND CSA C802.2
 K FACTOR RATING 13

- NOTES:
- 1) cULus LISTED (MEETING UL 1561 AND CSA C22.2)
 - 2) NEMA 2 VENTILATED ENCLOSURE ENCLOSURE RATED FOR NEMA 3R WHEN OPTIONAL WEATHERSHIELD ACCESSORY IS INSTALLED.
 - 3) MINIMUM CLEARANCE OF 3.00[76] BETWEEN VENT OPENINGS, WALL OR OTHER OBSTRUCTION
 - 4) SHADED AREAS DENOTE CUSTOMER CONDUIT ENTRANCE LOCATIONS, AVAILABLE BOTH SIDES AND BOTTOM

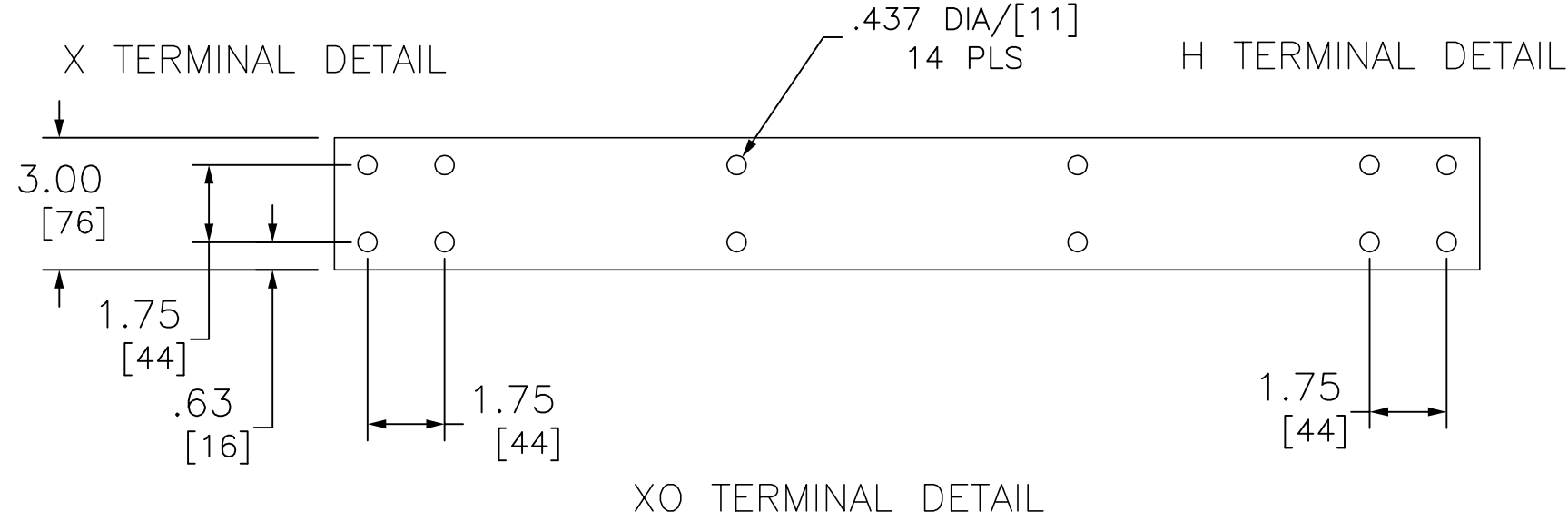
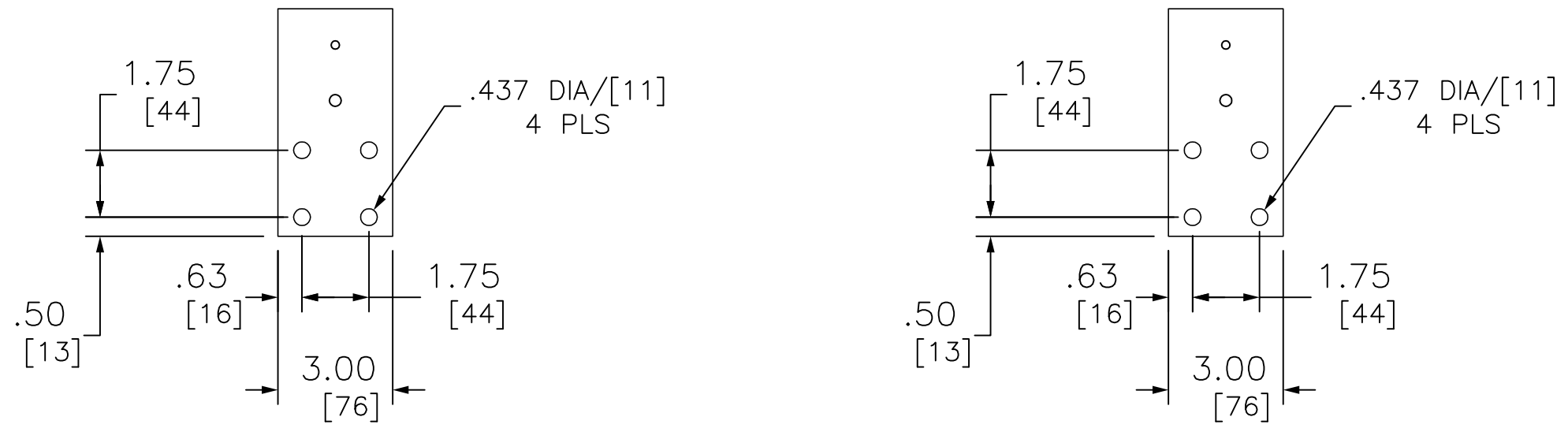
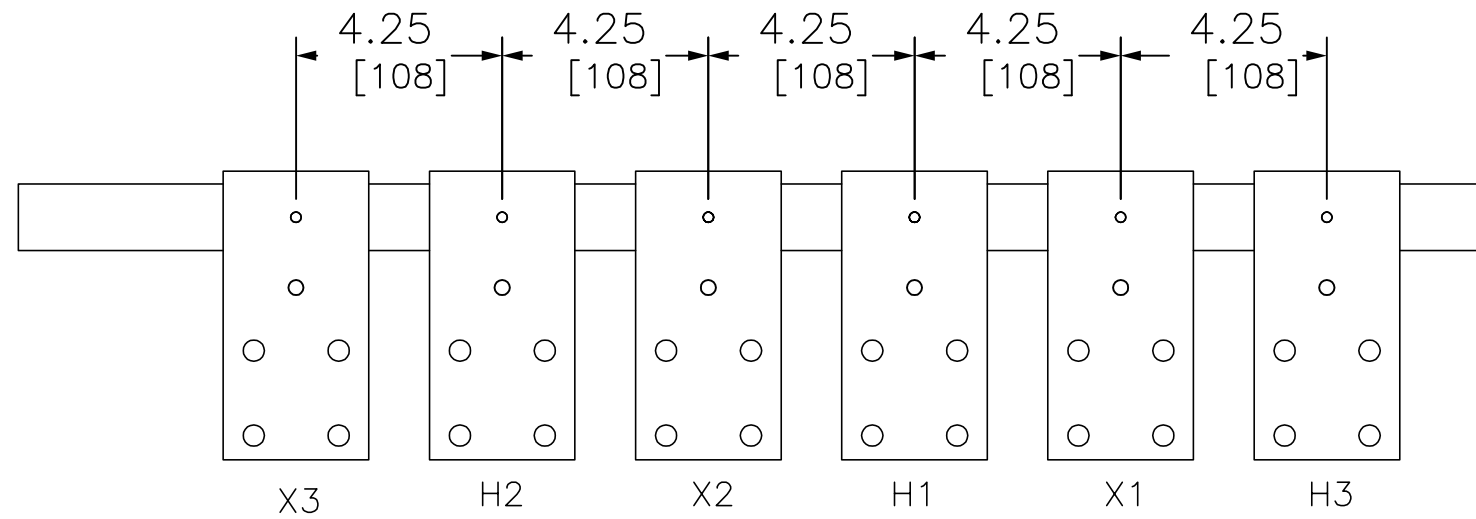
SEISMIC QUALIFICATION:
 TO BE COMPLIANT WITH THE SEISMIC REQUIREMENTS OF ASCE/SEI 7, THIS UNIT HAS BEEN QUALIFIED BY SHAKE TABLE TESTING THROUGH SELF CERTIFICATION TO ICC ES AC156. CONTACT YOUR LOCAL SCHNEIDER ELECTRIC/SQUARE D REPRESENTATIVE FOR RELATED QUESTIONS.

DUAL DIMENSIONS: INCHES
 MILLIMETERS

LOW VOLTAGE ENERGY EFFICIENT, TP1
 NON-LINEAR, K RATED, DRY-TYPE TRANSFORMER
 CATALOG NO EE150T3HFISCUNLP
 3 PHASE, 150KVA, CU
 PRIMARY 480 DELTA ,SECONDARY 208Y/120

SQUARE D
Schneider Electric

DWG# 6312-0192
 NO.



DUAL DIMENSIONS: INCHES
MILLIMETERS

LOW VOLTAGE ENERGY EFFICIENT, TP1
NON-LINEAR, K RATED, DRY-TYPE TRANSFORMER
CATALOG NO EE150T3HFISCUNLP
3 PHASE, 150kVA, CU
PRIMARY 480 DELTA ,SECONDARY 208Y/120



DWG# 6312-0192
NO.