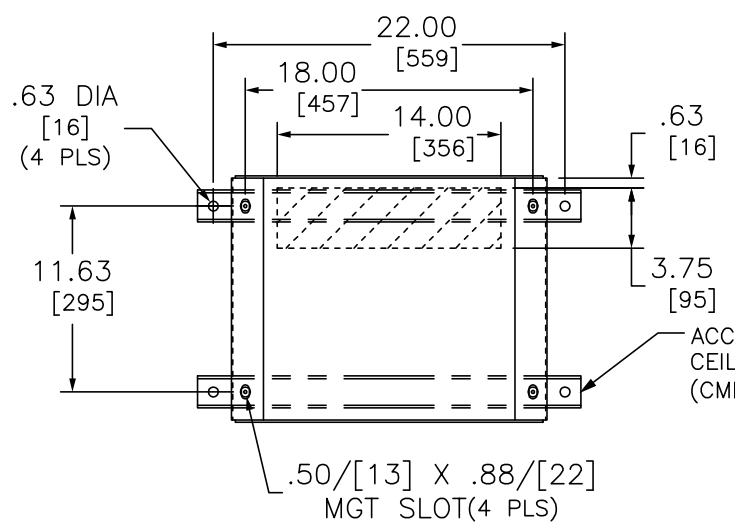
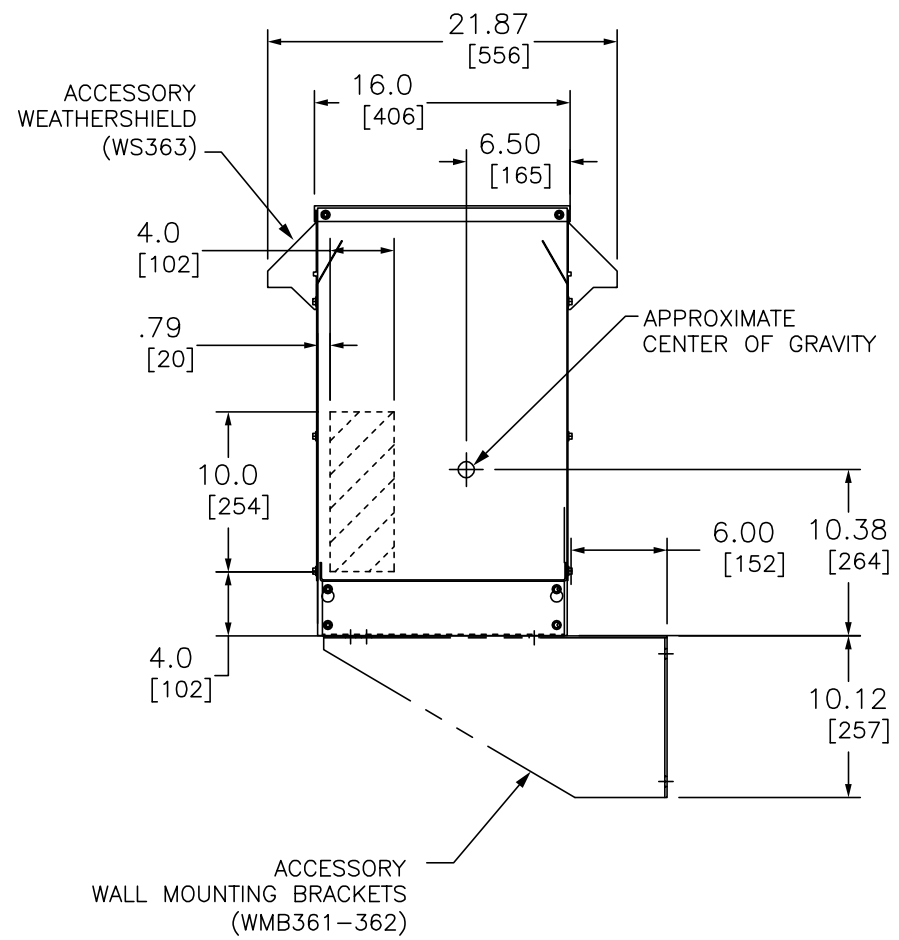
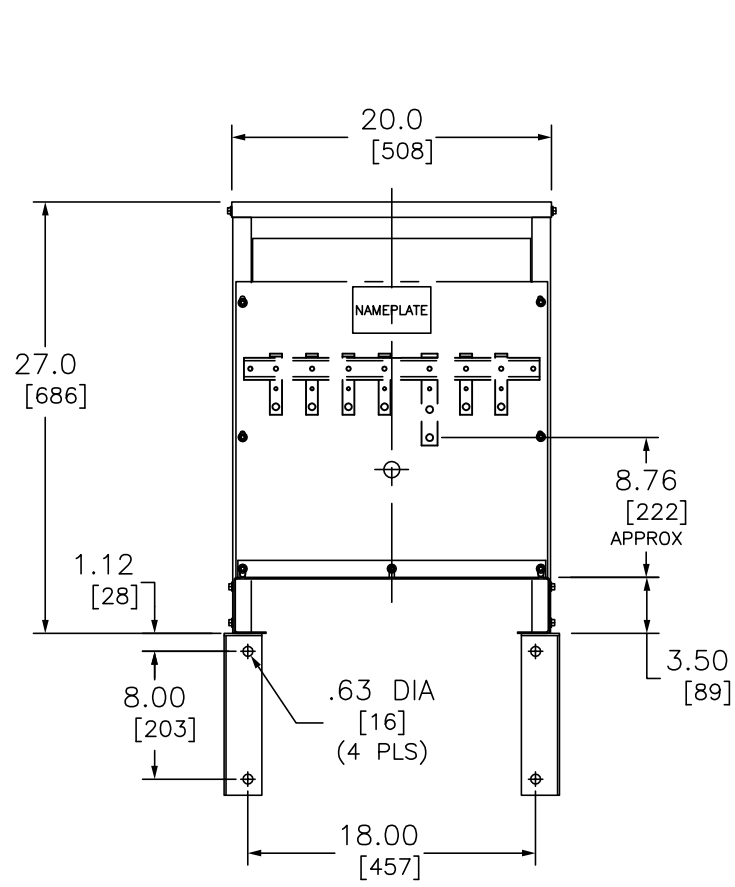
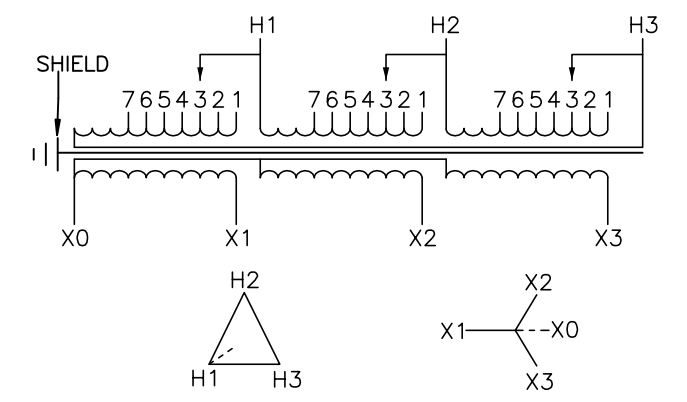


j:\vopdwg\Customer Drawings\Online Approval Drawings\EE15T3HFISNLP.DWG 11/14/2007 8:12:41 AM



SEISMIC QUALIFICATION:  
 TO BE COMPLIANT WITH THE SEISMIC REQUIREMENTS OF ASCE/SEI 7, THIS UNIT HAS BEEN QUALIFIED BY SHAKE TABLE TESTING THROUGH SELF CERTIFICATION TO ICC ES AC156. CONTACT YOUR LOCAL SCHNEIDER ELECTRIC/SQUARE D REPRESENTATIVE FOR RELATED QUESTIONS.

IN EACH PHASE CONNECT TO TAPS	
PRIMARY VOLTS	2-2.5% FCAN 4-2.5% FCBN
504	1
492	2
480	3
468	4
456	5
444	6
432	7



**TRANSFORMER SPECIFICATIONS:**  
 15 KVA 3Ø 60 HZ  
 PRIMARY VOLTAGE 480 DELTA  
 SECONDARY VOLTAGE 208Y/120  
 115°C RISE ABOVE 40°C AMBIENT  
 220°C INSULATION SYSTEM  
 ALUMINUM WINDINGS  
 APPROXIMATE WEIGHT: 256 LBS  
 GUARANTEED SOUND LEVEL: 45 dB  
 EFFICIENCY @35%: 97.0% AVG. CONFORMS TO NEMA TP 1 - 2002 AND CSA C802.2  
 K-FACTOR RATING 13

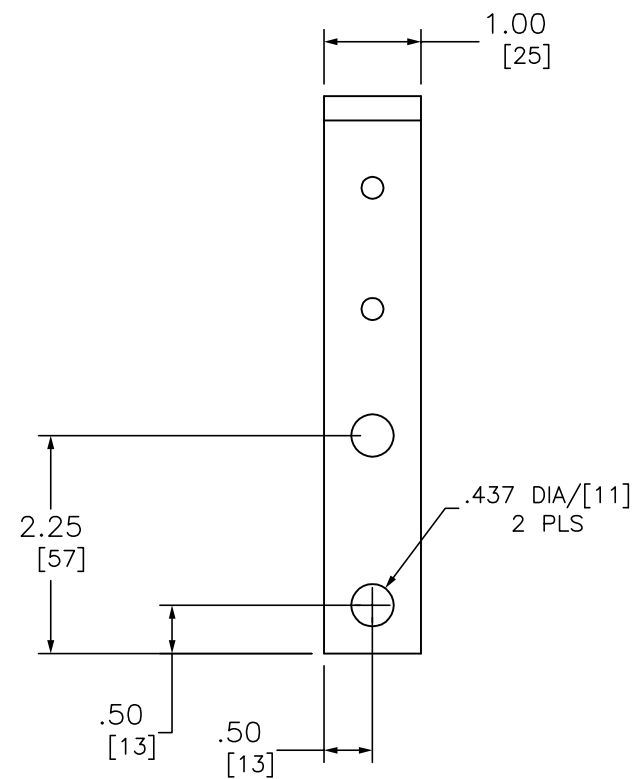
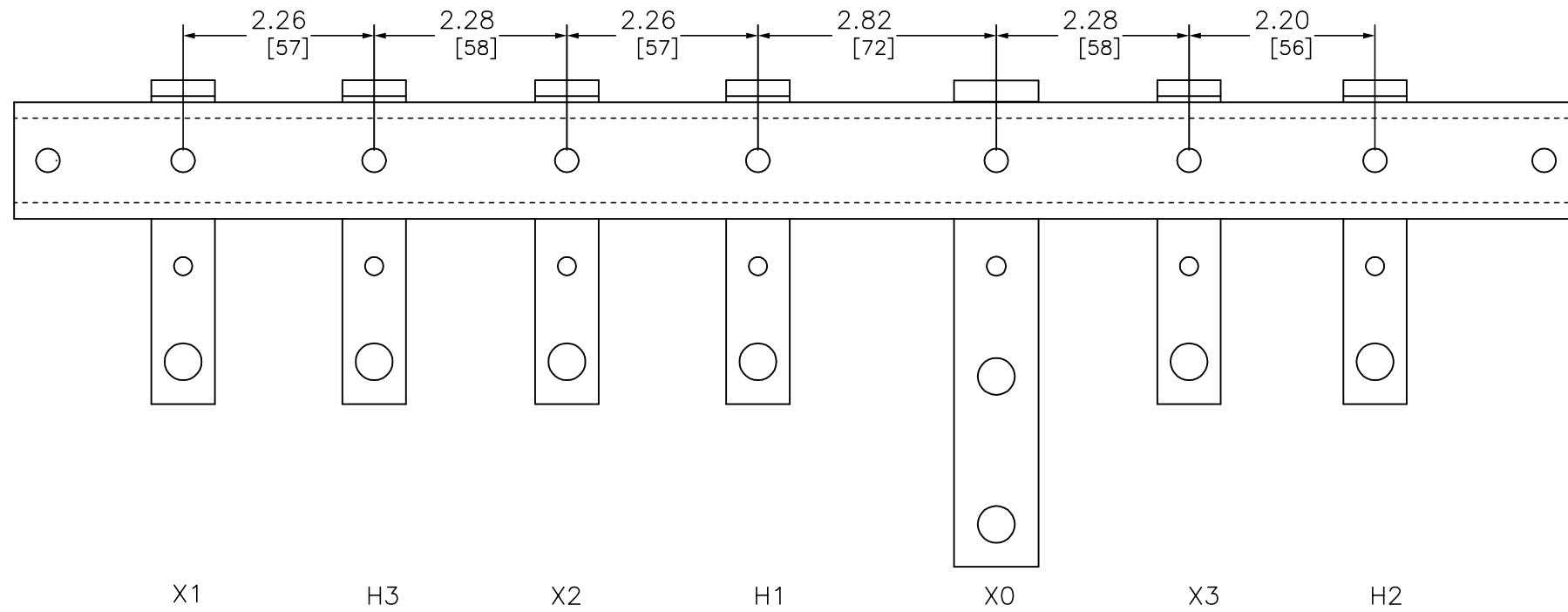
- NOTES:
- 1) cULus LISTED (MEETING UL 1561 AND CSA C22.2)
  - 2) NEMA 2 VENTILATED ENCLOSURE ENCLOSURE RATED FOR NEMA 3R WHEN OPTIONAL WEATHERSHIELD ACCESSORY IS INSTALLED.
  - 3) MINIMUM CLEARANCE OF 3.00[76] BETWEEN VENT OPENINGS, WALL OR OTHER OBSTRUCTION
  - 4) SHADED AREAS DENOTE CUSTOMER CONDUIT ENTRANCE LOCATIONS, AVAILABLE BOTH SIDES AND BOTTOM

DUAL DIMENSIONS: INCHES  
 MILLIMETERS

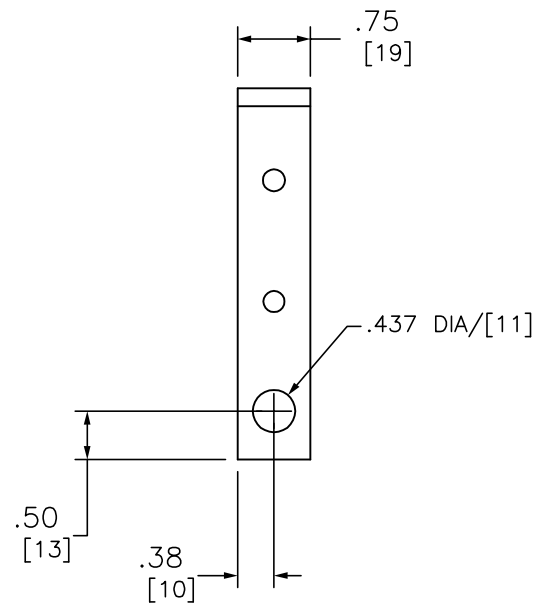
LOW VOLTAGE ENERGY EFFICIENT, TP1  
 NON-LINEAR, K-RATED, DRY-TYPE TRANSFORMER  
 CATALOG NO EE15T3HFISNLP  
 3 PHASE, 15kVA, AL  
 PRIMARY 480 DELTA ,SECONDARY 208Y/120



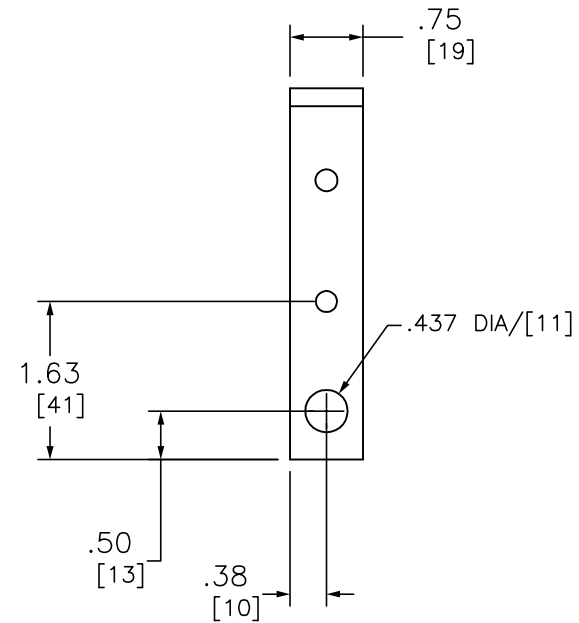
DWG# 6312-0167  
 NO.



XO TERMINAL DETAIL



X TERMINAL DETAIL



H TERMINAL DETAIL

DUAL DIMENSIONS: INCHES  
MILLIMETERS

LOW VOLTAGE ENERGY EFFICIENT, TP1  
NON-LINEAR, K-RATED, DRY-TYPE TRANSFORMER  
CATALOG NO EE15T3HFISNLP  
3 PHASE, 15kVA, AL  
PRIMARY 480 DELTA ,SECONDARY 208Y/120



DWG# 6312-0167  
NO.