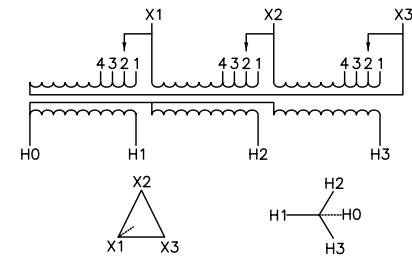


| IN EACH PHASE CONNECT TO TAPS | |
|-------------------------------|------------------------|
| PRIMARY VOLTS | 1-5 %FCAN 2-5 %FCBN |
| 218 | 1 |
| 208 | 2 |
| 198 | 3 |
| 188 | 4 |



TRANSFORMER SPECIFICATIONS:
 225 kVA 3Ø 60 HZ
 PRIMARY VOLTAGE 208 DELTA
 SECONDARY VOLTAGE 480Y/277
 150°C RISE ABOVE 40°C AMBIENT
 220°C INSULATION SYSTEM
 ALUMINUM WINDINGS
 APPROXIMATE WEIGHT: 991 LBS
 GUARANTEED SOUND LEVEL: 55 dB
 EFFICIENCY @35%: 98.5% AVG. CONFORMS
 TO NEMA TP 1 - 2002 AND CSA C802.2

- NOTES:
 1) cULus LISTED (MEETING UL 1561 AND CSA C22.2)
 2) NEMA 2 VENTILATED ENCLOSURE ENCLOSURE RATED FOR NEMA 3R WHEN OPTIONAL WEATHERSHIELD ACCESSORY IS INSTALLED.
 3) MINIMUM CLEARANCE OF 3.00[76] BETWEEN VENT OPENINGS, WALL OR OTHER OBSTRUCTION
 4) SHADED AREAS DENOTE CUSTOMER CONDUIT ENTRANCE LOCATIONS, AVAILABLE BOTH SIDES AND BOTTOM

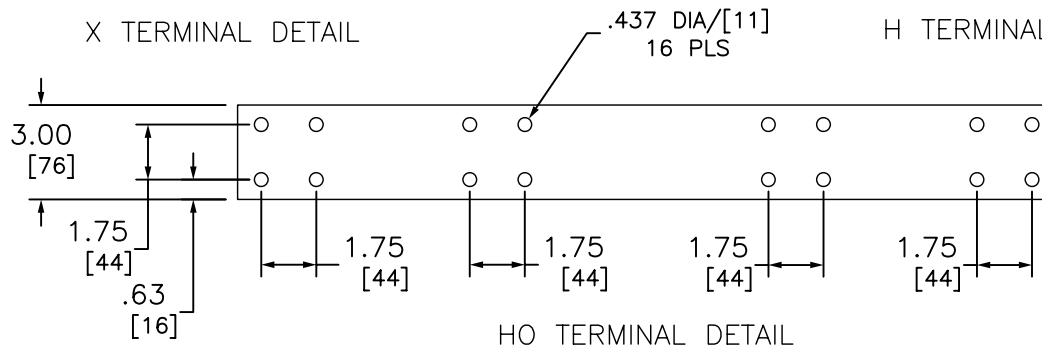
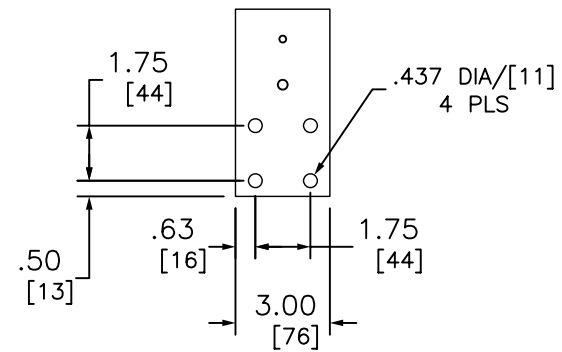
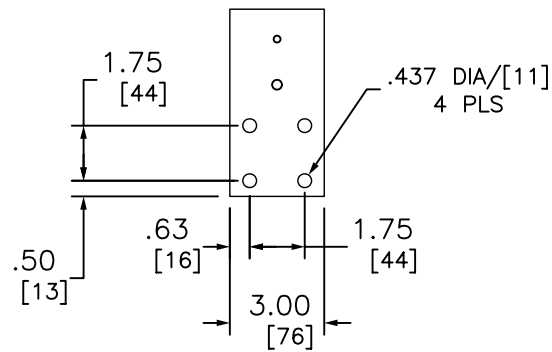
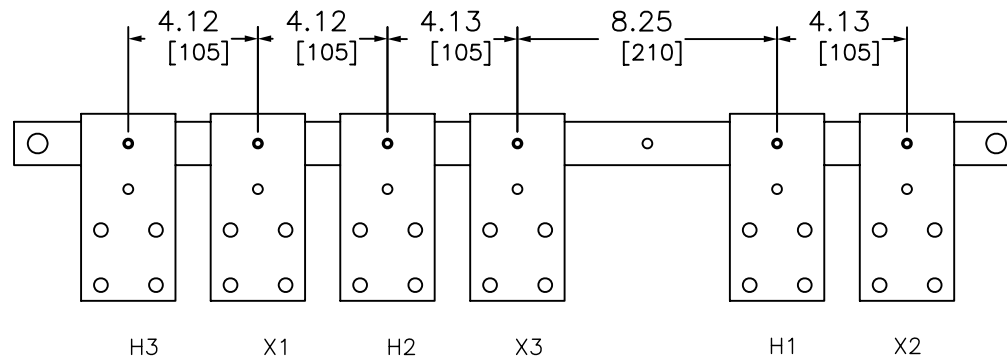
SEISMIC QUALIFICATION:
 TO BE COMPLIANT WITH THE SEISMIC REQUIREMENTS OF ASCE/SEI 7, THIS UNIT HAS BEEN QUALIFIED BY SHAKE TABLE TESTING THROUGH SELF CERTIFICATION TO ICC ES AC156. CONTACT YOUR LOCAL SCHNEIDER ELECTRIC/SQUARE D REPRESENTATIVE FOR RELATED QUESTIONS.

DUAL DIMENSIONS: INCHES
MILLIMETERS

LOW VOLTAGE ENERGY EFFICIENT, TP1
 DRY-TYPE TRANSFORMER
 CATALOG NO EE225T212H
 3 PHASE, 225kVA, AL
 PRIMARY 208 DELTA ,SECONDARY 480Y/277



DWG# 6312-0130
 No.



DUAL DIMENSIONS: INCHES
MILLIMETERS

LOW VOLTAGE ENERGY EFFICIENT, TP1
 DRY-TYPE TRANSFORMER
 CATALOG NO EE225T212H
 3 PHASE, 225kVA, AL
 PRIMARY 208 DELTA ,SECONDARY 480Y/277



DWG# 6312-0130
 NO.