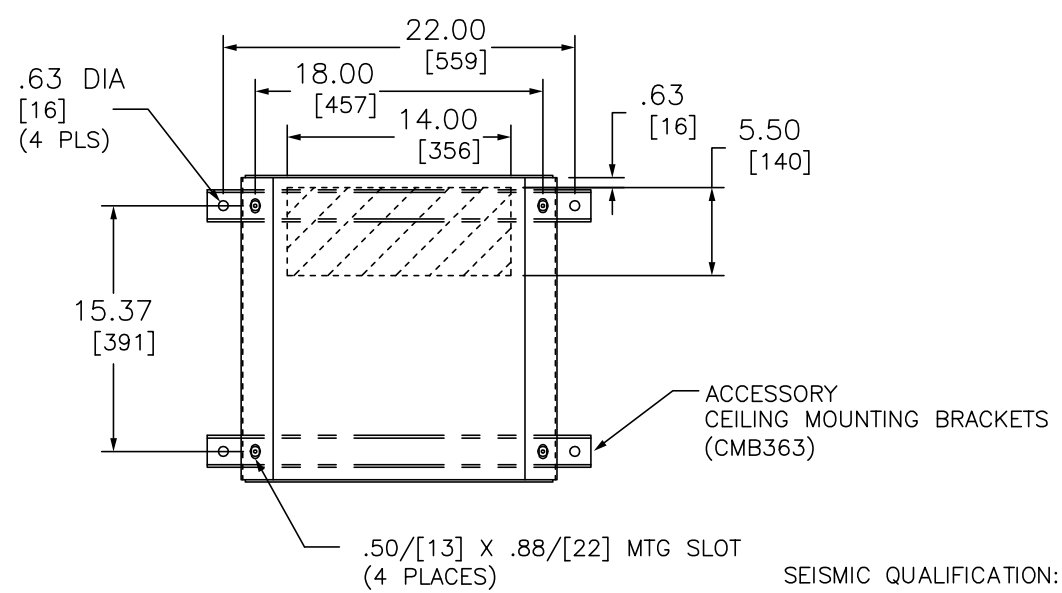
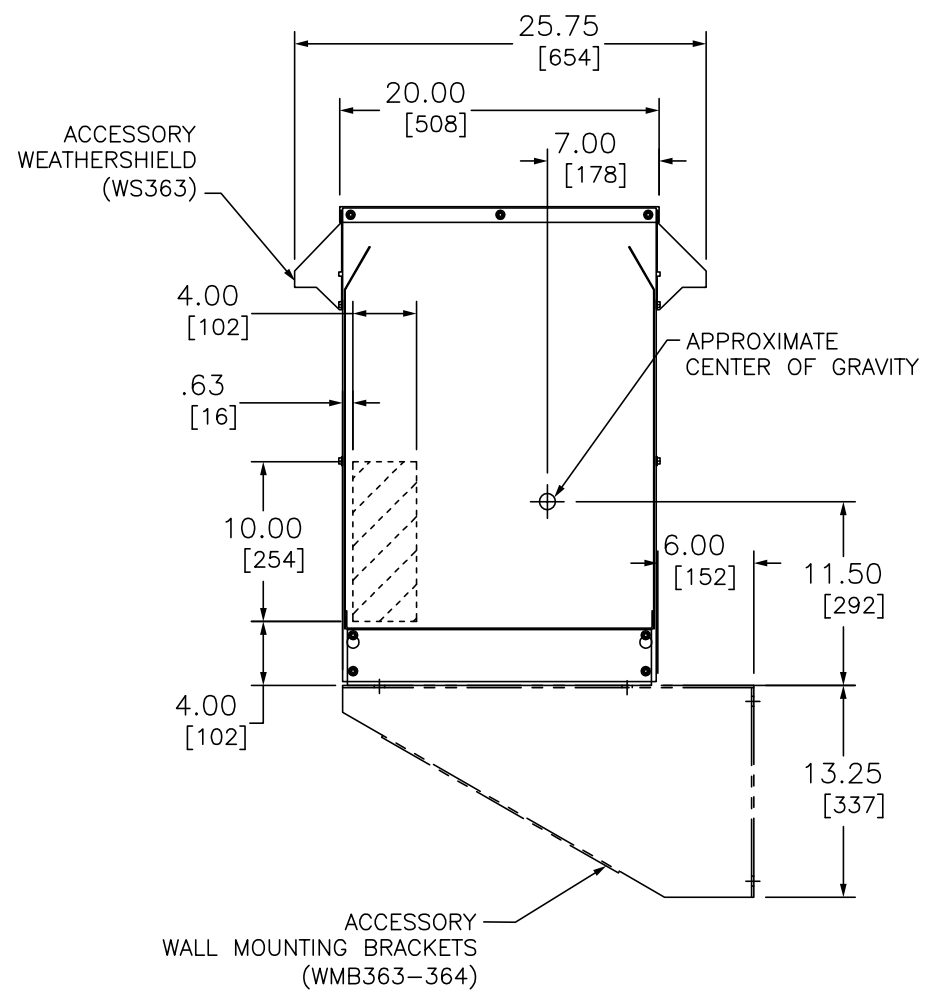
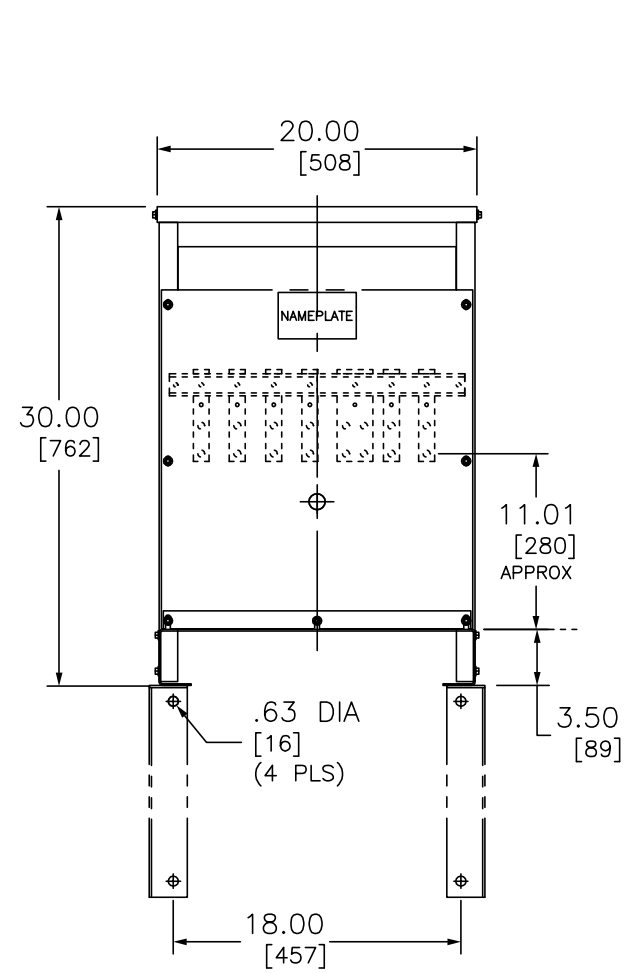


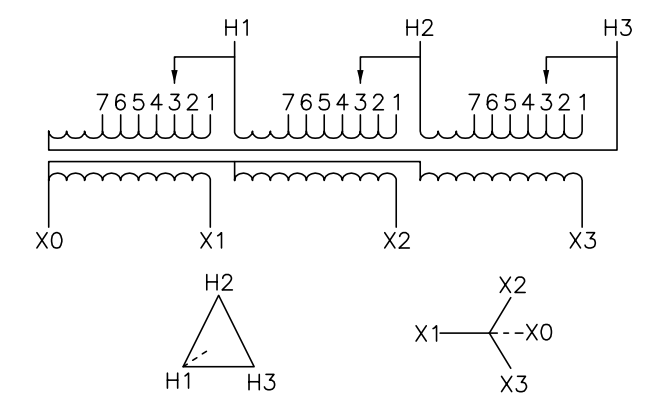
j:\vopdwg\Customer Drawings\Online Approval Drawings\EE45T67H.DWG 11/14/2007 8:22:54 AM



SEISMIC QUALIFICATION:
 TO BE COMPLIANT WITH THE SEISMIC REQUIREMENTS OF ASCE/SEI 7, THIS UNIT HAS BEEN QUALIFIED BY SHAKE TABLE TESTING THROUGH SELF CERTIFICATION TO ICC ES AC156. CONTACT YOUR LOCAL SCHNEIDER ELECTRIC/SQUARE D REPRESENTATIVE FOR RELATED QUESTIONS.

- NOTES:
- 1) cULus LISTED (MEETING UL 1561 AND CSA C22.2)
 - 2) NEMA 2 VENTILATED ENCLOSURE ENCLOSURE RATED FOR NEMA 3R WHEN OPTIONAL WEATHERSHIELD ACCESSORY IS INSTALLED.
 - 3) MINIMUM CLEARANCE OF 3.00[76] BETWEEN VENT OPENINGS, WALL OR OTHER OBSTRUCTION
 - 4) SHADED AREAS DENOTE CUSTOMER CONDUIT ENTRANCE LOCATIONS, AVAILABLE BOTH SIDES AND BOTTOM

| IN EACH PHASE CONNECT TO TAPS | |
|----------------------------------|----------------------------|
| PRIMARY VOLTS | 2-2.5% FCAN 4-2.5% FCBN |
| 252 | 1 |
| 246 | 2 |
| 240 | 3 |
| 234 | 4 |
| 228 | 5 |
| 222 | 6 |
| 216 | 7 |

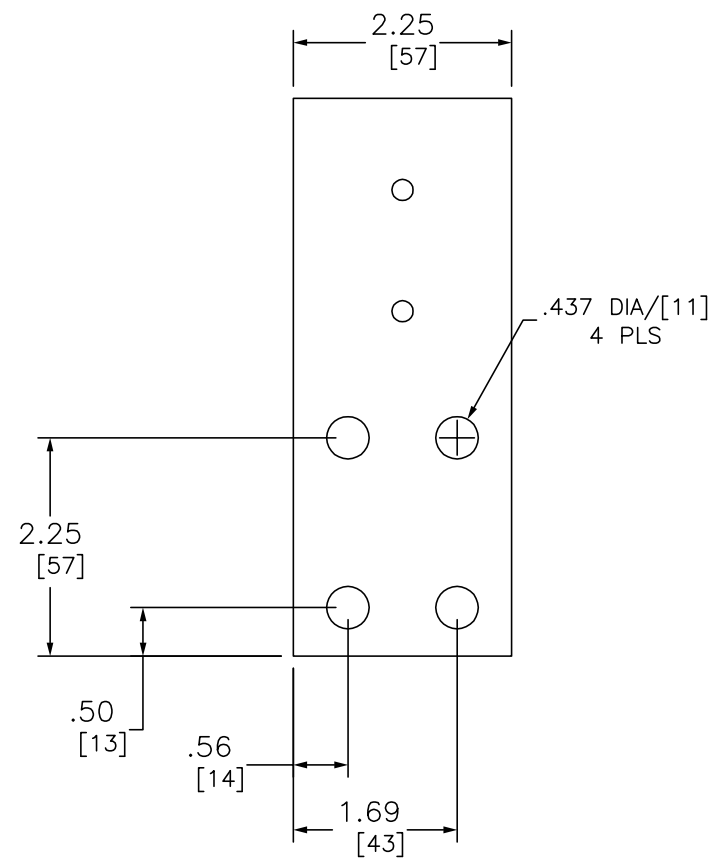
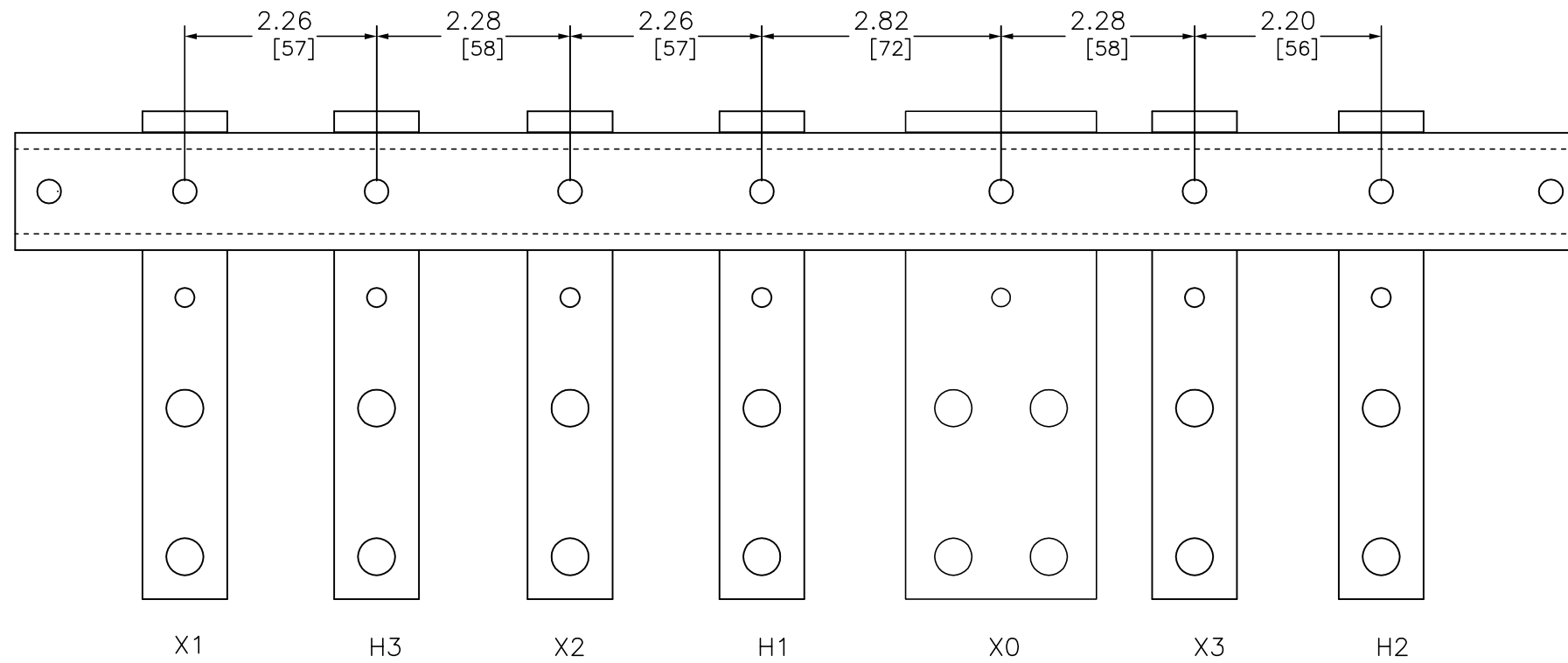


TRANSFORMER SPECIFICATIONS:
 45 KVA 3Ø 60 HZ
 PRIMARY VOLTAGE 240 DELTA
 SECONDARY VOLTAGE 208Y/120
 150°C RISE ABOVE 40°C AMBIENT
 220°C INSULATION SYSTEM
 ALUMINUM WINDINGS
 APPROXIMATE WEIGHT: 379 LBS
 GUARANTEED SOUND LEVEL: 45 dB
 EFFICIENCY @35%: 97.7% AVG. CONFORMS TO NEMA TP 1 - 2002 AND CSA C802.2

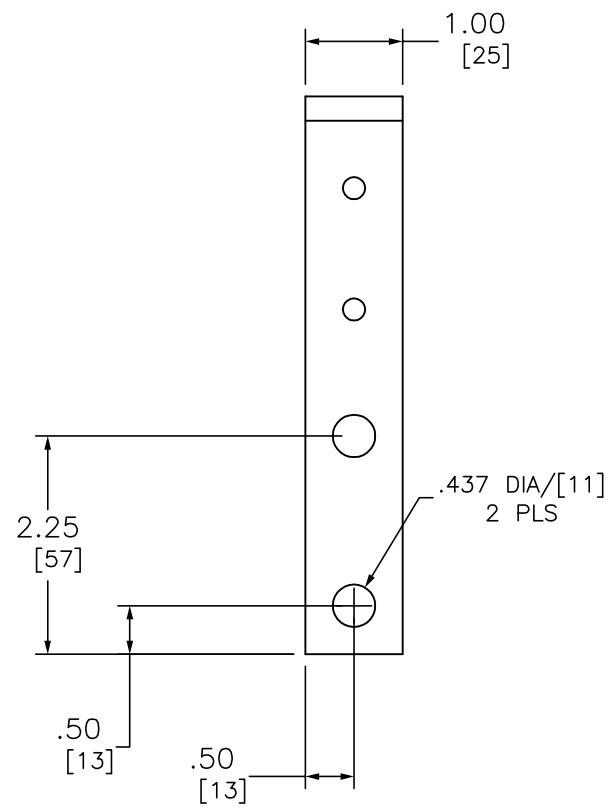
DUAL DIMENSIONS: INCHES
 MILLIMETERS

LOW VOLTAGE ENERGY EFFICIENT, TP1
 DRY-TYPE TRANSFORMER
 CATALOG NO EE45T67H
 3 PHASE, 45kVA, AL
 PRIMARY 240 DELTA ,SECONDARY 208Y/120

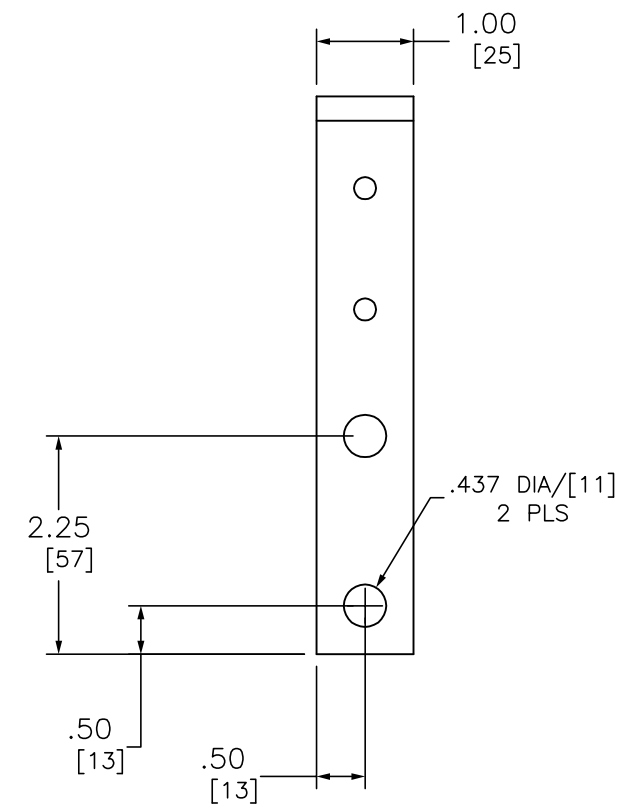
DWG# 6312-0096
 NO.



XO TERMINAL DETAIL



X TERMINAL DETAIL



H TERMINAL DETAIL

DUAL DIMENSIONS: INCHES
MILLIMETERS

LOW VOLTAGE ENERGY EFFICIENT, TP1
 DRY-TYPE TRANSFORMER
 CATALOG NO EE45T67H
 3 PHASE, 45kVA, AL
 PRIMARY 240 DELTA ,SECONDARY 208Y/120



DWG# 6312-0096
 NO.