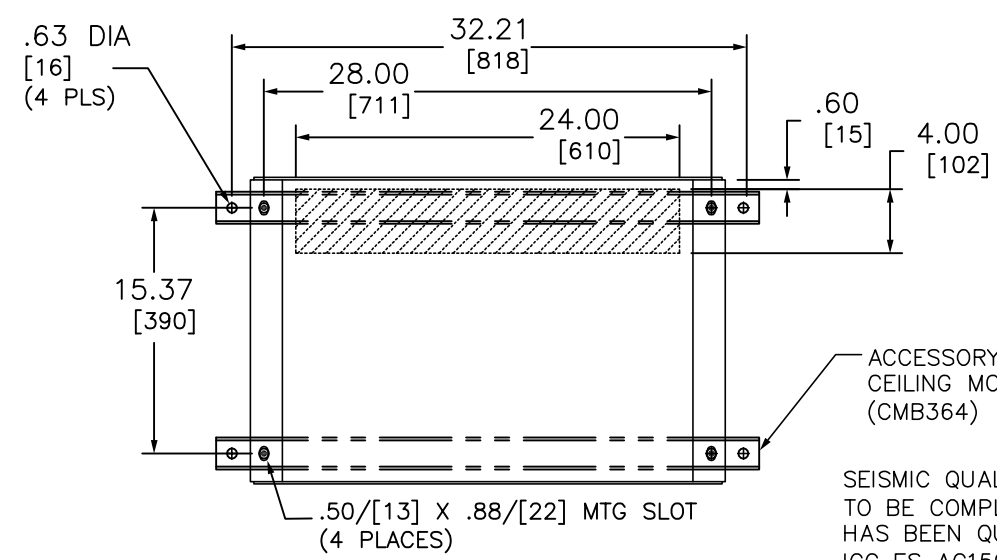
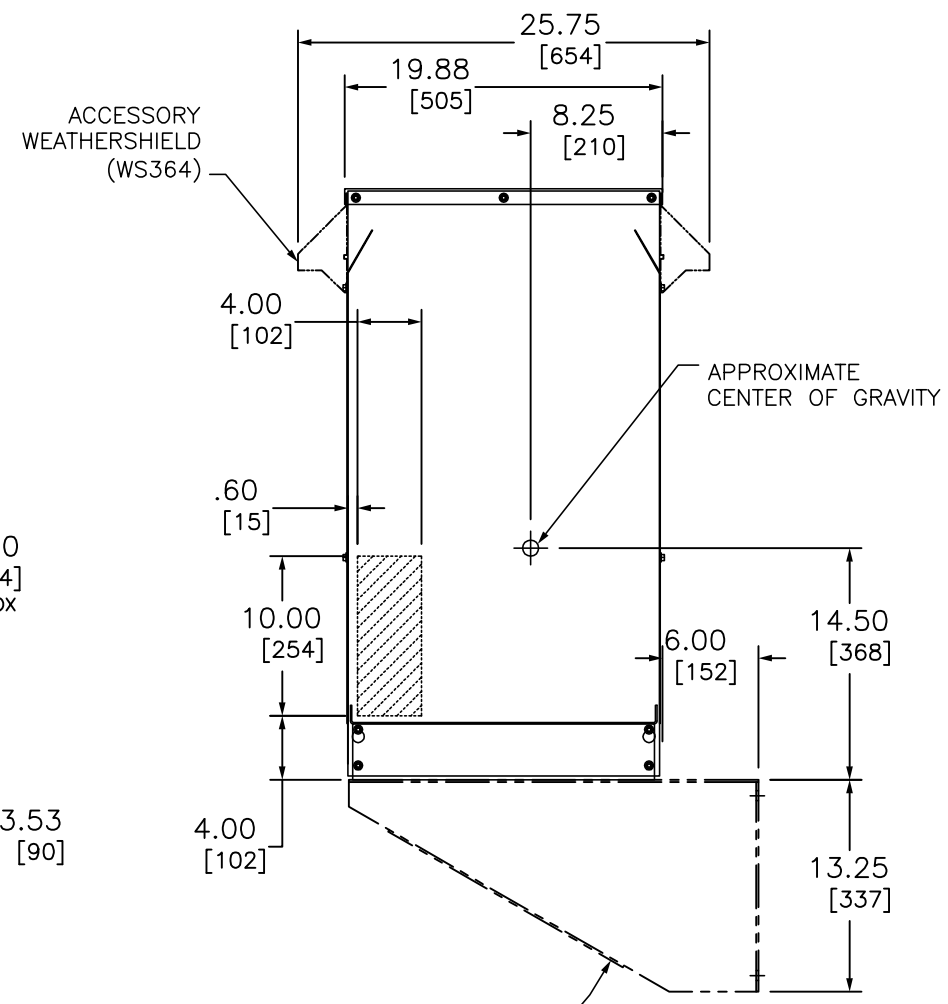
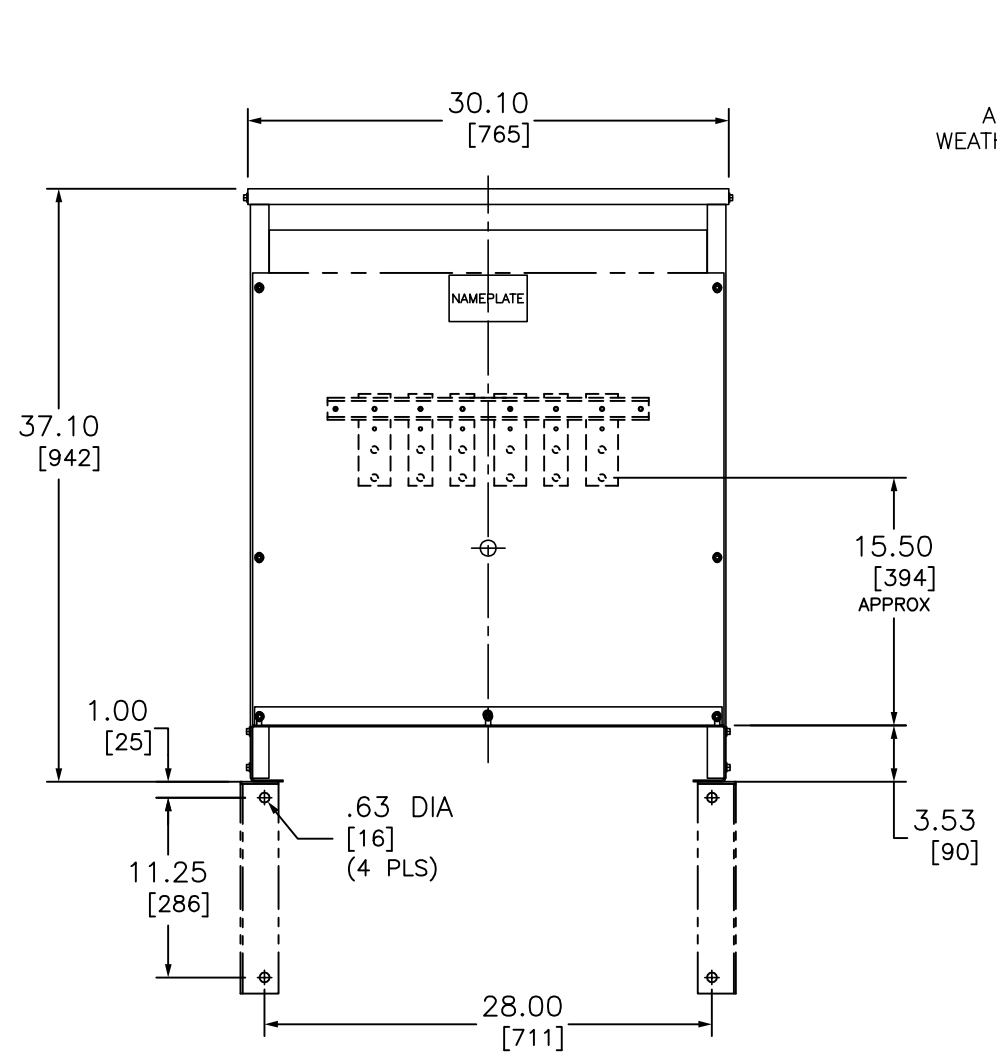
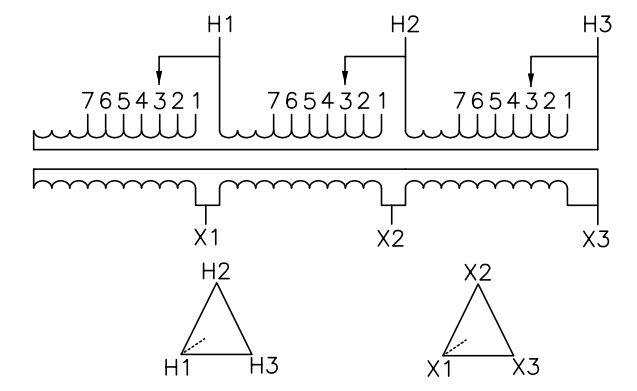


j:\vopdwg\customer Drawings\Online Approval Drawings\EE75T6H.DWG 11/14/2007 8:29:30 AM



SEISMIC QUALIFICATION:
 TO BE COMPLIANT WITH THE SEISMIC REQUIREMENTS OF ASCE/SEI 7, THIS UNIT HAS BEEN QUALIFIED BY SHAKE TABLE TESTING THROUGH SELF CERTIFICATION TO ICC ES AC156. CONTACT YOUR LOCAL SCHNEIDER ELECTRIC/SQUARE D REPRESENTATIVE FOR RELATED QUESTIONS.

IN EACH PHASE CONNECT TO TAPS	
PRIMARY VOLTS	2-2.5% FCAN 4-2.5% FCBN
504	1
492	2
480	3
468	4
456	5
444	6
432	7



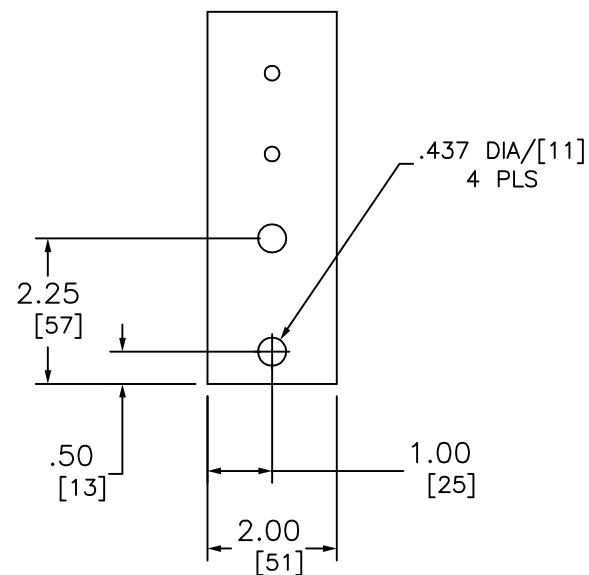
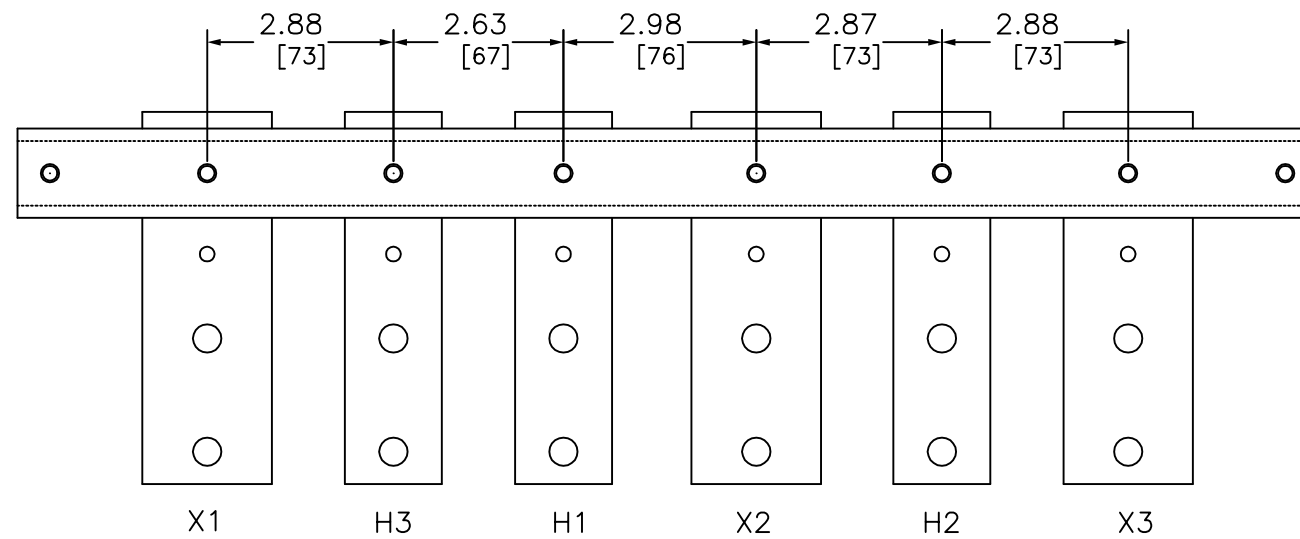
TRANSFORMER SPECIFICATIONS:
 75 KVA 3Ø 60 HZ
 PRIMARY VOLTAGE 480 DELTA
 SECONDARY VOLTAGE 240 DELTA
 150 °C RISE ABOVE 40°C AMBIENT
 220 °C INSULATION SYSTEM
 ALUMINUM WINDINGS
 APPROXIMATE WEIGHT: 560
 GUARANTEED SOUND LEVEL: 50 dB
 AVERAGE IMPEDANCE: 3.7 %
 EFFICIENCY @35%: 98.0% AVG. CONFORMS TO NEMA TP 1 - 2002 AND CSA C802.2

- NOTES:
- 1) cULus LISTED (MEETING UL 1561 AND CSA C22.2)
 - 2) NEMA 2 VENTILATED ENCLOSURE ENCLOSURE RATED FOR NEMA 3R WHEN OPTIONAL WEATHERSHIELD ACCESSORY IS INSTALLED.
 - 3) MINIMUM CLEARANCE OF 3.00[76] BETWEEN VENT OPENINGS, WALL OR OTHER OBSTRUCTION
 - 4) SHADED AREAS DENOTE CUSTOMER CONDUIT ENTRANCE LOCATIONS, AVAILABLE BOTH SIDES AND BOTTOM

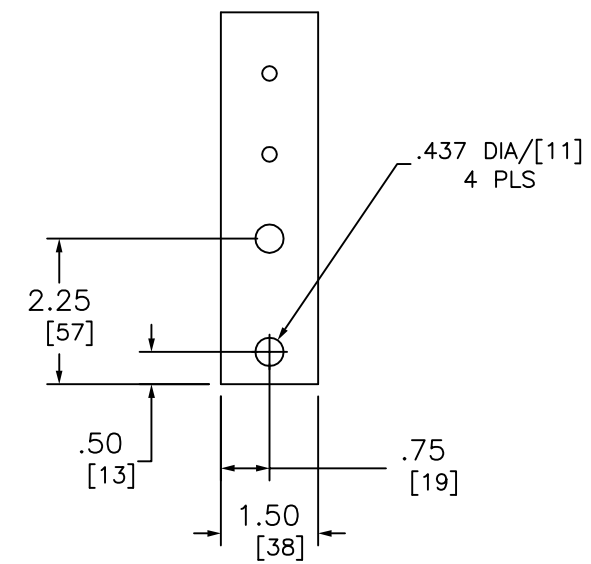
DUAL DIMENSIONS: INCHES MILLIMETERS

LOW VOLTAGE ENERGY EFFICIENT, TP1
 DRY-TYPE TRANSFORMER
 CATALOG NO EE75T6H
 3 PHASE, 75KVA, AL
 PRIMARY 480 DELTA ,SECONDARY 240 DELTA

DWG# 6312-0086



X TERMINAL DETAIL



H TERMINAL DETAIL

DUAL DIMENSIONS: INCHES
MILLIMETERS

LOW VOLTAGE ENERGY EFFICIENT, TP1
 DRY-TYPE TRANSFORMER
 CATALOG NO EE75T6H
 3 PHASE, 75kVA, AL
 PRIMARY 480 DELTA ,SECONDARY 240 DELTA



DWG# 6312-0086
 NO.