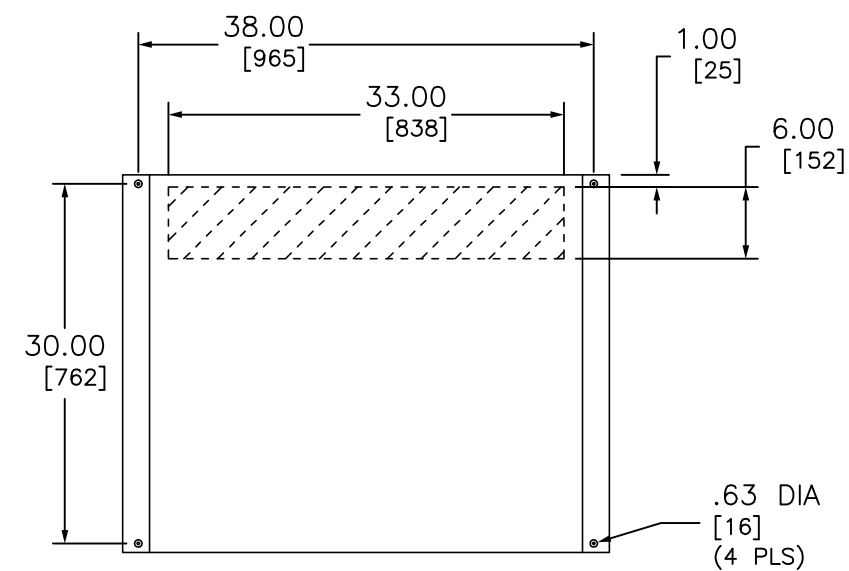
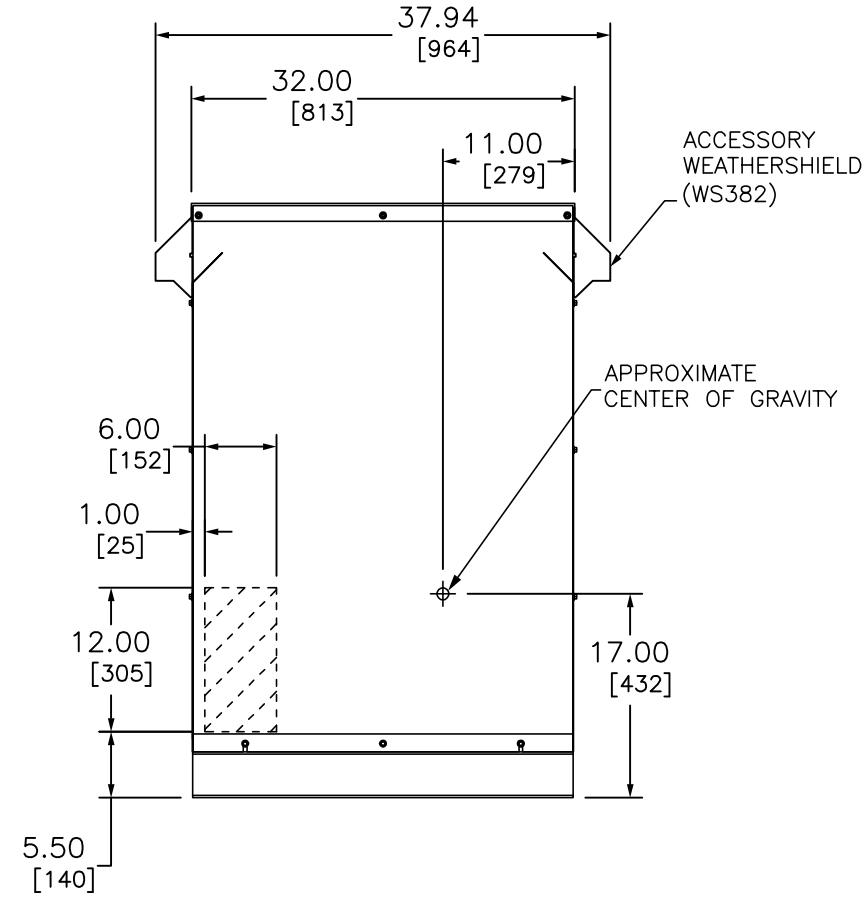
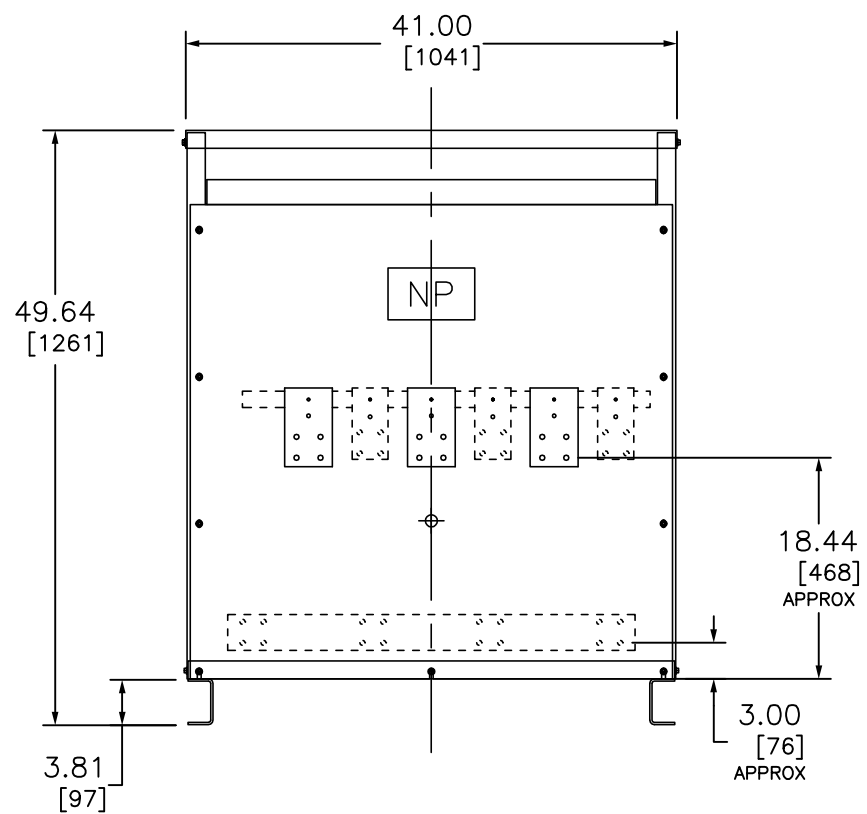
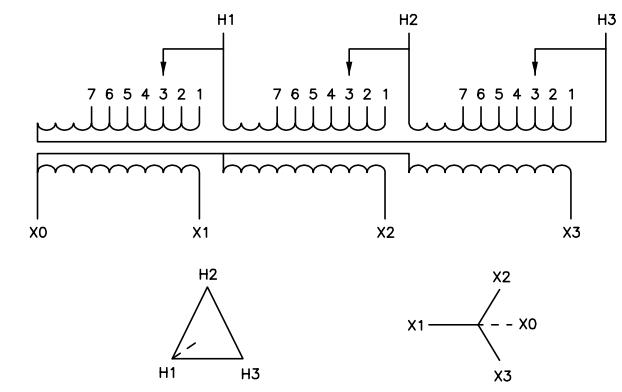


j:\vopdwg\Customer Drawings\Online Approval Drawings\EE300T65HCU.DWG 11/14/2007 8:17:14 AM



IN EACH PHASE CONNECT TO TAPS	
PRIMARY VOLTS	2-2.5% FCAN 4-2.5% FCBN
630	1
615	2
600	3
585	4
570	5
555	6
540	7



TRANSFORMER SPECIFICATIONS
 300 KVA 3Ø 60 HZ
 PRIMARY VOLTAGE 600 DELTA
 SECONDARY VOLTAGE 208Y/120
 150°C RISE ABOVE 40°C AMBIENT
 220°C INSULATION SYSTEM
 COPPER WINDINGS
 APPROXIMATE WEIGHT: 1535 LBS
 GUARANTEED SOUND LEVEL: 55 dB
 EFFICIENCY @35%: 98.6% AVG. CONFORMS
 TO NEMA TP 1 - 2002 AND CSA C802.2

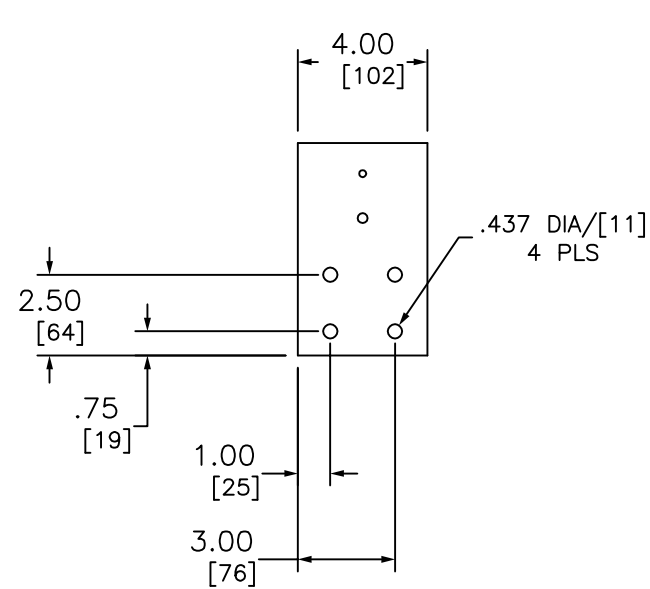
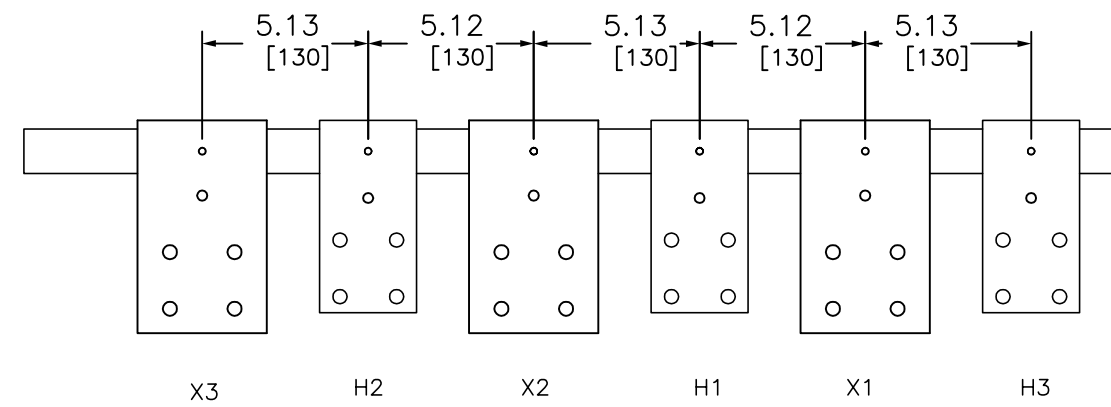
- NOTES:
- 1) cULus LISTED (MEETING UL 1561 AND CSA C22.2)
 - 2) NEMA 2 VENTILATED ENCLOSURE ENCLOSURE RATED FOR NEMA 3R WHEN OPTIONAL WEATHERSHIELD ACCESSORY IS INSTALLED.
 - 3) MINIMUM CLEARANCE OF 3.00[76] BETWEEN VENT OPENINGS, WALL OR OTHER OBSTRUCTION
 - 4) SHADED AREAS DENOTE CUSTOMER CONDUIT ENTRANCE LOCATIONS, AVAILABLE BOTH SIDES AND BOTTOM

SEISMIC QUALIFICATION:
 TO BE COMPLIANT WITH THE SEISMIC REQUIREMENTS OF ASCE/SEI 7, THIS UNIT HAS BEEN QUALIFIED BY SHAKE TABLE TESTING THROUGH SELF CERTIFICATION TO ICC ES AC156. CONTACT YOUR LOCAL SCHNEIDER ELECTRIC/SQUARE D REPRESENTATIVE FOR RELATED QUESTIONS.

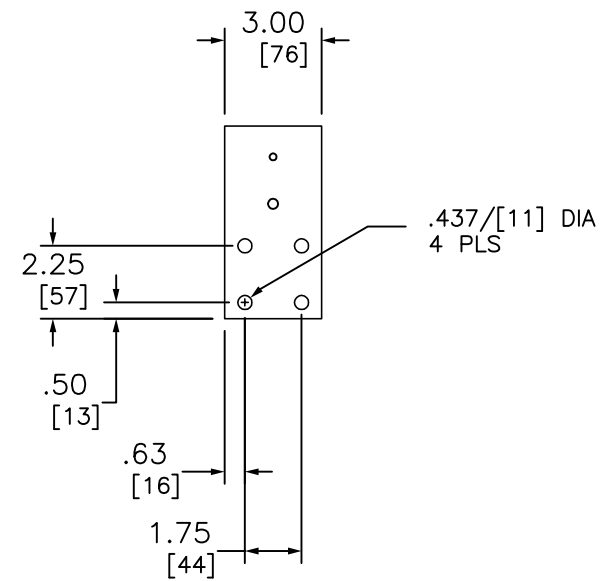
DUAL DIMENSIONS: INCHES
 MILLIMETERS

LOW VOLTAGE ENERGY EFFICIENT, TP1
 DRY-TYPE TRANSFORMER
 CATALOG NO EE300T65HCU
 3 PHASE, 300KVA, CU
 PRIMARY 600 DELTA ,SECONDARY 208Y/120

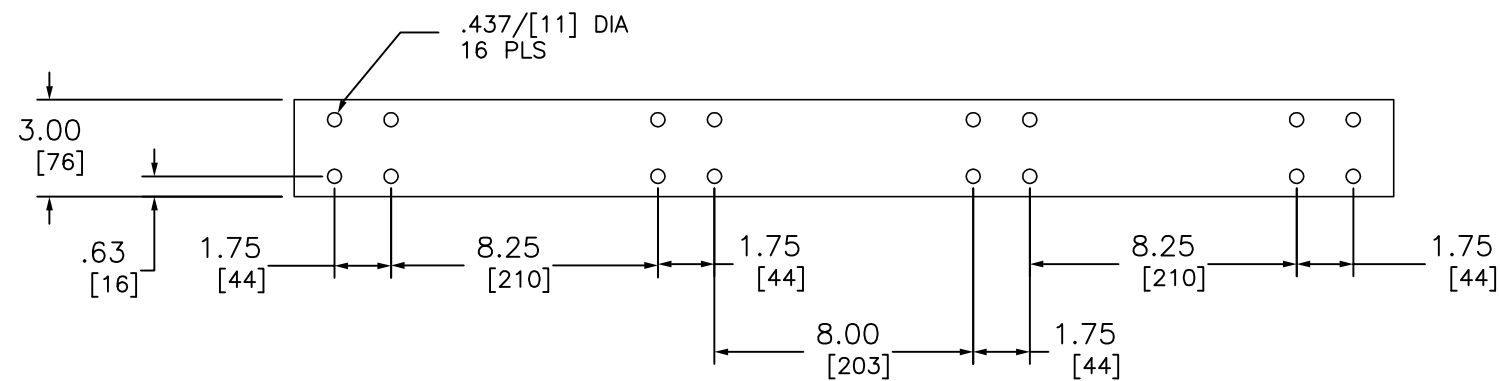
DWG# 6312-0080
 NO.



X TERMINAL DETAIL



H TERMINAL DETAIL



XO TERMINAL DETAIL

DUAL DIMENSIONS: INCHES
MILLIMETERS

LOW VOLTAGE ENERGY EFFICIENT, TP1
 DRY-TYPE TRANSFORMER
 CATALOG NO EE300T65HCU
 3 PHASE, 300kVA, CU
 PRIMARY 600 DELTA ,SECONDARY 208Y/120



DWG# 6312-0080
 NO.