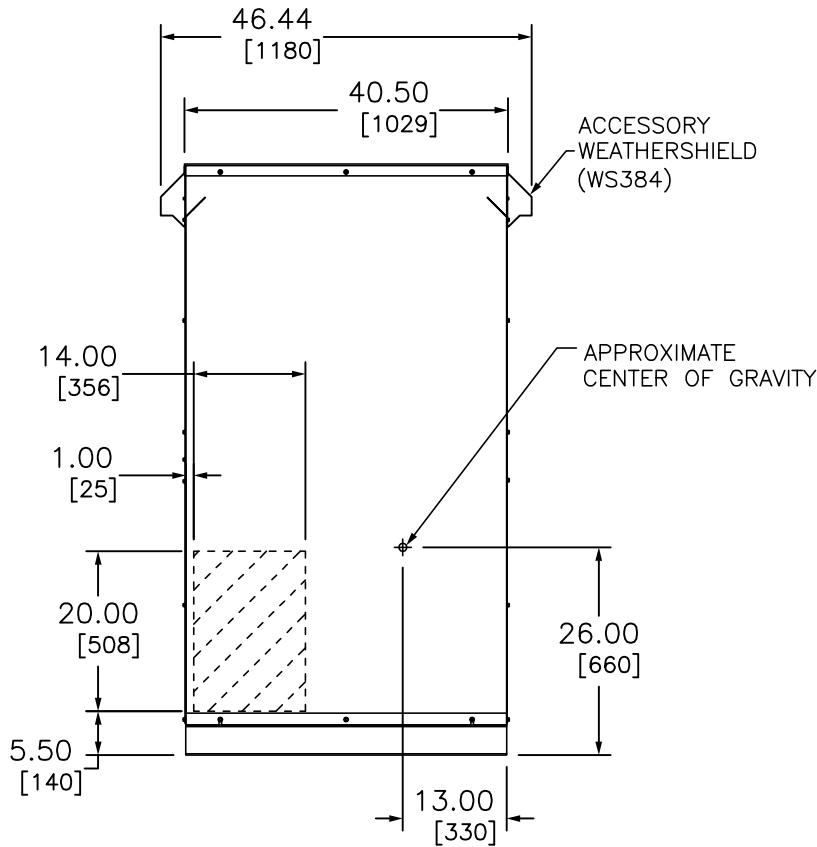
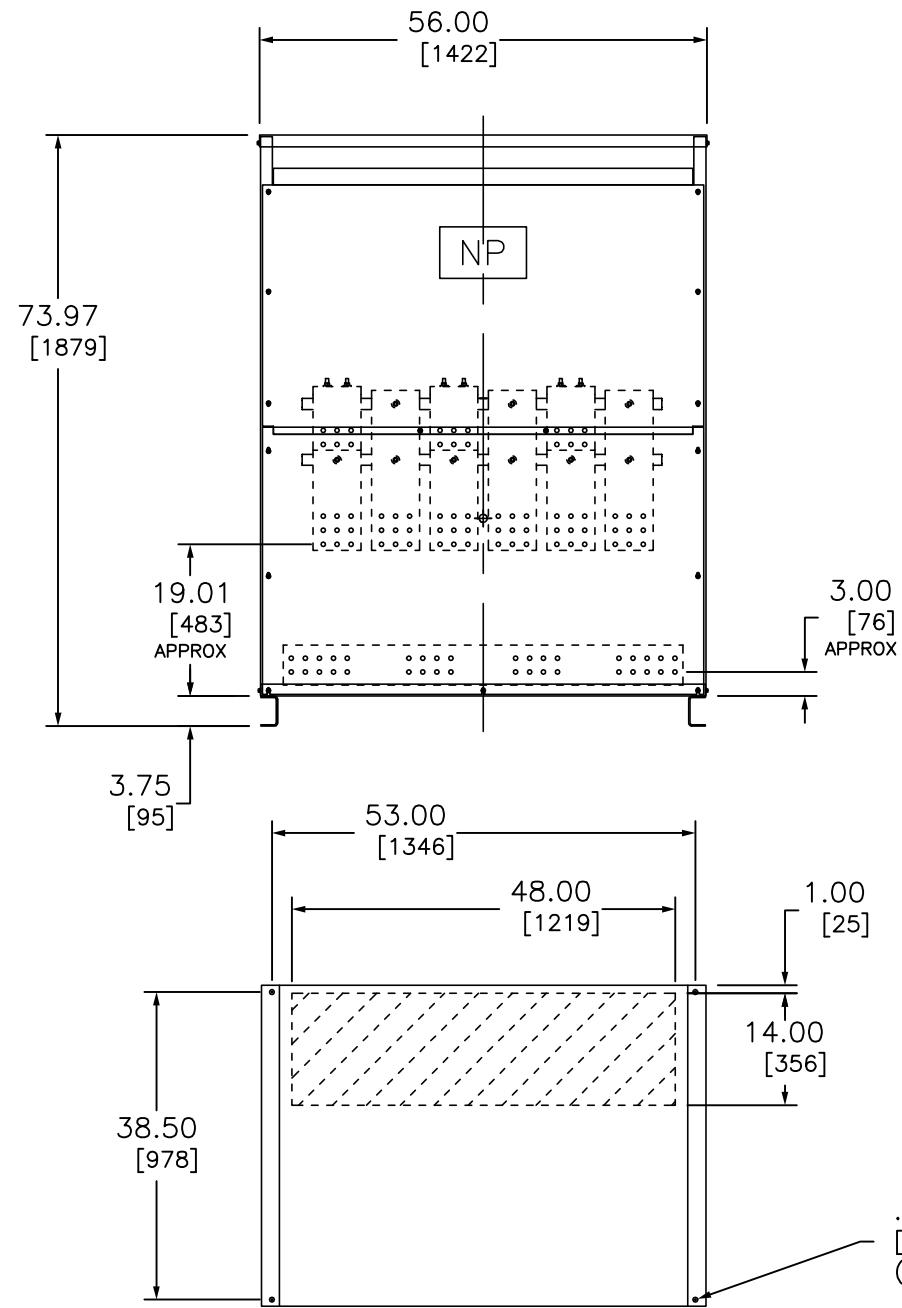
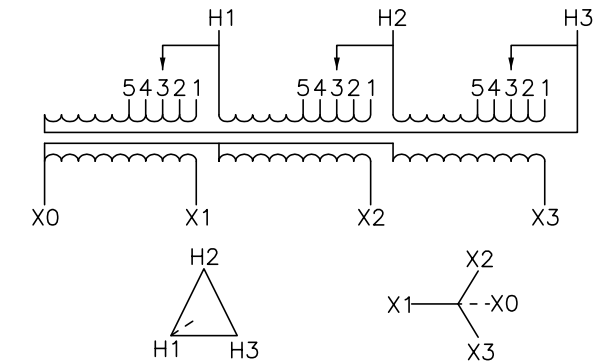


j:\vopdwg\Customer Drawings\Online Approval Drawings\EE750T79H.DWG 11/14/2007 8:26:36 AM



IN EACH PHASE CONNECT TO TAPS	
PRIMARY VOLTS	2-2.5% FCAN 4-2.5% FCBN
630	1
615	2
600	3
585	4
570	5



**TRANSFORMER SPECIFICATIONS**  
 750 KVA 3Ø 60 HZ  
 PRIMARY VOLTAGE 600 DELTA  
 SECONDARY VOLTAGE 208Y/120  
 150 °C RISE ABOVE 40°C AMBIENT  
 220 °C INSULATION SYSTEM  
 ALUMINUM WINDINGS  
 APPROXIMATE WEIGHT: 2990 LBS  
 GUARANTEED SOUND LEVEL: 64 dB  
 AVERAGE IMPEDANCE: 5.3  
 EFFICIENCY @35%: 98.8% AVG. CONFORMS  
 TO NEMA TP 1 - 2002 AND CSA C802.2

**SEISMIC QUALIFICATION:**  
 TO BE COMPLIANT WITH THE SEISMIC REQUIREMENTS OF ASCE/SEI 7, THIS UNIT HAS BEEN QUALIFIED BY SHAKE TABLE TESTING THROUGH SELF CERTIFICATION TO ICC ES AC156. CONTACT YOUR LOCAL SCHNEIDER ELECTRIC/SQUARE D REPRESENTATIVE FOR RELATED QUESTIONS.

- NOTES:**
- 1) cULus LISTED (MEETING UL 1561 AND CSA C22.2)
  - 2) NEMA 2 VENTILATED ENCLOSURE ENCLOSURE RATED FOR NEMA 3R WHEN OPTIONAL WEATHERSHIELD ACCESSORY IS INSTALLED.
  - 3) MINIMUM CLEARANCE OF 3.00[76] BETWEEN VENT OPENINGS, WALL OR OTHER OBSTRUCTION
  - 4) SHADED AREAS DENOTE CUSTOMER CONDUIT ENTRANCE LOCATIONS, AVAILABLE BOTH SIDES AND BOTTOM

DUAL DIMENSIONS: INCHES  
MILLIMETERS

LOW VOLTAGE ENERGY EFFICIENT, TP1  
 DRY-TYPE TRANSFORMER  
 CATALOG NO EE750T79H  
 3 PHASE, 750KVA, AL  
 PRIMARY 600 DELTA ,SECONDARY 208Y/120



DWG# 6312-0072  
NO.

