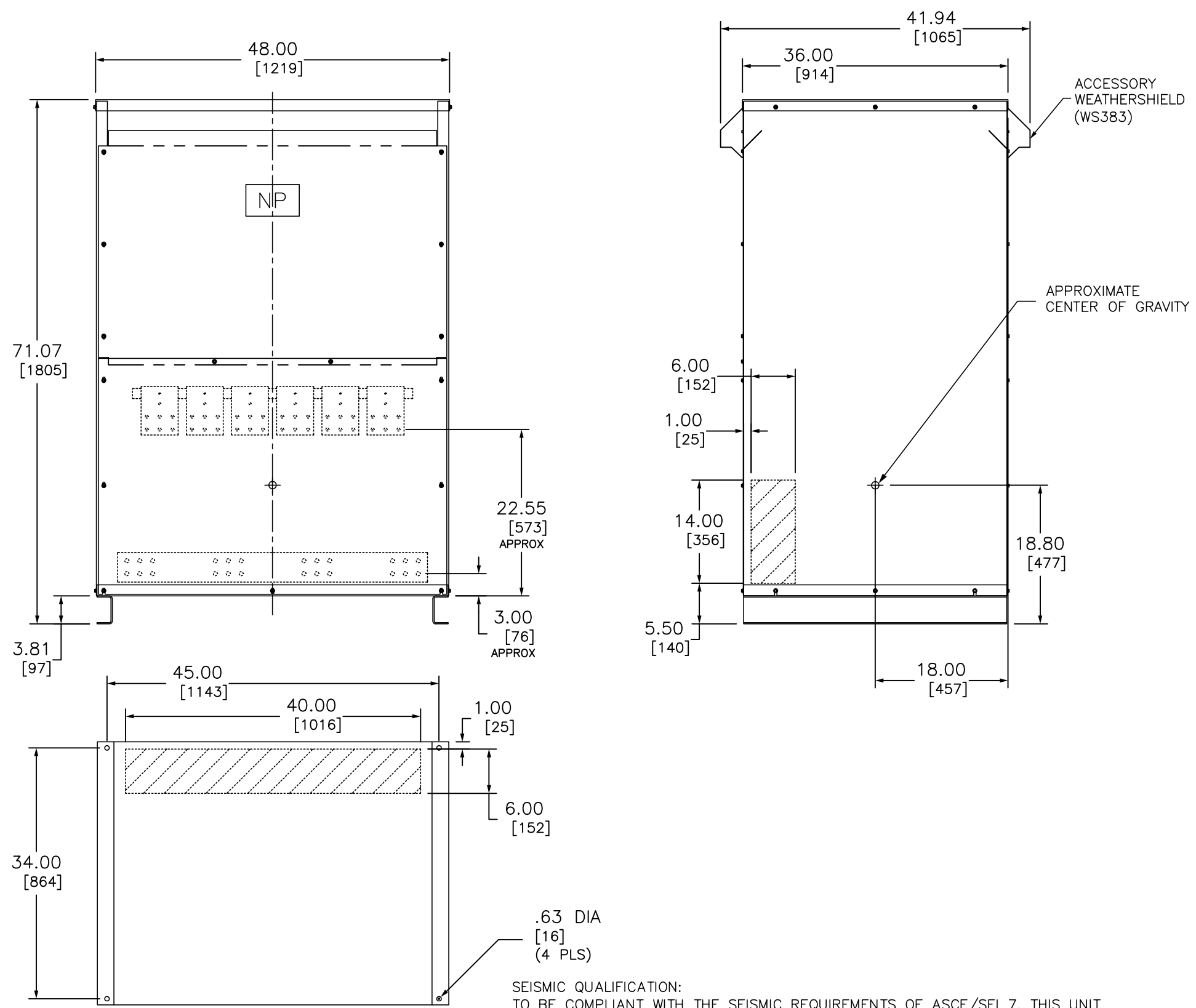
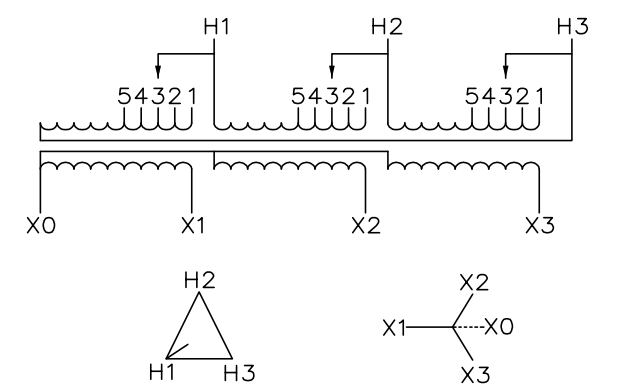


j:\vopdwg\Customer Drawings\Online Approval Drawings\EE500T68HBCU.DWG 11/14/2007 8:23:52 AM



IN EACH PHASE CONNECT TO TAPS	
PRIMARY VOLTS	2-2.5% FCAN 2-2.5% FCBN
504	1
492	2
480	3
468	4
456	5




TRANSFORMER SPECIFICATIONS
 500 KVA 3Ø 60 HZ
 PRIMARY VOLTAGE 480 DELTA
 SECONDARY VOLTAGE 208Y/120
 80 °C RISE ABOVE 40°C AMBIENT
 220°C INSULATION SYSTEM
 COPPER WINDINGS
 APPROXIMATE WEIGHT: 2578 LBS
 GUARANTEED SOUND LEVEL: 60 dB
 EFFICIENCY @35%: 98.7% AVG. CONFORMS
 TO NEMA TP 1 - 2002 AND CSA C802.2

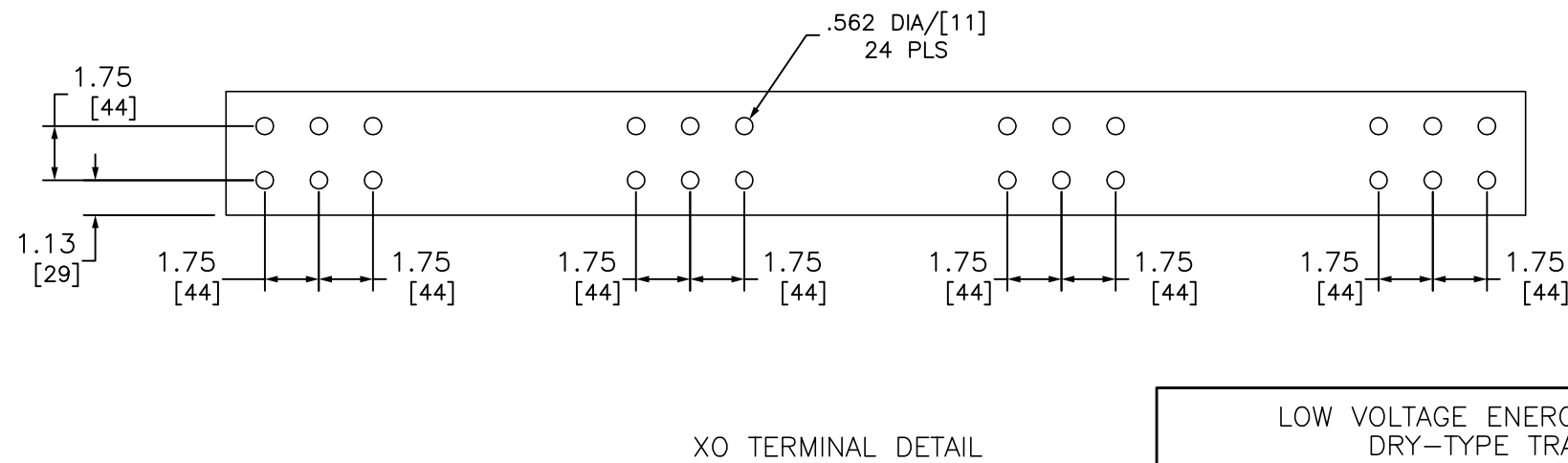
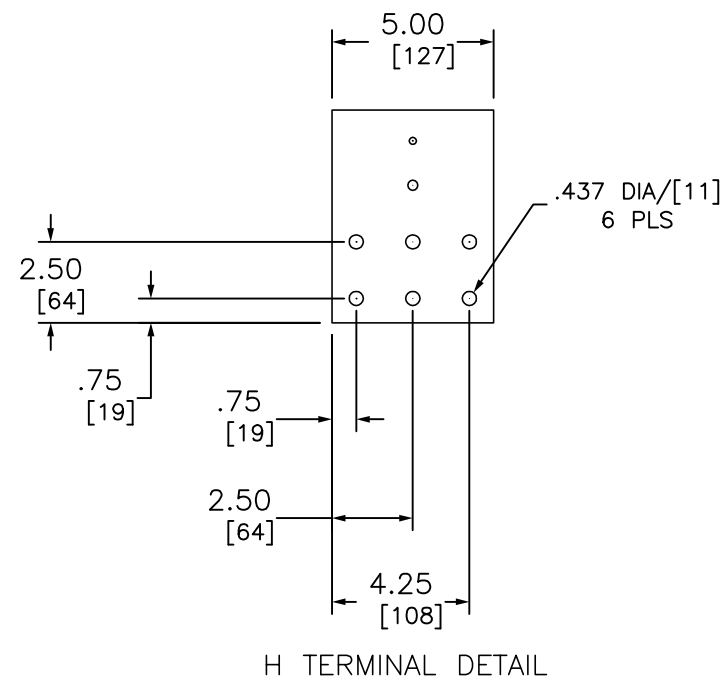
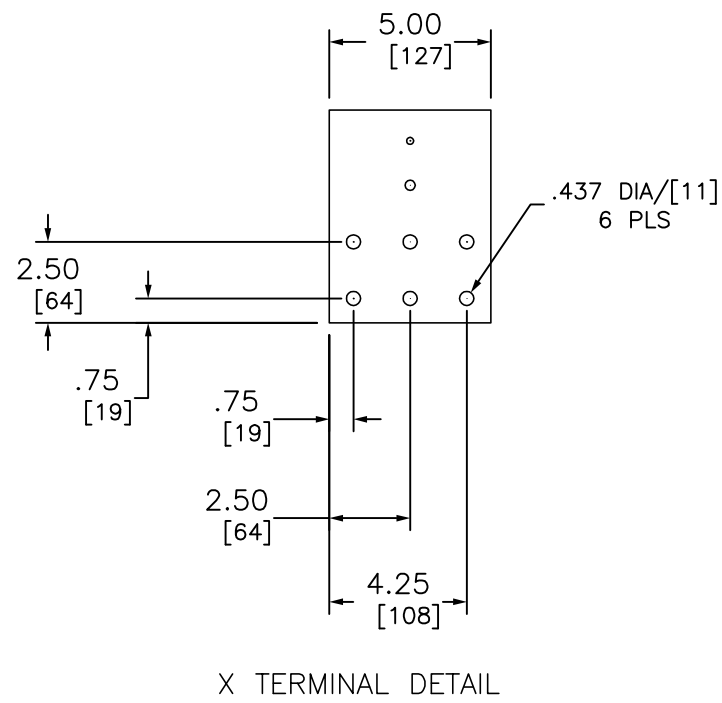
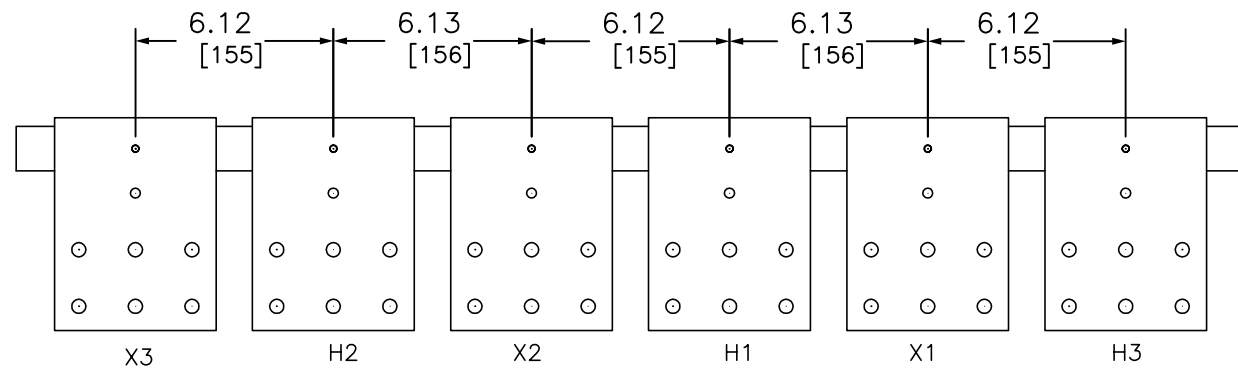
- NOTES:
- 1) cULus LISTED (MEETING UL 1561 AND CSA C22.2)
 - 2) NEMA 2 VENTILATED ENCLOSURE ENCLOSURE RATED FOR NEMA 3R WHEN OPTIONAL WEATHERSHIELD ACCESSORY IS INSTALLED.
 - 3) MINIMUM CLEARANCE OF 3.00[76] BETWEEN VENT OPENINGS, WALL OR OTHER OBSTRUCTION
 - 4) SHADED AREAS DENOTE CUSTOMER CONDUIT ENTRANCE LOCATIONS, AVAILABLE BOTH SIDES AND BOTTOM

SEISMIC QUALIFICATION:
 TO BE COMPLIANT WITH THE SEISMIC REQUIREMENTS OF ASCE/SEI 7, THIS UNIT HAS BEEN QUALIFIED BY SHAKE TABLE TESTING THROUGH SELF CERTIFICATION TO ICC ES AC156. CONTACT YOUR LOCAL SCHNEIDER ELECTRIC/SQUARE D REPRESENTATIVE FOR RELATED QUESTIONS.

DUAL DIMENSIONS: INCHES
 MILLIMETERS

LOW VOLTAGE ENERGY EFFICIENT, TP1
 DRY-TYPE TRANSFORMER
 CATALOG NO EE500T68HBCU
 3 PHASE, 500kVA, CU
 PRIMARY 480 DELTA ,SECONDARY 208Y/120


 DWG# 6312-0061
 NO.



DUAL DIMENSIONS: INCHES
MILLIMETERS

LOW VOLTAGE ENERGY EFFICIENT, TP1
 DRY-TYPE TRANSFORMER
 CATALOG NO EE500T68HBCU
 3 PHASE, 500kVA, CU
 PRIMARY 480 DELTA ,SECONDARY 208Y/120



DWG# 6312-0061
 NO.