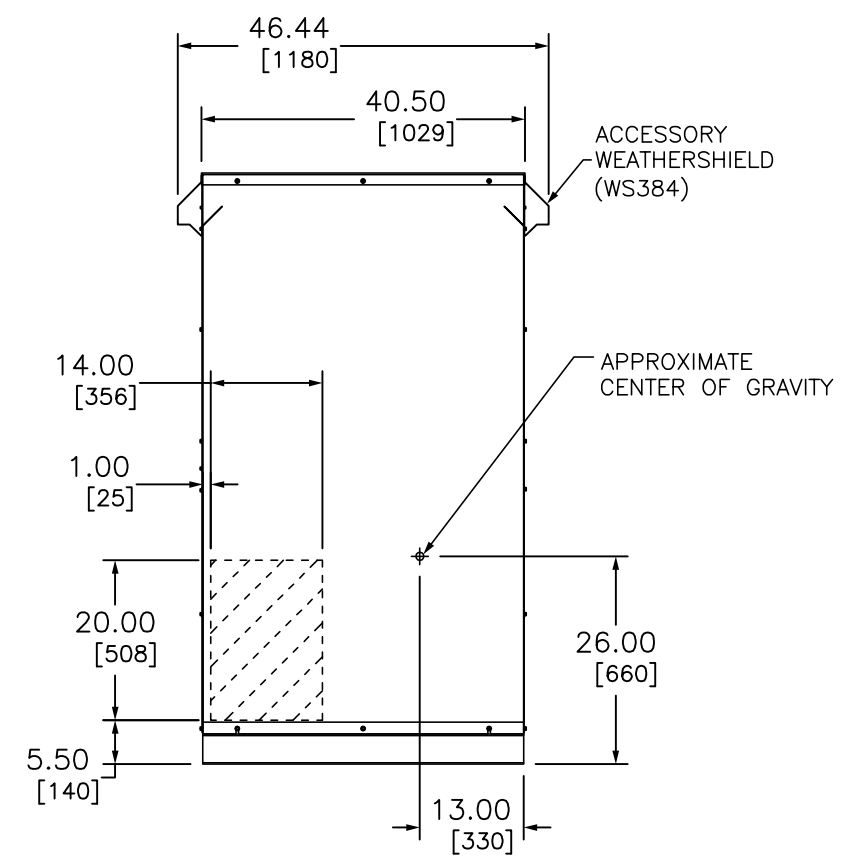
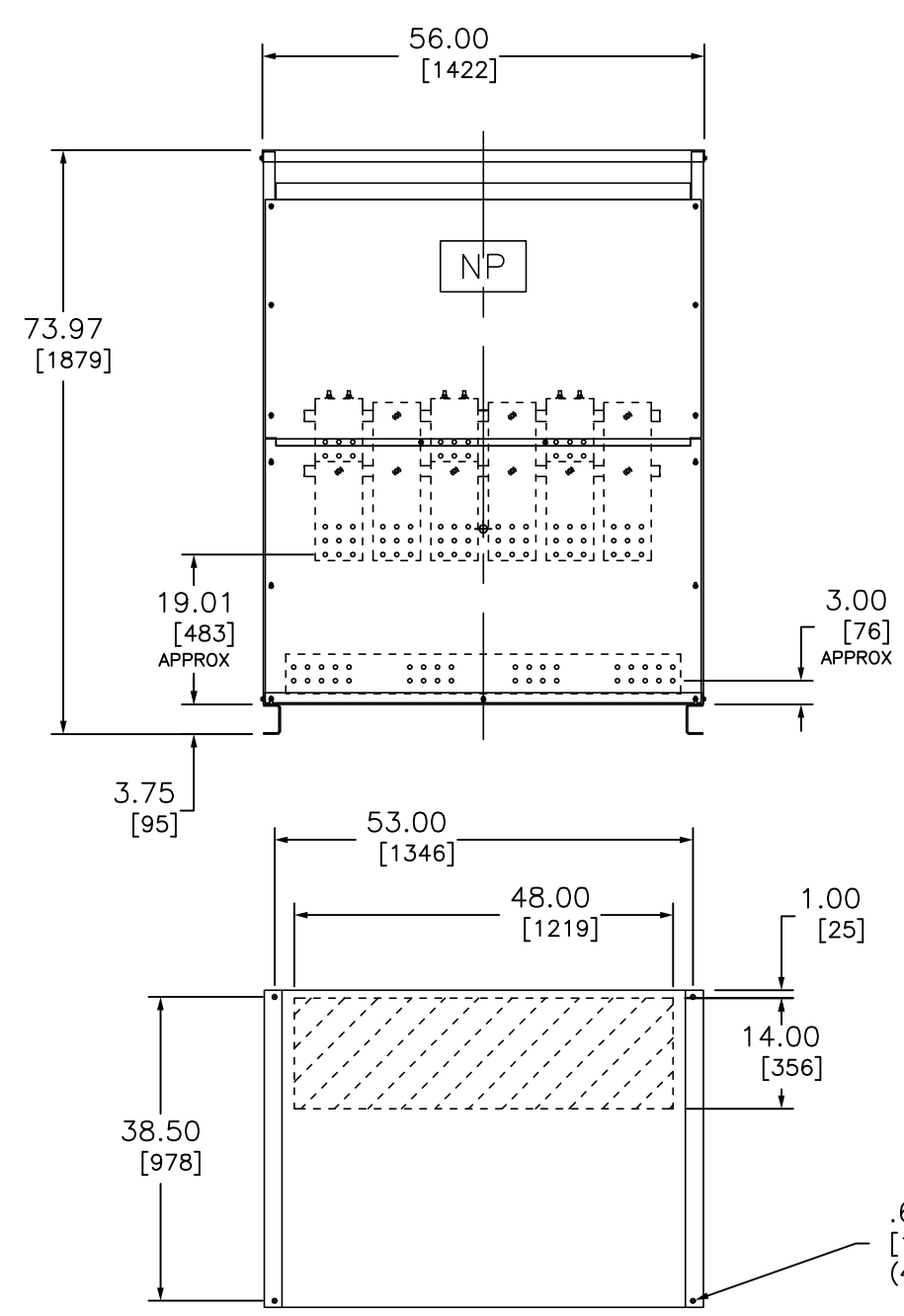
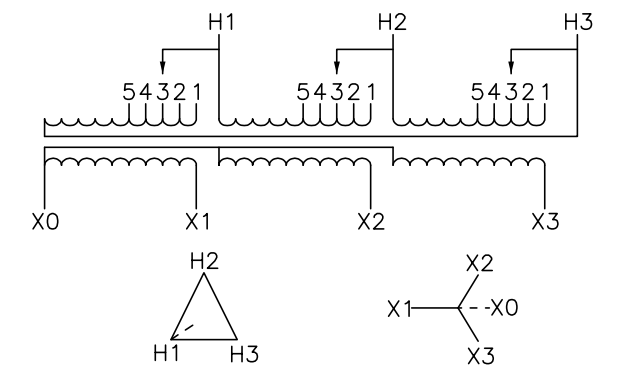


j:\vopdwg\customer Drawings\Online Approval Drawings\EE500T68HB.DWG 11/14/2007 8:23:46 AM



IN EACH PHASE CONNECT TO TAPS	
PRIMARY VOLTS	2-2.5% FCAN 4-2.5% FCBN
504	1
492	2
480	3
468	4
456	5



TRANSFORMER SPECIFICATIONS
 500 KVA 3Ø 60 HZ
 PRIMARY VOLTAGE 480 DELTA
 SECONDARY VOLTAGE 208Y/120
 80 °C RISE ABOVE 40°C AMBIENT
 220°C INSULATION SYSTEM
 ALUMINUM WINDINGS
 APPROXIMATE WEIGHT: 2964 LBS
 GUARANTEED SOUND LEVEL: 60 dB
 EFFICIENCY @35%: 98.7% AVG. CONFORMS
 TO NEMA TP 1 - 2002 AND CSA C802.2

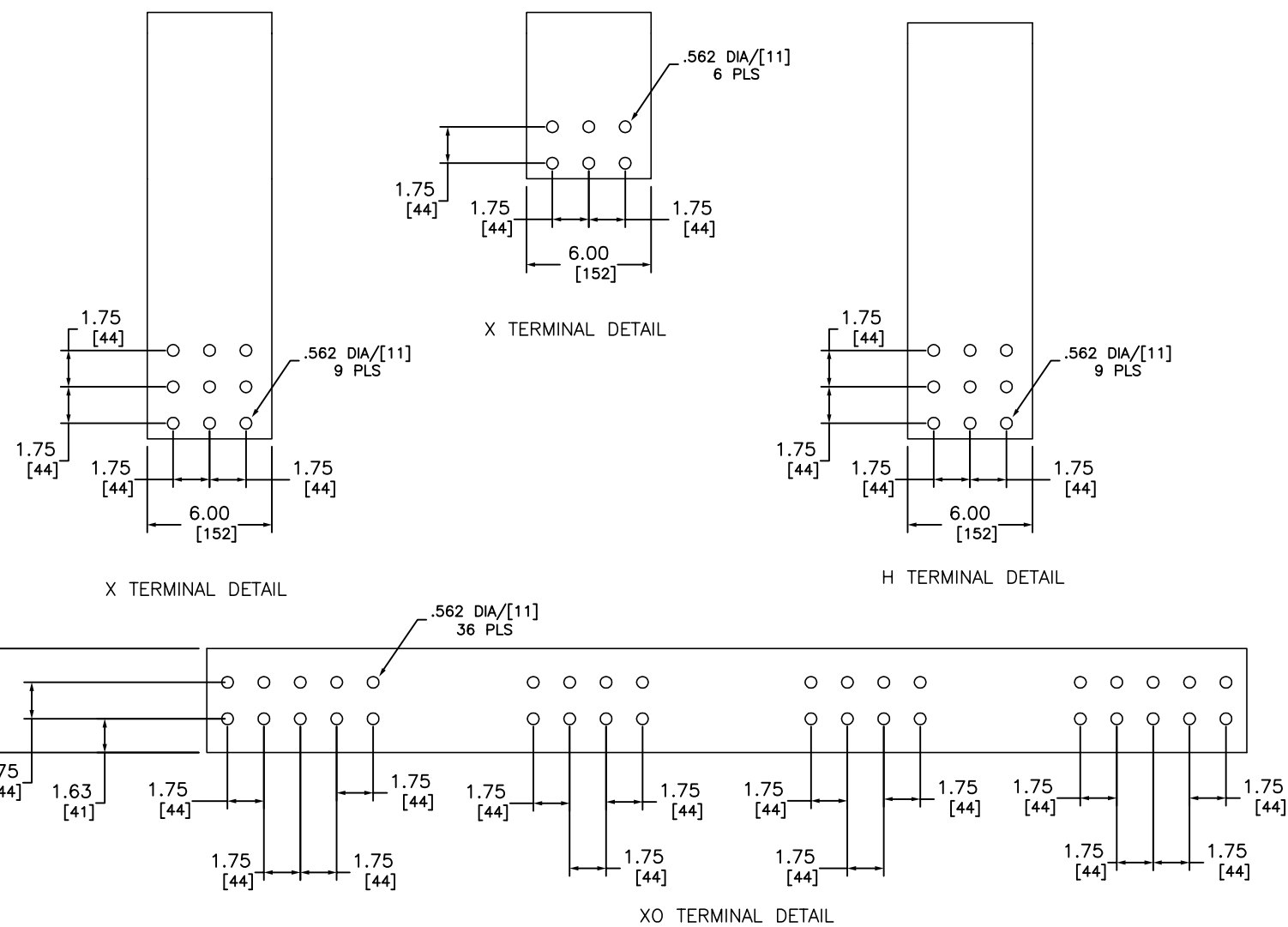
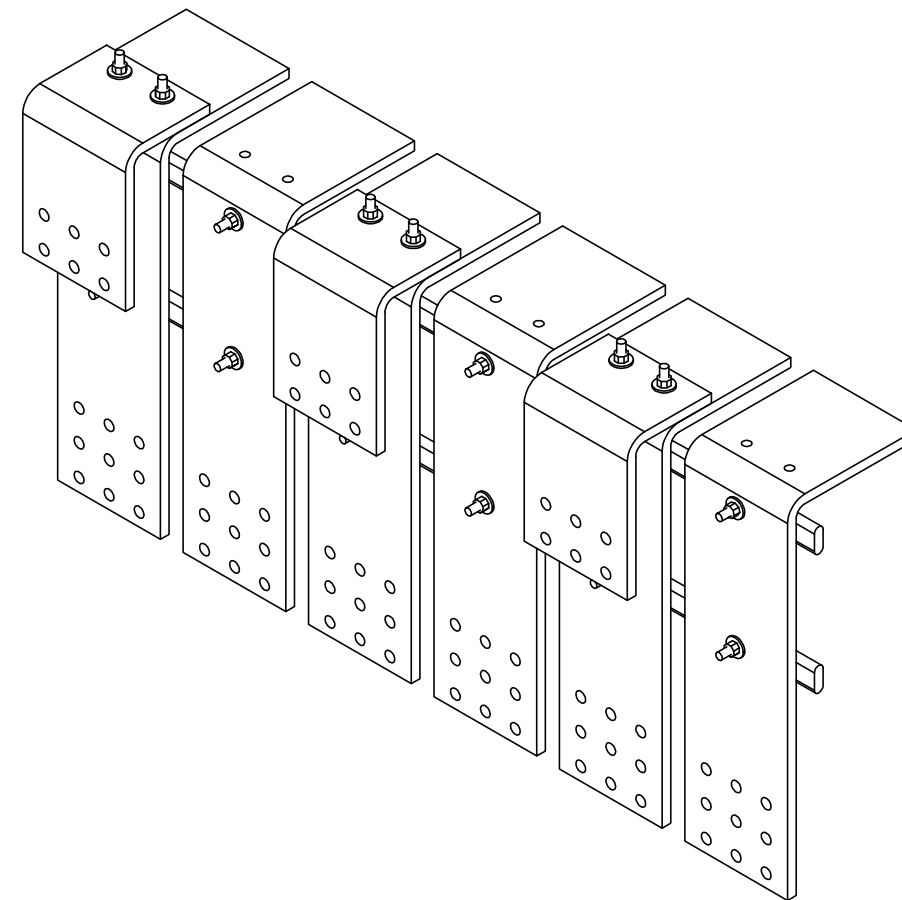
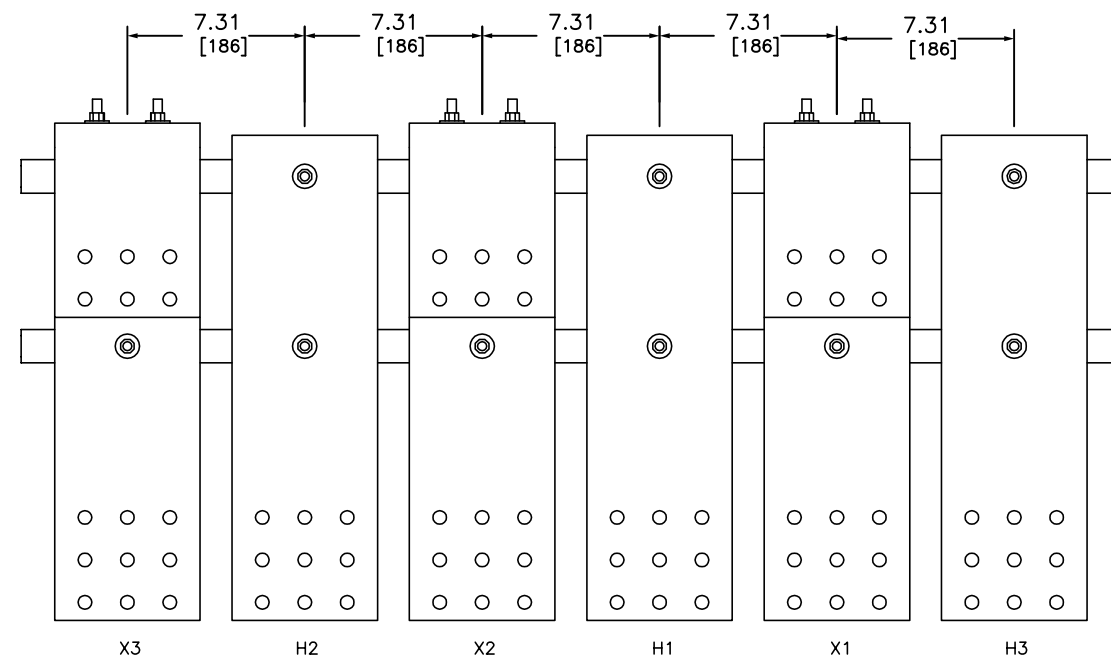
SEISMIC QUALIFICATION:
 TO BE COMPLIANT WITH THE SEISMIC REQUIREMENTS OF ASCE/SEI 7, THIS
 UNIT HAS BEEN QUALIFIED BY SHAKE TABLE TESTING THROUGH SELF
 CERTIFICATION TO ICC ES AC156. CONTACT YOUR LOCAL SCHNEIDER
 ELECTRIC/SQUARE D REPRESENTATIVE FOR RELATED QUESTIONS.

- NOTES:**
- 1) cULus LISTED (MEETING UL 1561 AND CSA C22.2)
 - 2) NEMA 2 VENTILATED ENCLOSURE
ENCLOSURE RATED FOR NEMA 3R WHEN OPTIONAL WEATHERSHIELD ACCESSORY IS INSTALLED.
 - 3) MINIMUM CLEARANCE OF 3.00[76] BETWEEN VENT OPENINGS, WALL OR OTHER OBSTRUCTION
 - 4) SHADED AREAS DENOTE CUSTOMER CONDUIT ENTRANCE LOCATIONS, AVAILABLE BOTH SIDES AND BOTTOM

DUAL DIMENSIONS: INCHES
MILLIMETERS

LOW VOLTAGE ENERGY EFFICIENT, TP1
 DRY-TYPE TRANSFORMER
 CATALOG NO EE500T68HB
 3 PHASE, 500KVA, AL
 PRIMARY 480 DELTA ,SECONDARY 208Y/120

DWG# 6312-0041
NO.



DUAL DIMENSIONS: INCHES
MILLIMETERS

LOW VOLTAGE ENERGY EFFICIENT, TP1
DRY-TYPE TRANSFORMER
CATALOG NO EE500T68HB
3 PHASE, 500kVA, AL
PRIMARY 480 DELTA ,SECONDARY 208Y/120



DWG# 6312-0041
NO.