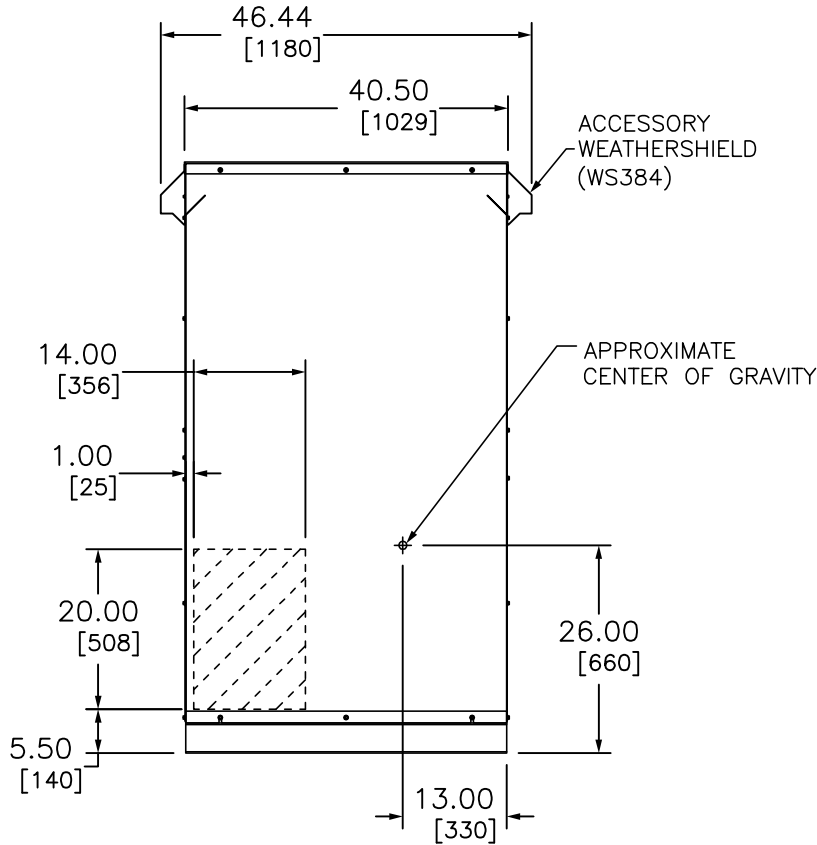
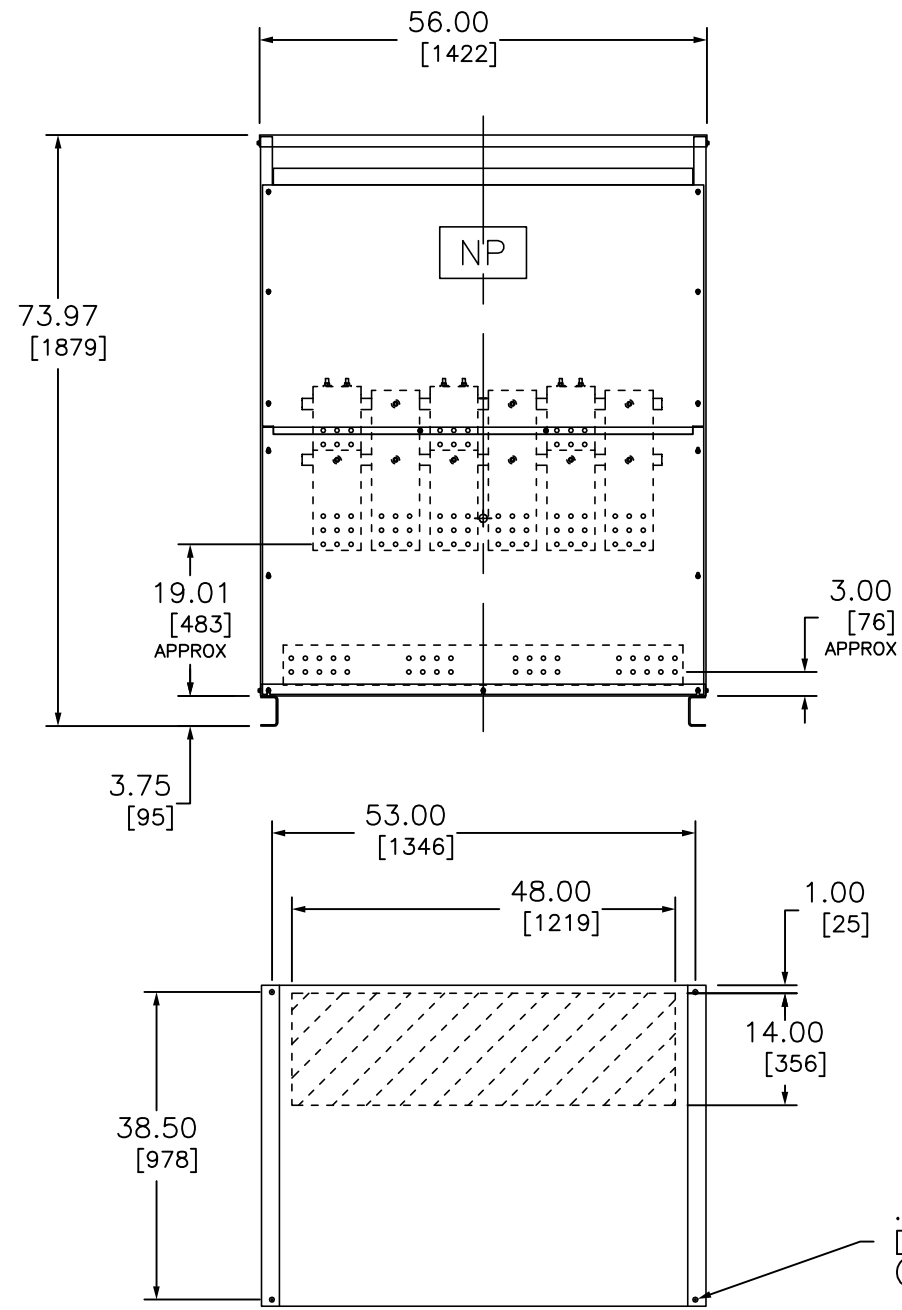
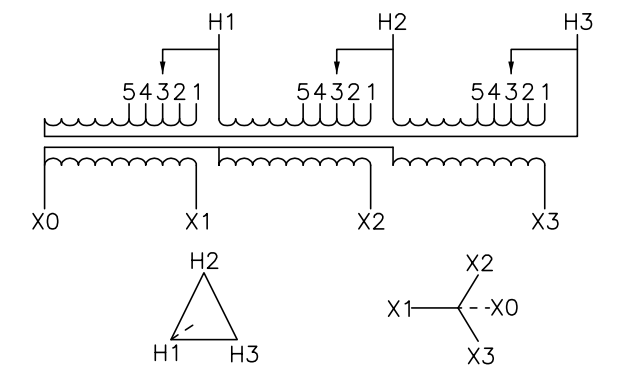


j:\vopdwg\Customer Drawings\Online Approval Drawings\EE750T68H.DWG 11/14/2007 8:25:55 AM



IN EACH PHASE CONNECT TO TAPS	
PRIMARY VOLTS	2-2.5% FCAN 4-2.5% FCBN
504	1
492	2
480	3
468	4
456	5



TRANSFORMER SPECIFICATIONS
 750 KVA 3Ø 60 HZ
 PRIMARY VOLTAGE 480 DELTA
 SECONDARY VOLTAGE 208Y/120
 150 °C RISE ABOVE 40°C AMBIENT
 220 °C INSULATION SYSTEM
 ALUMINUM WINDINGS
 APPROXIMATE WEIGHT: 2964 LBS
 GUARANTEED SOUND LEVEL: 64 dB
 EFFICIENCY @35%: 98.8% AVG. CONFORMS
 TO NEMA TP 1 - 2002 AND CSA C802.2

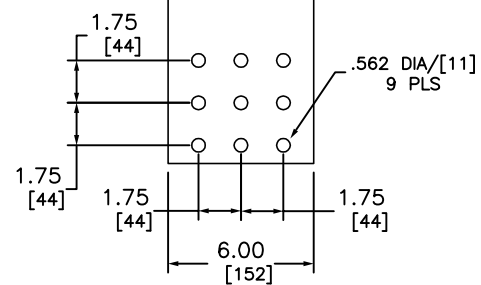
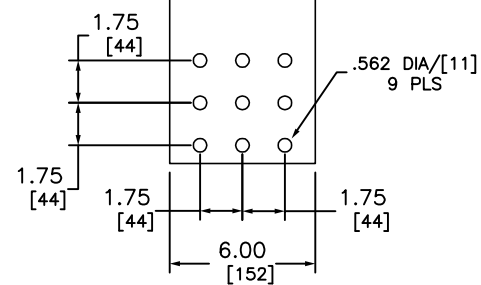
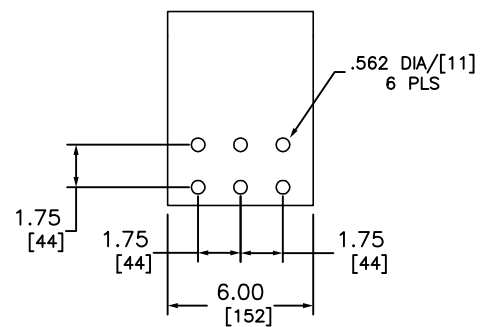
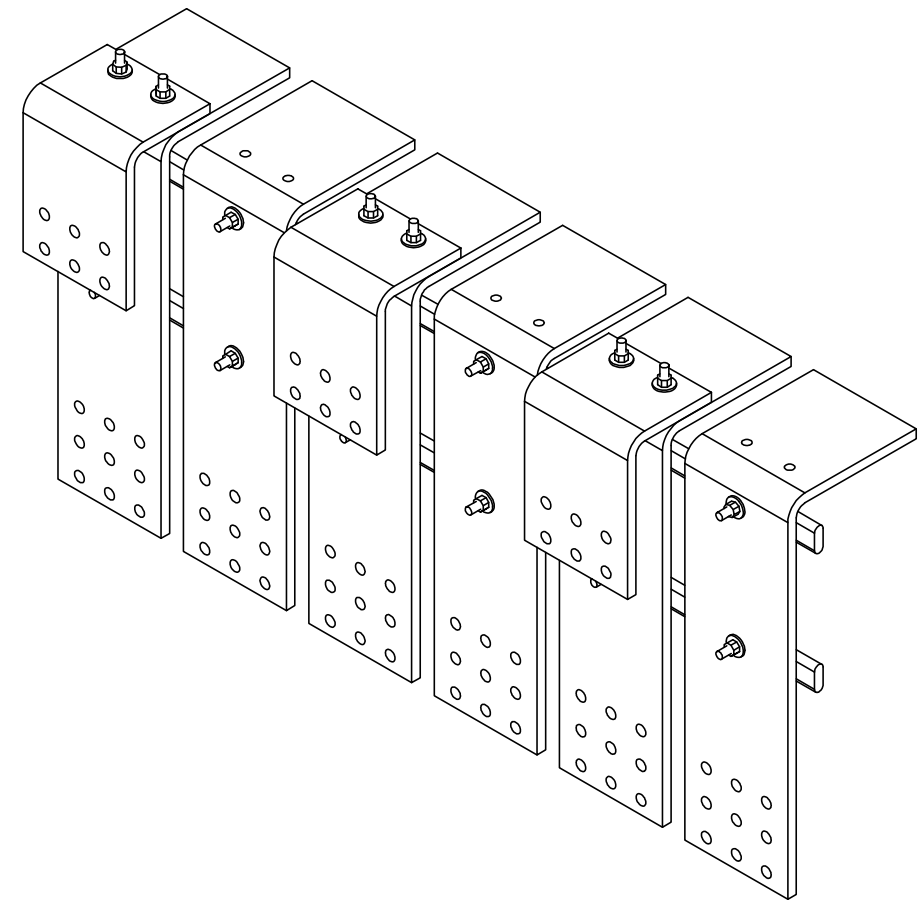
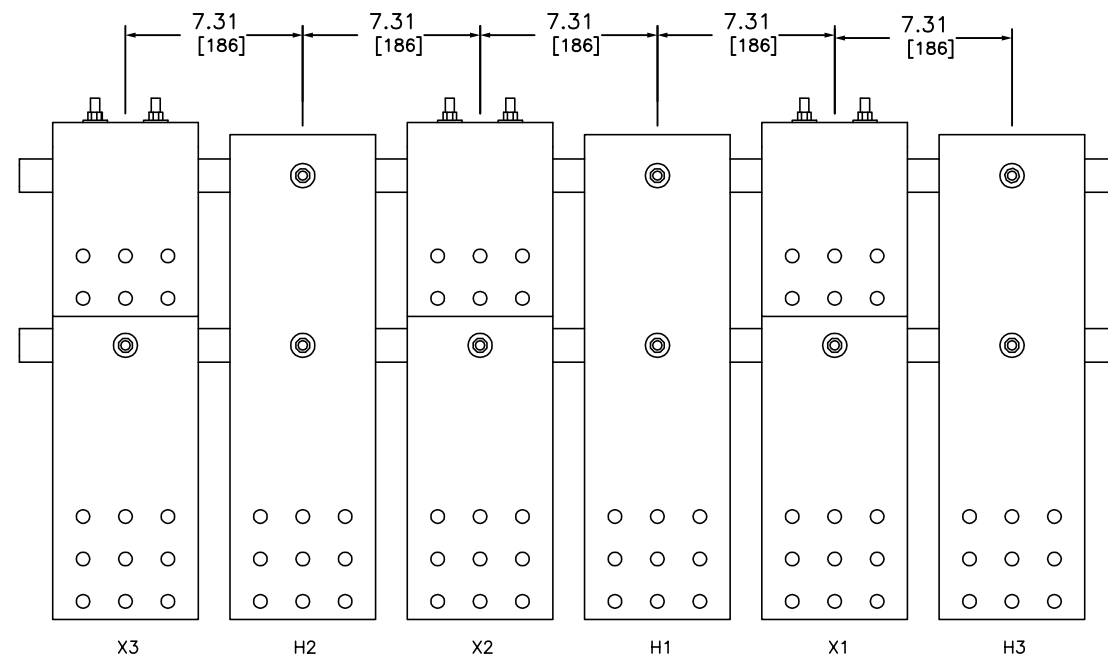
SEISMIC QUALIFICATION:
 TO BE COMPLIANT WITH THE SEISMIC REQUIREMENTS OF ASCE/SEI 7, THIS UNIT
 HAS BEEN QUALIFIED BY SHAKE TABLE TESTING THROUGH SELF CERTIFICATION
 TO ICC ES AC156. CONTACT YOUR LOCAL SCHNEIDER ELECTRIC/SQUARE D
 REPRESENTATIVE FOR RELATED QUESTIONS.

- NOTES:**
- 1) cULus LISTED (MEETING UL 1561 AND CSA C22.2)
 - 2) NEMA 2 VENTILATED ENCLOSURE
ENCLOSURE RATED FOR NEMA 3R WHEN OPTIONAL
WEATHERSHIELD ACCESSORY IS INSTALLED.
 - 3) MINIMUM CLEARANCE OF 3.00[76] BETWEEN VENT
OPENINGS, WALL OR OTHER OBSTRUCTION
 - 4) SHADED AREAS DENOTE CUSTOMER CONDUIT
ENTRANCE LOCATIONS, AVAILABLE BOTH SIDES
AND BOTTOM

DUAL DIMENSIONS: INCHES
MILLIMETERS

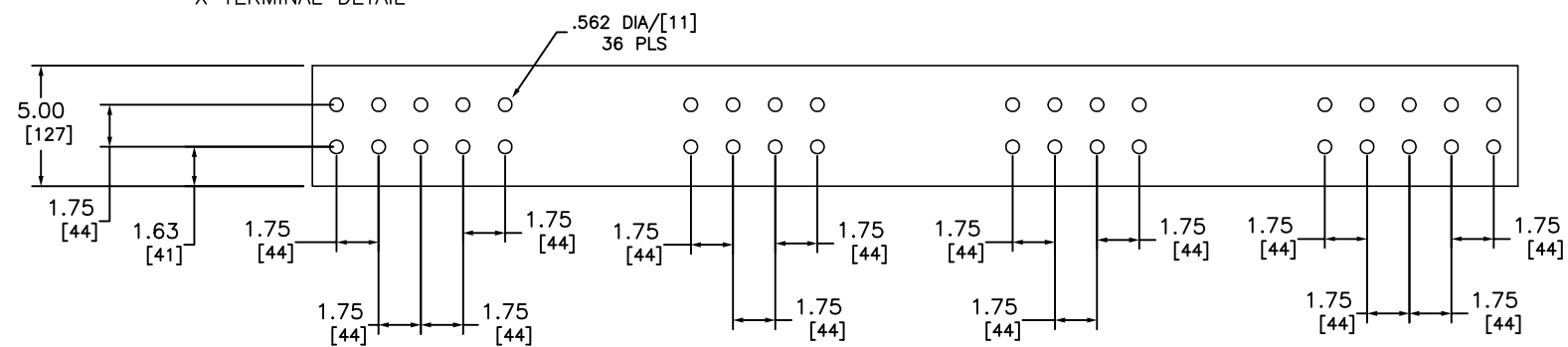
LOW VOLTAGE ENERGY EFFICIENT, TP1
 DRY-TYPE TRANSFORMER
 CATALOG NO EE750T68H
 3 PHASE, 750KVA, AL
 PRIMARY 480 DELTA ,SECONDARY 208Y/120

DWG# 6312-0010
NO.



X TERMINAL DETAIL

H TERMINAL DETAIL



XO TERMINAL DETAIL

DUAL DIMENSIONS: INCHES
MILLIMETERS

LOW VOLTAGE ENERGY EFFICIENT, TP1
 DRY-TYPE TRANSFORMER
 CATALOG NO EE750T68H
 3 PHASE, 750kVA, AL
 PRIMARY 480 DELTA ,SECONDARY 208Y/120



DWG# 6312-0010
 NO.