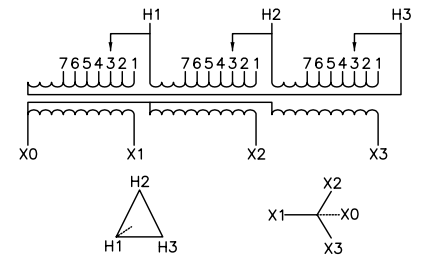


IN EACH PHASE CONNECT TO TAPS	
PRIMARY VOLTS	2-2.5% FCAN 4-2.5% FCBN
504	1
492	2
480	3
468	4
456	5
444	6
432	7



**TRANSFORMER SPECIFICATIONS:**  
 150 kVA 3Ø 60 HZ  
 PRIMARY VOLTAGE 480 DELTA  
 SECONDARY VOLTAGE 208Y/120  
 150 °C RISE ABOVE 40°C AMBIENT  
 220 °C INSULATION SYSTEM  
 ALUMINUM WINDINGS  
 APPROXIMATE WEIGHT: 950 LBS  
 GUARANTEED SOUND LEVEL: 50 dB  
 EFFICIENCY @35%: 98.3% AVG. CONFORMS  
 TO NEMA TP 1 - 2002 AND CSA C802.2

- NOTES:  
 1) cULus LISTED (MEETING UL 1561 AND CSA C22.2)  
 2) NEMA 2 VENTILATED ENCLOSURE ENCLOSURE RATED FOR NEMA 3R WHEN OPTIONAL WEATHERSHIELD ACCESSORY IS INSTALLED.  
 3) MINIMUM CLEARANCE OF 3.00[76] BETWEEN VENT OPENINGS, WALL OR OTHER OBSTRUCTION  
 4) SHADED AREAS DENOTE CUSTOMER CONDUIT ENTRANCE LOCATIONS, AVAILABLE BOTH SIDES AND BOTTOM

ACCESSORY CEILING MOUNTING BRACKETS (CMB380)

.63 DIA [16] (4 PLS)

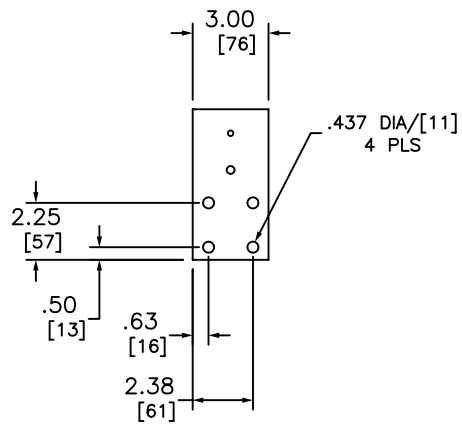
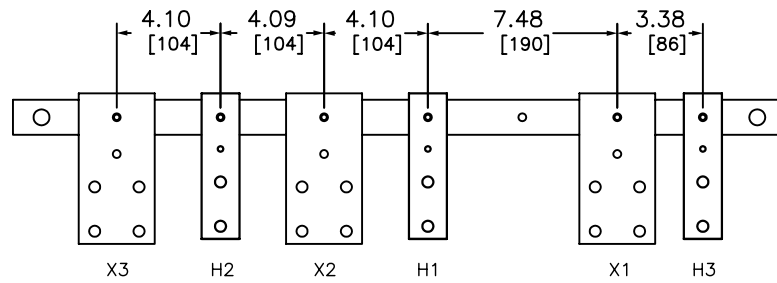
SEISMIC QUALIFICATION:  
 TO BE COMPLIANT WITH THE SEISMIC REQUIREMENTS OF ASCE/SEI 7, THIS UNIT HAS BEEN QUALIFIED BY SHAKE TABLE TESTING THROUGH SELF CERTIFICATION TO ICC ES AC156. CONTACT YOUR LOCAL SCHNEIDER ELECTRIC/SQUARE D REPRESENTATIVE FOR RELATED QUESTIONS.

DUAL DIMENSIONS: INCHES MILLIMETERS

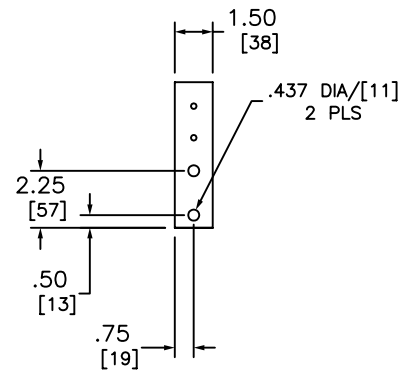
LOW VOLTAGE ENERGY EFFICIENT, TP1  
 DRY-TYPE TRANSFORMER  
 CATALOG NO EE150T3H  
 3 PHASE, 150kVA, AL  
 PRIMARY 480 DELTA ,SECONDARY 208Y/120

**SQUARE D**  
 Schneider Electric

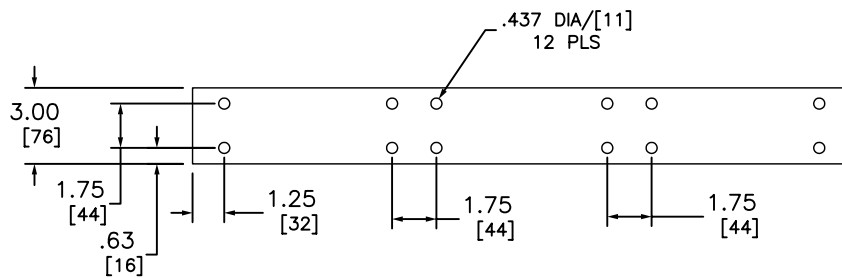
DWG# 6312-0006  
 No.



X TERMINAL DETAIL



H TERMINAL DETAIL



XO TERMINAL DETAIL

DUAL DIMENSIONS: INCHES  
MILLIMETERS

ENERGYSTAR  
DRY-TYPE TRANSFORMER  
CATALOG NO. EE150T3H  
3 PHASE, 150kVA, AL  
PRIMARY 480 DELTA, SECONDARY 208Y/120



DWG# 6312-0006  
NO.