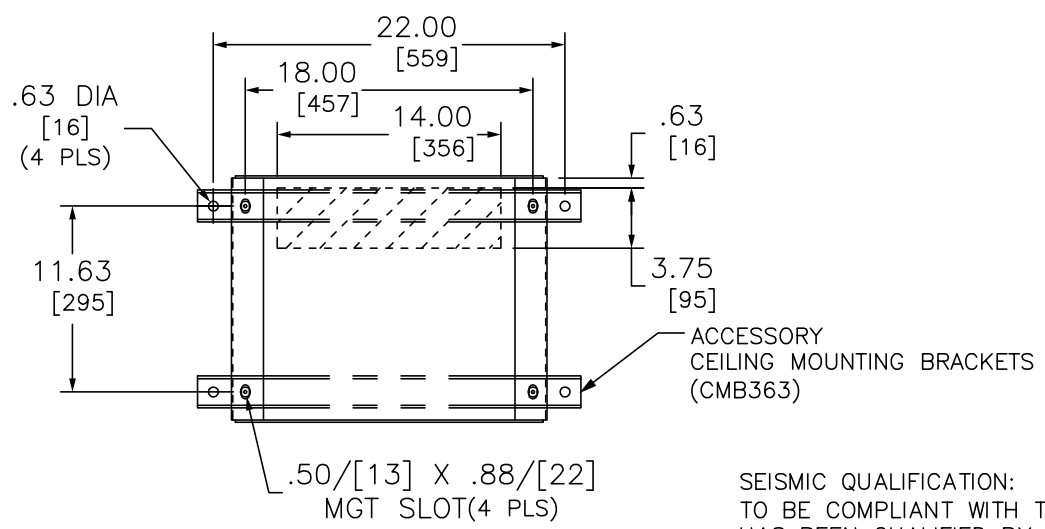
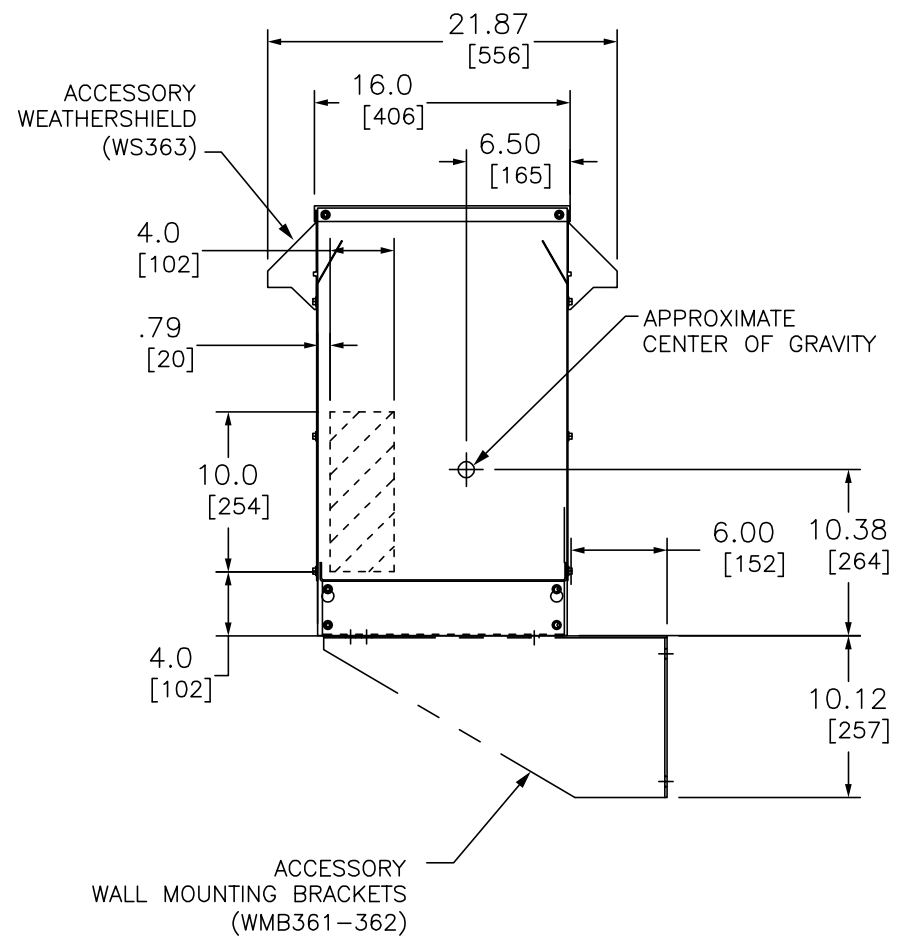
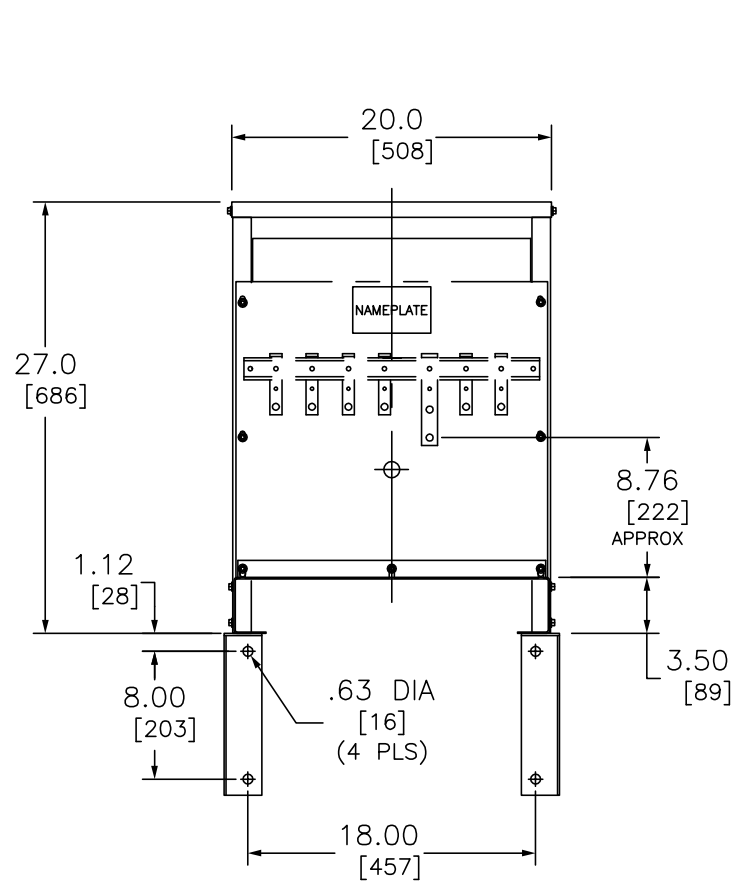
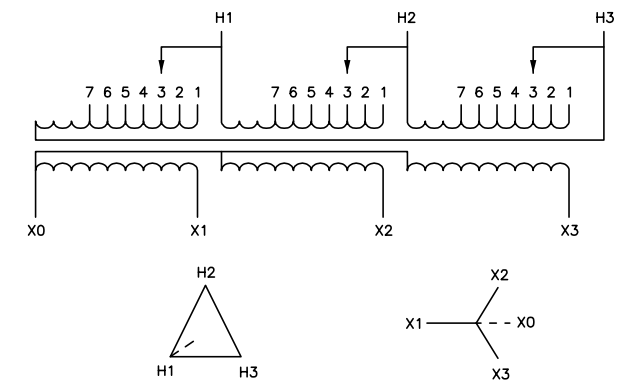


j:\vopdwg\Customer Drawings\Online Approval Drawings\EE15T3H.DWG 11/14/2007 8:11:37 AM



SEISMIC QUALIFICATION:
TO BE COMPLIANT WITH THE SEISMIC REQUIREMENTS OF ASCE/SEI 7, THIS UNIT HAS BEEN QUALIFIED BY SHAKE TABLE TESTING THROUGH SELF CERTIFICATION TO ICC ES AC156. CONTACT YOUR LOCAL SCHNEIDER ELECTRIC/SQUARE D REPRESENTATIVE FOR RELATED QUESTIONS.

IN EACH PHASE CONNECT TO TAPS	
PRIMARY VOLTS	2-2.5% FCAN 4-2.5% FCBN
504	1
492	2
480	3
468	4
456	5
444	6
432	7



TRANSFORMER SPECIFICATIONS:
15 KVA 3Ø 60 HZ
PRIMARY VOLTAGE 480 DELTA
SECONDARY VOLTAGE 208Y/120
150°C RISE ABOVE 40°C AMBIENT
220°C INSULATION SYSTEM
ALUMINUM WINDINGS
APPROXIMATE WEIGHT: 220 LBS
GUARANTEED SOUND LEVEL: 45 dB
EFFICIENCY @35%: 97.0% AVG. CONFORMS TO NEMA TP 1 - 2002 AND CSA C802.2

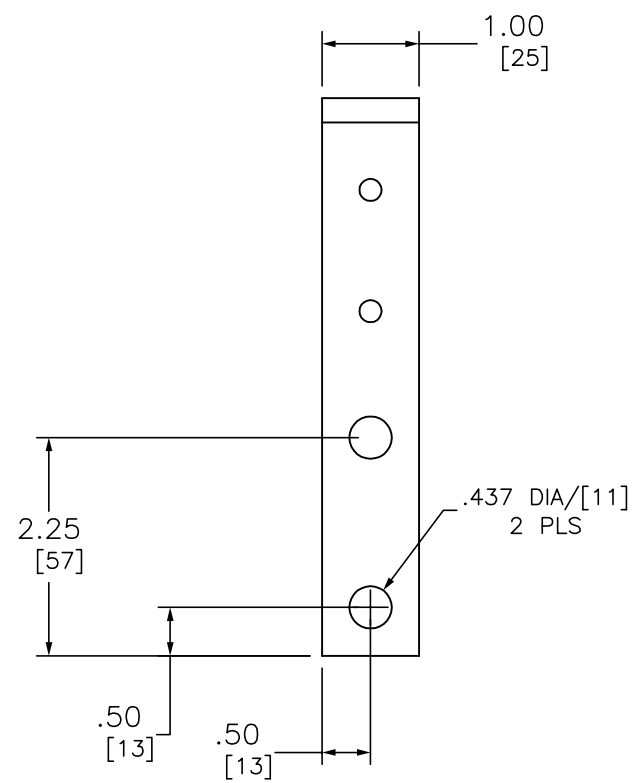
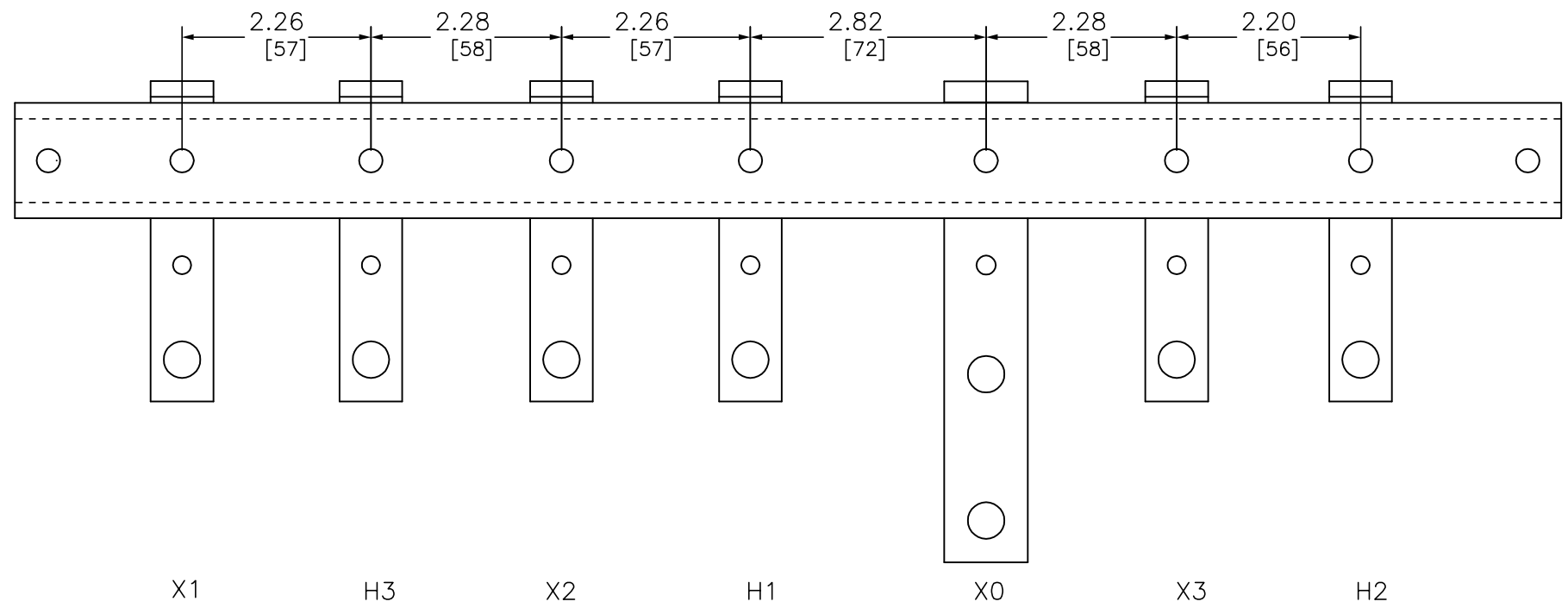
- NOTES:
1) cULus LISTED (MEETING UL 1561 AND CSA C22.2)
2) NEMA 2 VENTILATED ENCLOSURE ENCLOSURE RATED FOR NEMA 3R WHEN OPTIONAL WEATHERSHIELD ACCESSORY IS INSTALLED.
3) MINIMUM CLEARANCE OF 3.00[76] BETWEEN VENT OPENINGS, WALL OR OTHER OBSTRUCTION
4) SHADED AREAS DENOTE CUSTOMER CONDUIT ENTRANCE LOCATIONS, AVAILABLE BOTH SIDES AND BOTTOM

DUAL DIMENSIONS: INCHES
MILLIMETERS

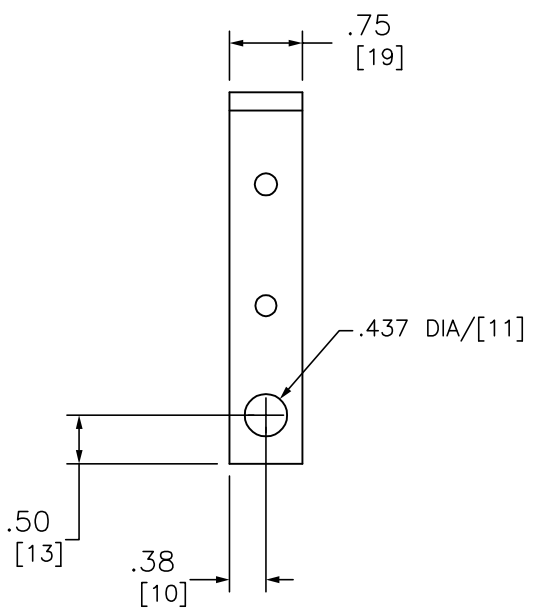
LOW VOLTAGE ENERGY EFFICIENT, TP1
DRY-TYPE TRANSFORMER
CATALOG NO EE15T3H
3 PHASE, 15kVA, AL
PRIMARY 480 DELTA ,SECONDARY 208Y/120



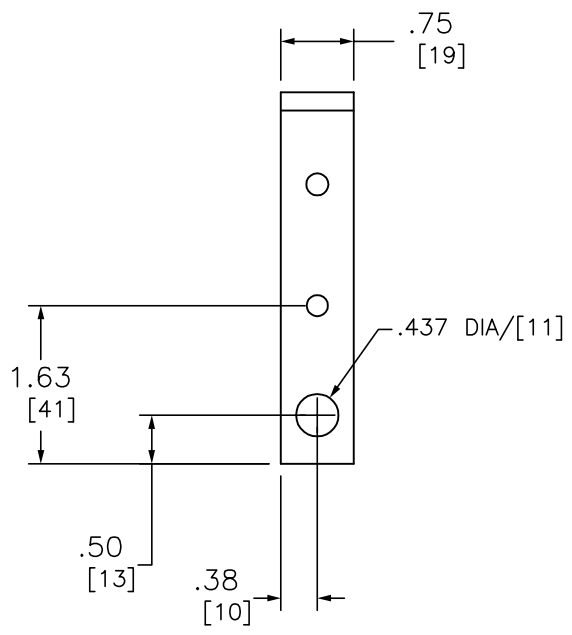
DWG# 6312-0001
NO.



XO TERMINAL DETAIL



X TERMINAL DETAIL



H TERMINAL DETAIL

DUAL DIMENSIONS: INCHES
MILLIMETERS

LOW VOLTAGE ENERGY EFFICIENT, TP1
 DRY-TYPE TRANSFORMER
 CATALOG NO EE15T3H
 3 PHASE, 15kVA, AL
 PRIMARY 480 DELTA ,SECONDARY 208Y/120



DWG# 6312-0001
 NO.