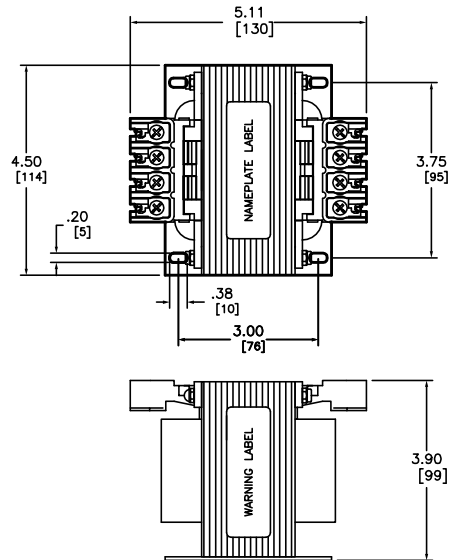


j:\wp\209\control online\5898.dwg 07/22/2008 12:18:04 PM

CATALOG NUMBER	PRIMARY VOLTAGE	SECONDARY VOLTAGE	50/60 Hz 1 PHASE		APPROXIMATE WEIGHT (Lbs/Kg)
			UL/cUL/CSA/NOM RATINGS (VA)	CE RATINGS (VA)	
9070T350D1	220/440 230/480 240/480	110 115 120	350	250	10.1 / 4.5
9070T350D2	240/480	24	350	250	9.5 / 4.3
9070T350D3	208	120	350	250	10.2 / 4.6
9070T350D4	277	120	350	250	10.4 / 4.5
9070T350D5	550 575 600	110 115 120	350	250	10.1 / 4.5
9070T350D12	440 460 480	220 230 240	350	250	10.2 / 4.6
9070T350D13	120	12/24	350	250	10.1 / 4.5
9070T350D14	208	24	350	250	10.4 / 4.5
9070T350D15	240/480	24/120	350	250	10.1 / 4.5
9070T350D22	480	277	350	250	10.1 / 4.5
9070T350D23	120/240	24	350	250	10.2 / 4.6
9070T350D24	110 115 120	110 115 120	350	250	10.1 / 4.5
9070T350D25	277	24	350	250	10.2 / 4.6
9070T350D31	220/440 230/460 240/480	110/220 115/230 120/240	350	250	10.1 / 4.5
9070T350D33	380/400/415	115/230	350	250	10.3 / 4.6
9070T350D36	600	12/24	350	250	10.2 / 4.6
9070T350D37	550 575 600	110/220 115/230 120/240	350	250	10.2 / 4.6
9070T350D52	380/400/415	12/24	350	250	10.2 / 4.6
9070T350D54	120/240	12/24	350	250	10.1 / 4.5
9070T350D55	110/220 115/230 120/240	110/220 115/230 120/240	350	250	9.9 / 4.4
9070T350D59	240/480	12/24	350	250	10.2 / 4.6
9070T350D60	277	120/240	350	250	9.5 / 4.3
9070T350D62	600	240	350	250	9.6 / 4.3



FILES/STANDARDS:
 UL/cUL FILE: E61239
 CSA FILE: LR37055
 CE: TUV-CERTIFIED TO 61558
 NOM 117

350VA—CONTROL POWER TRANSFORMER
 9070 TYPE T
 CATALOG NUMBERS: FROM CHART



DWG# 5898
 NO.