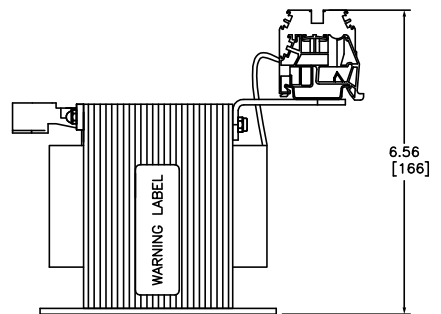
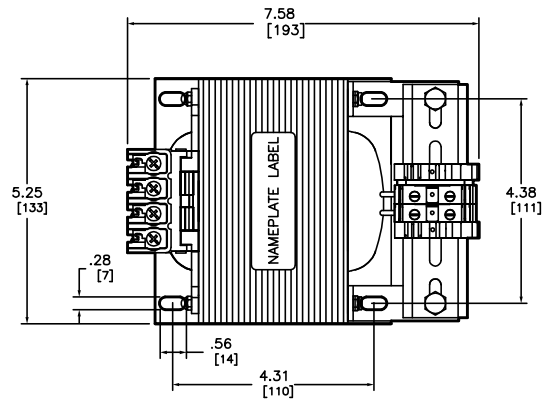


CATALOG NUMBER	PRIMARY VOLTAGE	SECONDARY VOLTAGE	50/60 Hz 1 PHASE		APPROXIMATE WEIGHT (Lbs/Kg)
			UL/cUL/CSA/NOM RATINGS (VA)	CE RATINGS (VA)	
9070T1000D2	240/480	24	1000	N/A	20.2 / 9.1
9070T1000D23	120/240	24	1000	N/A	20.3 / 9.2
9070T1000D25	277	24	1000	N/A	20.9 / 9.4



FILES/STANDARDS:  
 UL/cUL FILE: E61239  
 CSA FILE: LR37055  
 CE: TUV CERTIFIED TO 61558  
 NOM 117

1000VA--CONTROL POWER TRANSFORMER  
 9070 TYPE T  
 CATALOG NUMBERS: FROM CHART



DWG# 5869  
 NO.