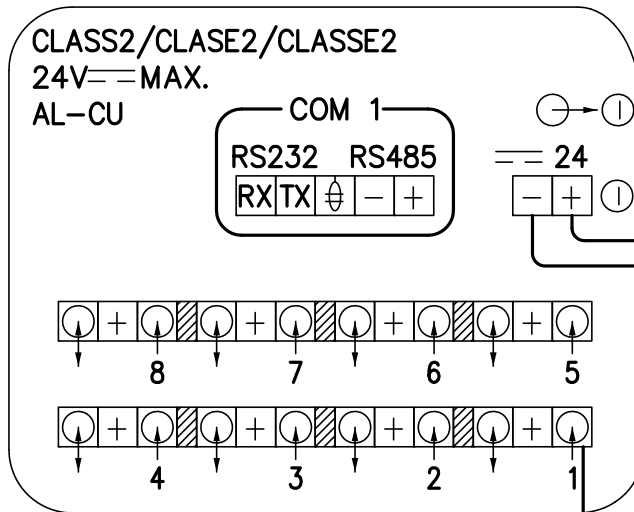


REV	DESCRIPTION	BY	DATE				
-	----	---	---/---/---	-	----	-	----




G3LC8E CONTROLLER

TYPE G3PC  
SENSOR (TYPICAL)



CONTROL WIRING  
#18-22AWG, CLASS 2  
1000FT (305m) MAX

POWERLINK G3 CLASS 1210  
PHOTO CELL WIRING DIAGRAM

JOB NAME: -----	EQUIPMENT DESIGNATION: -----
JOB LOCATION: -----	EQUIPMENT TYPE: -----
DRAWN BY: -----	DRAWING TYPE: -----
ENGR: -----	 <b>SQUARE D COMPANY</b> Schneider Electric
DATE: -----	
DRAWING STATUS: -----	DWG# 5216   PG 01 OF 01   REV -