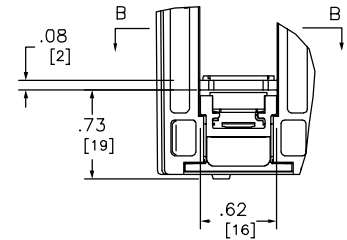
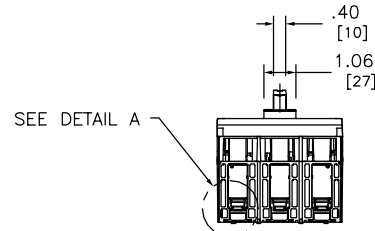
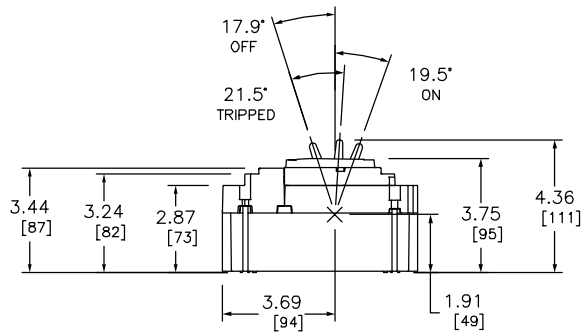


SECTION B-B



DETAIL A

DUAL DIMENSIONS: INCHES  
MILLIMETERS

H-FRAME  
15A - 150A  
3-POLE TOGGLE BUS BAR



DWG# 48996-019-01  
NO.