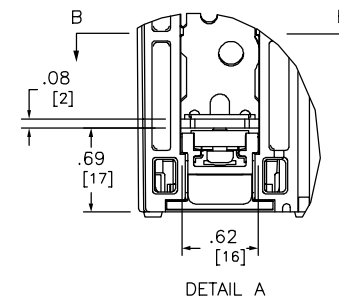
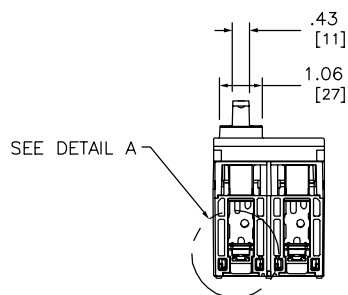
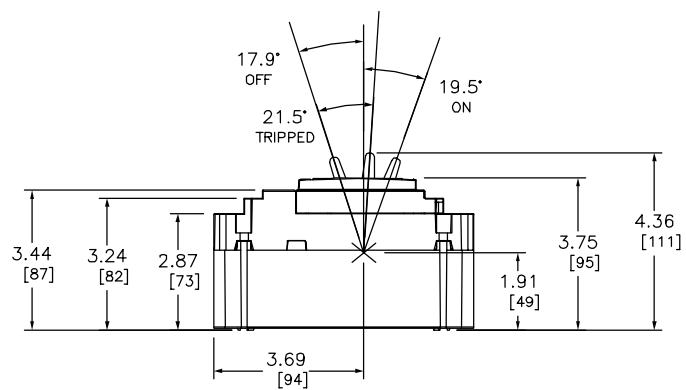


ISOMETRIC VIEW



DETAIL A

DUAL DIMENSIONS: INCHES
MILLIMETERS

HD AND HG
15A - 150A
2P TOGGLE BUS BAR



DWG# 48996-018-01
NO.