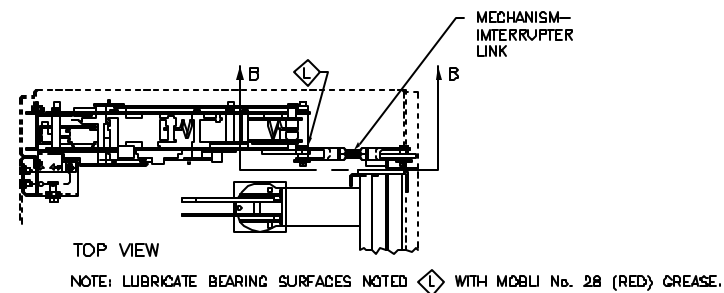
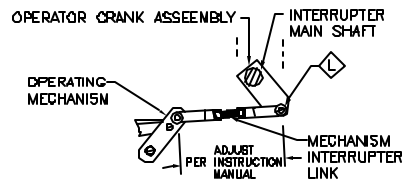
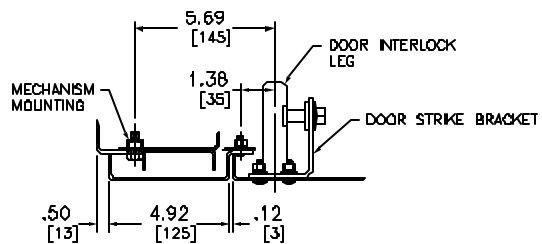
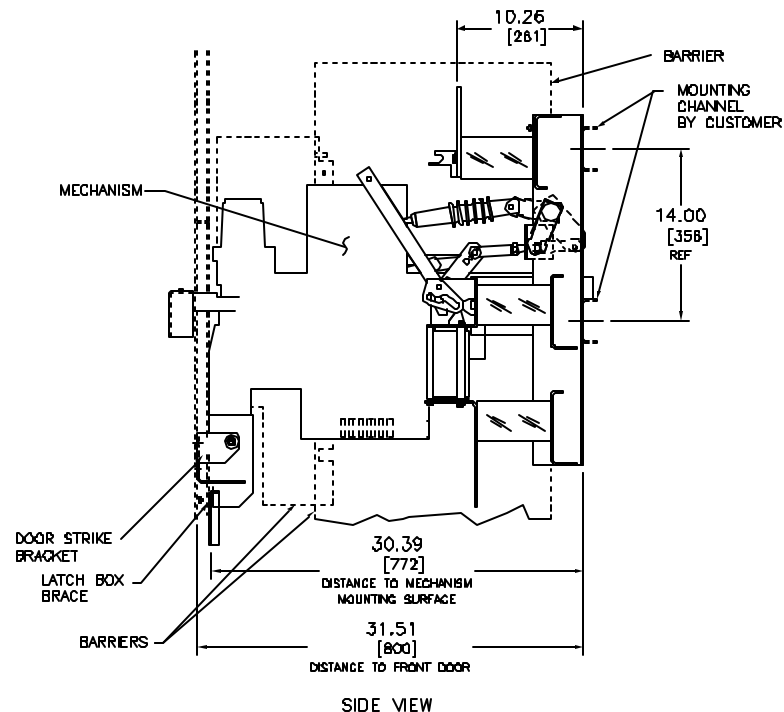
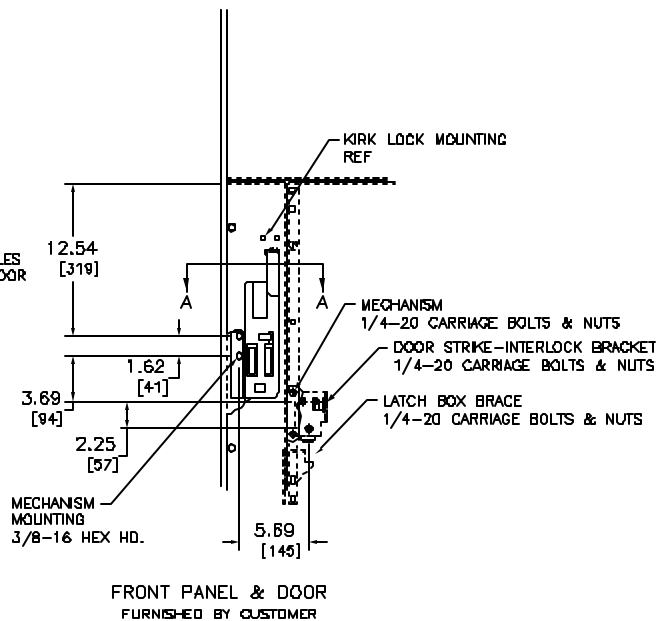


FOR LOCATION OF HOLES
IN FRONT PANEL & DOOR
SEE SHEET 3



OUTLINE
VISI/VAC
TYPE VC
OEM

SQUARE D
Schneider Electric

DWG# 48119-747-2_3
NO.