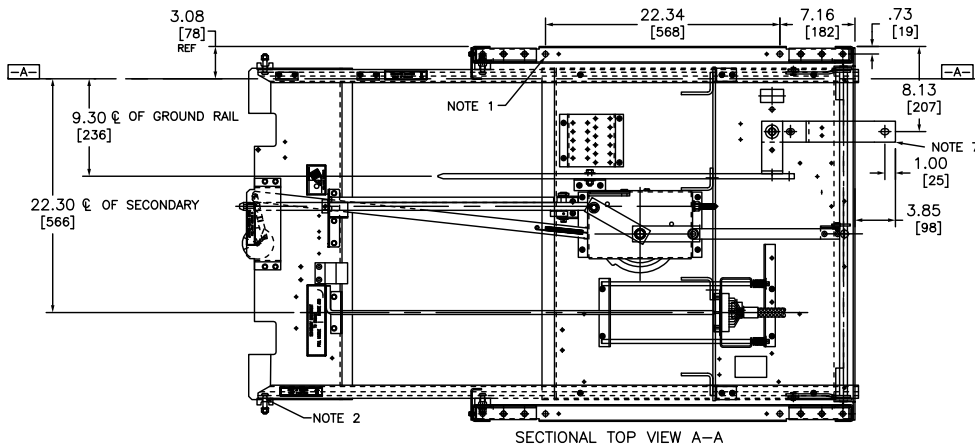
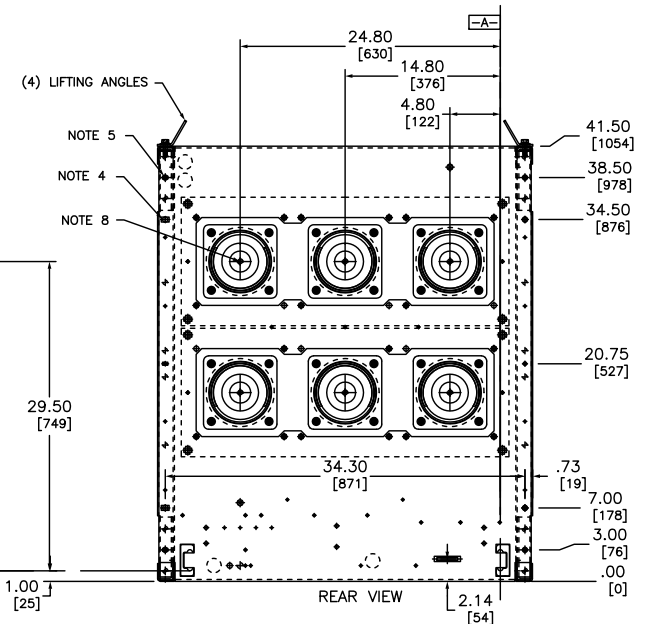
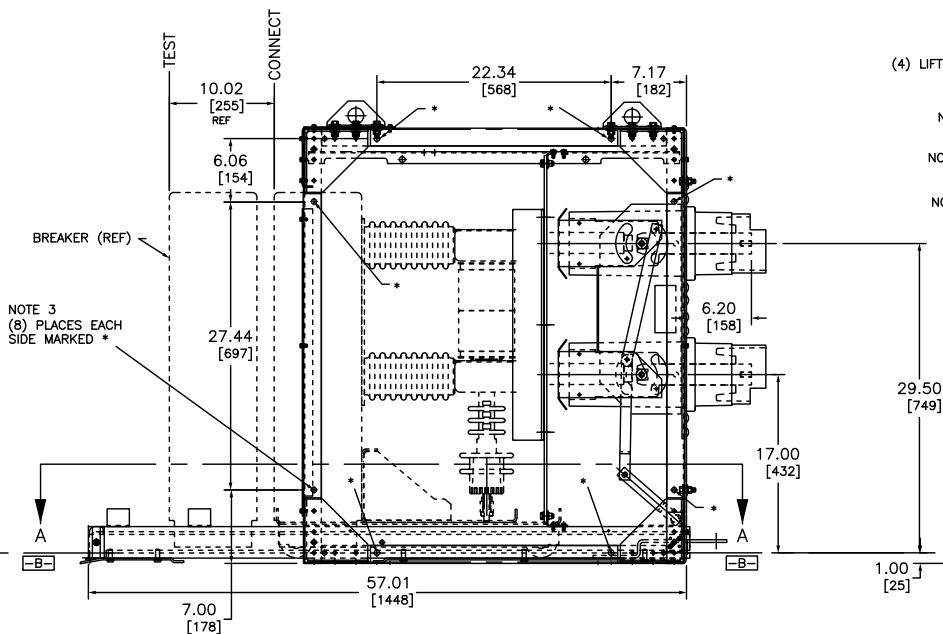
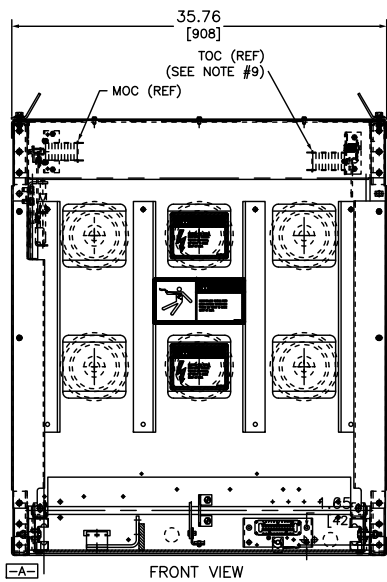


1. DATUM LOCATIONS:
 -A- VERTICAL CENTERLINE OF LEFT GUIDE RAIL WHEEL GROOVE.
 -B- BOTTOM EDGE OF GUIDE RAIL WHEEL GROOVE.

CATALOG NUMBERS	
1200A, 16KA	SC7-1216
1200A, 25KA	SC7-1225
1200A, 40KA	SC7-1240
2000A, 16KA	SC7-2016
2000A, 25KA	SC7-2025
2000A, 40KA	SC7-2040



- NOTES:
- (4) .500/[13] DIA. HOLES (2 EACH SIDE) PROVIDED IN FLOOR ANGLES TO BE USED AS PROVISIONS FOR BOLTING OR WELDING OF OEM FRAME TO FOUNDATION.
 - OEM TO PROVIDE SUPPORT AT THE FRONT OF THE LEFT AND RIGHT BREAKER RAILS. A .406/[10] DIA. HOLE IS PROVIDED IN THE SIDE RAILS FOR THE PURPOSE.
 - (8) 3/8-16 THREADED INSERTS ARE PROVIDED ON EACH SIDE OF THE OEM FRAME TO ALLOW OEM MEANS FOR BOLTING ON SIDE SHEETS OR OTHER STRUCTURES.
 - (4) .500/[13] DIA. HOLES ARE PROVIDED IN REAR OF FRAME TO ALLOW OEM A MEANS OF BOLTING ON BUS COMPARTMENTS OR OTHER STRUCTURES. HOLES ARE LOCATED AT 7.00/[1778] AND 34.50/[876].
 - EXISTING HARDWARE FOR BOLTING BELL HOUSING IN PLACE IS LOCATED AT ELEVATIONS 3.00/[76], 20.75/[527] AND 38.50/[978]. OEM TO PROVIDE (6) .500/[13] DIA. CLEARANCE HOLES IN ANY STRUCTURE ATTACHING TO THE REAR OF THE FRAME.
 - REFER TO DRAWING 46027-790 FOR TOP LEVEL ASSEMBLY. THIS DRAWING IS FOR ASSEMBLY PURPOSES AND IS NOT INTENDED FOR CUSTOMER DISTRIBUTION.
 - .25/[6] x 2.00/[51] COPPER GROUND BUS WITH (1) .562/[14] x .750/[19] OBROUND HOLE.
 - 1/2-13 x 1.00/[25] DEEP THREADS.
 - POSITION AS FAR TO THE RIGHT SIDE OF THE CELL AS THE SLOTS IN THE DEVICE PANEL WILL ALLOW. BRACKET AND SWITCH CAN BE REPOSITIONED TO ALIGN PROPERLY WITH BREAKER IS REQUIRED.



OEM
ONE HIGH CRADLE
LOWER BKR

SQUARE D
by Schneider Electric

DWG# 46027-846
No.