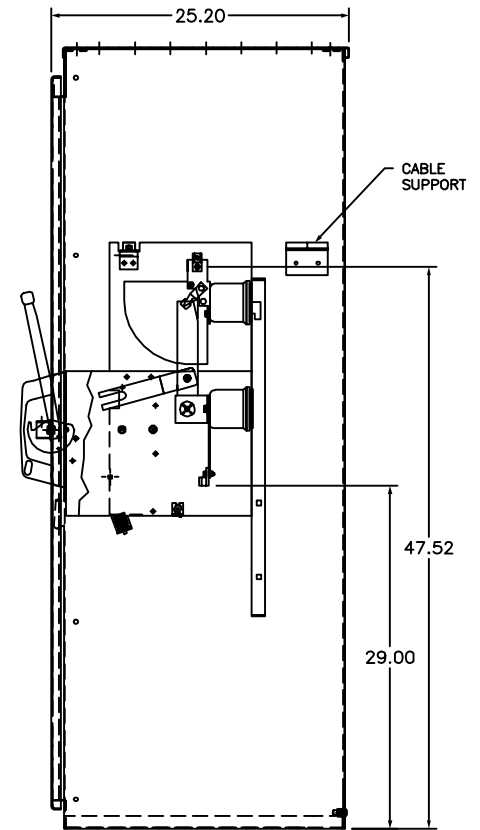
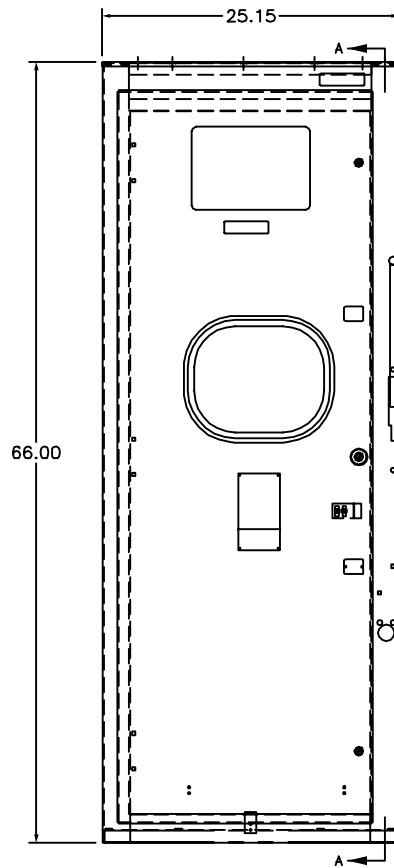


SHADED AREA
RECOMMENDED
BOTTOM CONDUIT
ENTRANCE

FRONT

FLOOR PLAN

(4) .562 DIAMETER
KNOCKOUTS



SECTION A-A

OUTLINE, MINIBREAK DIGEST
UNFUSED 5.5KV, 200A



SQUARE D COMPANY

DWG# 44070-884
NO.