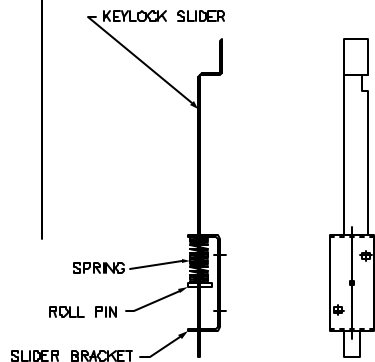
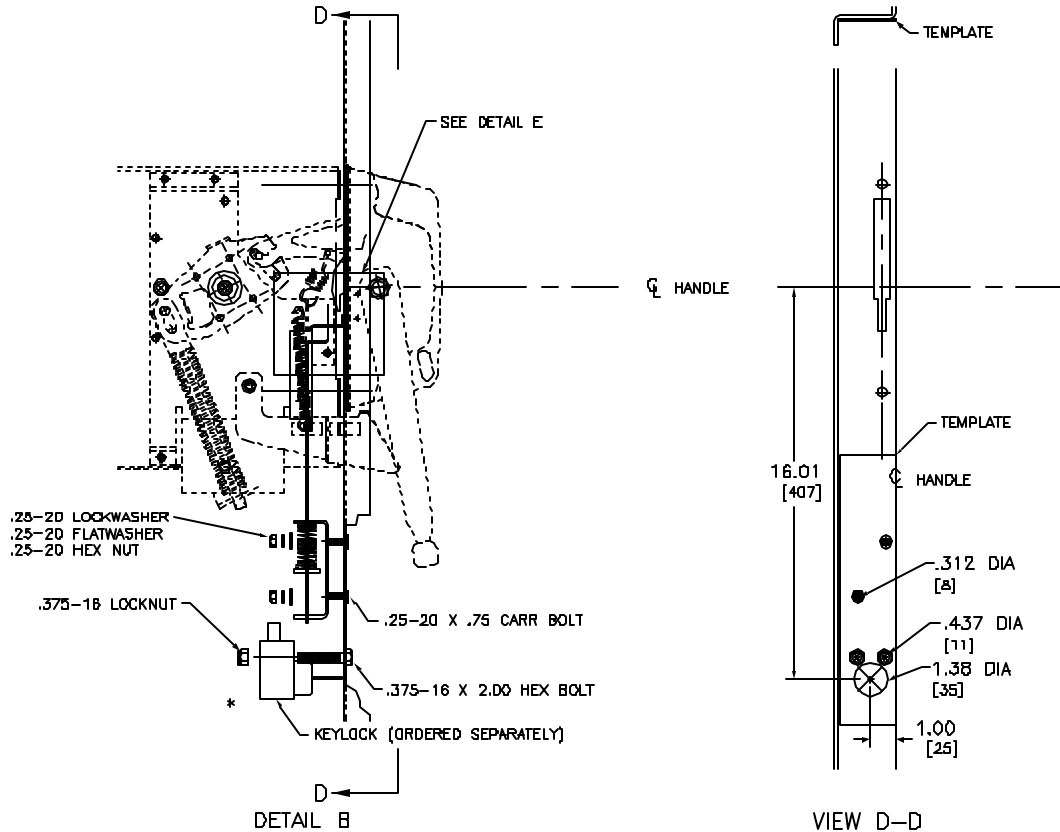


DETAIL E



SIDE VIEW FRONT VIEW

DETAIL A



DETAIL B

VIEW D-D

INSTALLATION INSTRUCTIONS

1. REMOVE KNOCKOUTS, OR USING TEMPLATE, DRILL HOLES AS SHOWN IN VIEW D-D.
2. ASSEMBLE KEYLOCK SLIDER, SPRING, ROLLPIN AND SLIDER BRACKET AS SHOWN IN DETAIL A.
3. INSTALL KEYLOCK SLIDER ASSEMBLY INTO POSITION BY PLACING THE END OF THE SLIDER BETWEEN EXISTING MECHANISM INTERLOCK SLIDER AND FRONT OF ENCLOSURE. (SEE DETAIL E)
4. ALIGN HOLES FOR .25-20 CARRIAGE BOLTS AND HARDWARE AND INSTALL. DO NOT TIGHTEN.
5. INSTALL KEYLOCK AS SHOWN IN DETAIL B USING .375-16 HARDWARE.
6. PLACE SLIDER SO THAT WHEN KEYLOCK BOLT IS EXTENDED AGAINST IT, TOP OF SLIDER WILL FIT INTO HANDLE OPERATING CAM AS SHOWN IN DETAIL E AND TIGHTEN ALL HARDWARE.
7. IF DISASSEMBLY OF HANDLE IS REQUIRED, REFERENCE DRAWING 4407D-89D.

*NOTE:
TYPE F KIRK LOCK
Ø" BOLT PROJECTION

OUTLINE MINIBREAK
KEYLOCK INSTALLATION



DWG# 44070-833
ND.