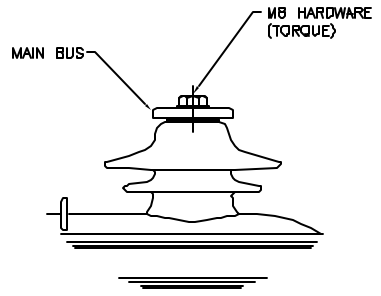


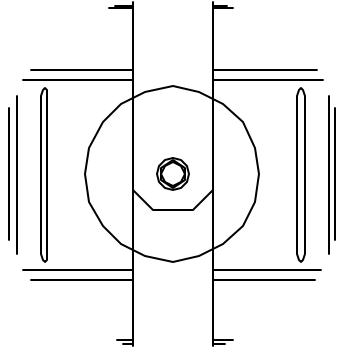
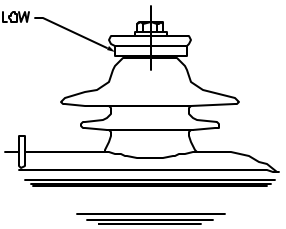
SIDE VIEW

SEE DETAIL Y

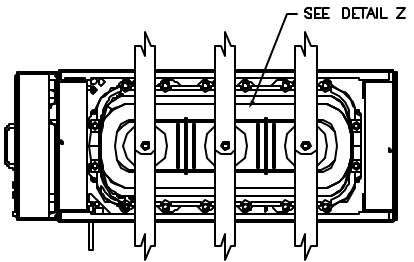


DETAIL Y

SPACER  
SEE NOTE BELOW



DETAIL Z



SECTION A-A

NOTE:  
ADD (3) SPACERS, ONE FOR EACH POLE, OF PART NO. 44044-391-01.  
USE DN END BAY WHEN ODD NUMBER OF BAYS ARE IN LINE-UP.

GENERAL NOTES

MAIN BUS KIT INCLUDES:

- (3) MAIN BUS BAR
- (3) MB X 1.25 HEX HEAD
- (3) MB SPLIT LOCK WASHER
- (3) BUS SPACERS (SOME KITS)

TORQUE REQUIREMENT

MAIN BUS, MB ..... 35 FT/LBS

OUTLINE  
MAIN BUS ASSY. (APP A)



DWG# 44046-222  
NO.