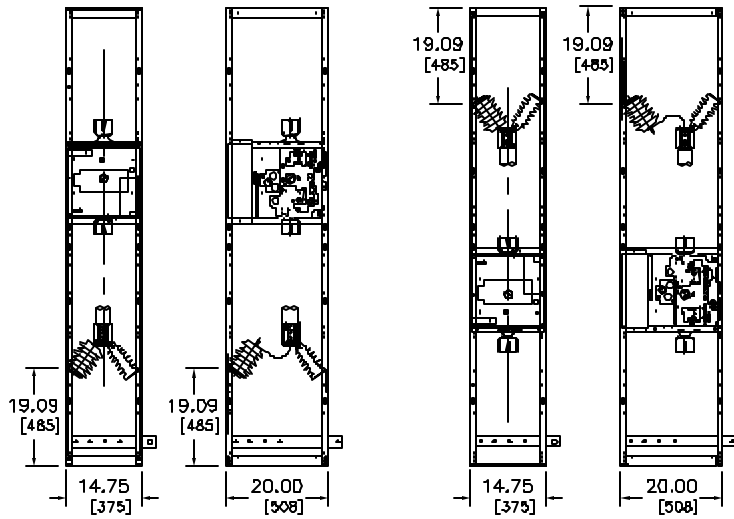


2.7 THRU 12.0 KV

APP-A

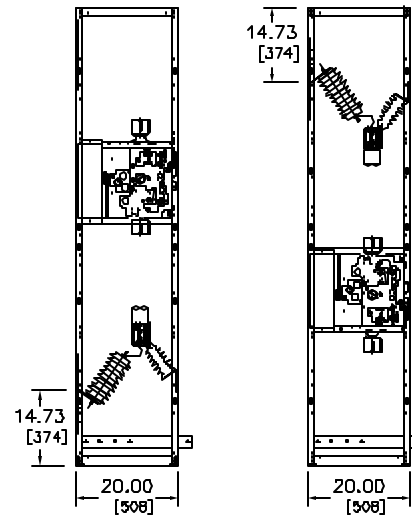
APP-B



15.0 THRU 18.0 KV
20 WIDE REQUIRED FOR 16-18 KV

APP-A

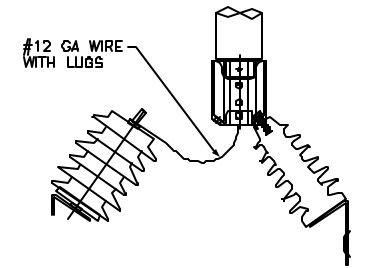
APP-B



GENERAL NOTES

ARRESTER KIT INCLUDES:

- DISTRIBUTION ARRESTERS
- WIRE, #12 GA. (SOME ASSEMBLIES)
- WIRING LUGS, #12. (SOME ASSEMBLIES)
- .25-20 ARRESTER SUPPORT MTG. HDWR.



SURGE ARRESTER CONNECTION

DUAL DIMENSIONS: INCHES
MILLIMETERS

OUTLINE
HVL/CC
SURGE ARRESTER MOUNTING



DWG# 44046-221
NO.