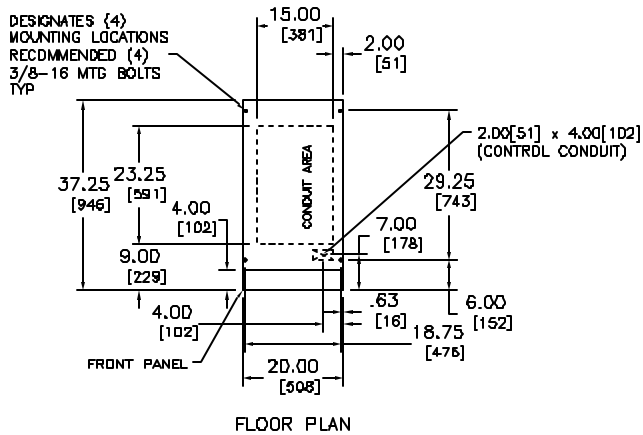
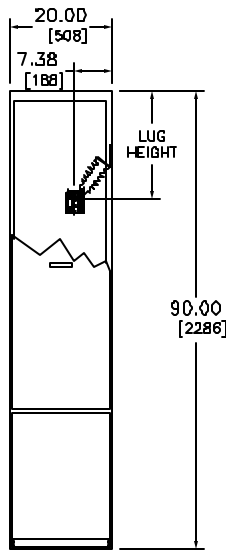


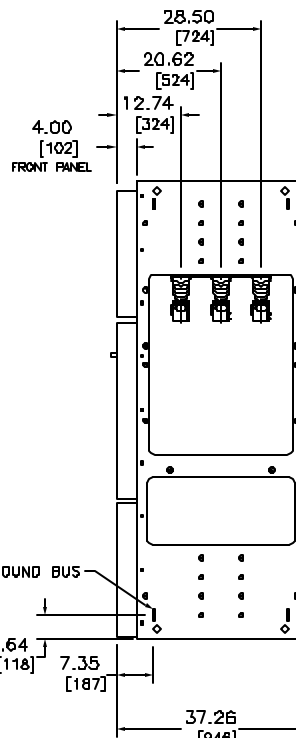
TOP VIEW



FLOOR PLAN

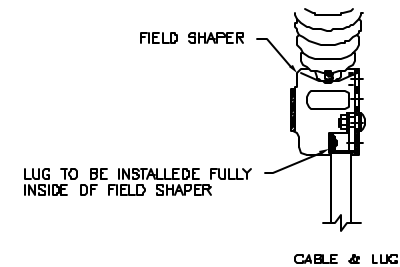


FRONT VIEW



SIDE VIEW

GENERAL NOTES	
SWITCH RATINGS	
RATED MAX. VOLTAGE:	5.0 KV / 15.0 KV
IMPULSE WITHSTAND:	60 KV 95 KV
FREQUENCY:	50 / 60 Hz
CONTINUOUS CURRENT:	600 A
LOAD INTERRUPTING CURRENT:	600 A
MOMENTARY CURRENT:	40 KA ASYM.
FAULT CLOSE CURRENT:	40 KA ASYM.
WEIGHT:	630 LBS APPROX.
FUSE	
COOPER - BUSSMAN	DIN STYLE / E RATED
LUGS	
LINE & LOAD	#2 - 350 MCM (SET SCREW)
LUG HEIGHT	
ALL FUSED CONN.	LUG HEIGHT = 25.26



OUTLINE  
HVL/CC APP-A  
INCOMING BAY



DWG# 44046-218  
NO.