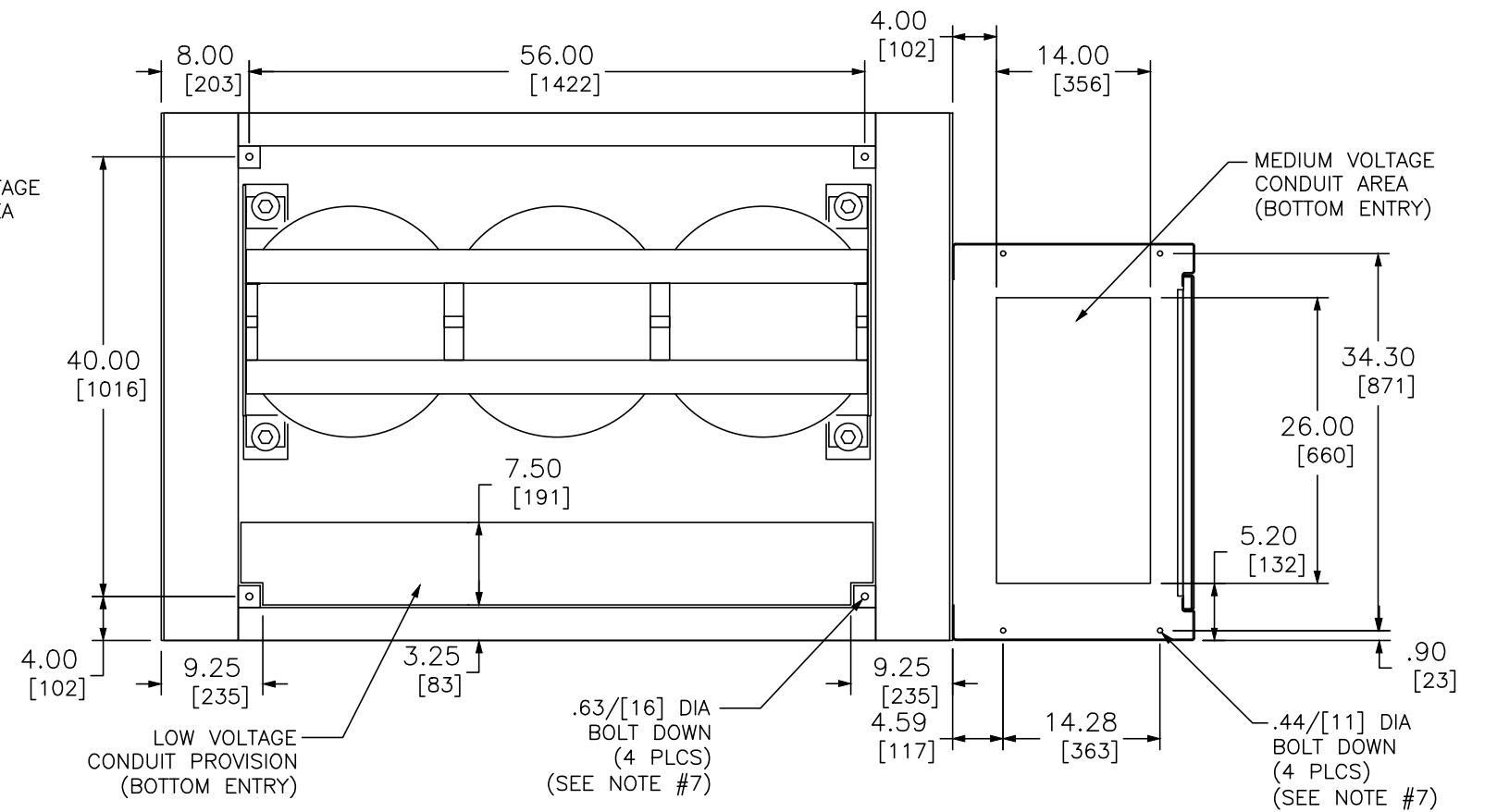



TOP VIEW  
CONDUIT AREAS



PLAN VIEW

MODEL 3/AIR TERMINAL CHAMBER

DUAL DIMENSIONS: INCHES  
MILLIMETERS

MODEL 3/AIR TERMINAL CHAMBER	 <b>by Schneider Electric</b>
	DWG# 44045-839-3800-72-001-01-2 NO.