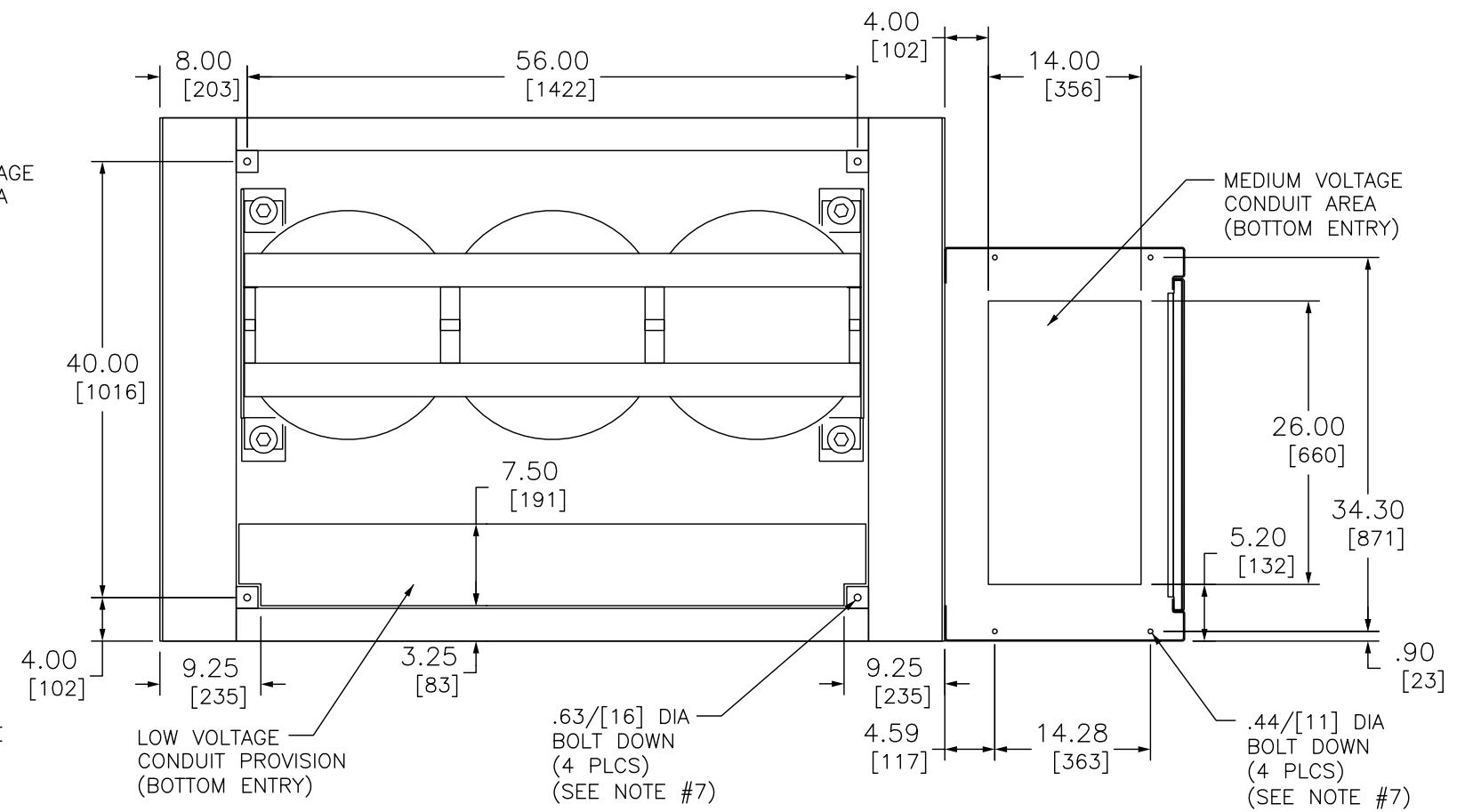


TOP VIEW
CONDUIT AREAS



PLAN VIEW

MODEL 3/AIR TERMINAL CHAMBER

DUAL DIMENSIONS: INCHES
MILLIMETERS

MODEL 3/AIR TERMINAL CHAMBER



DWG# 44045-849-2200LV-72-001-01-2
NO.

44045-849-2200LV-72-001-01-2