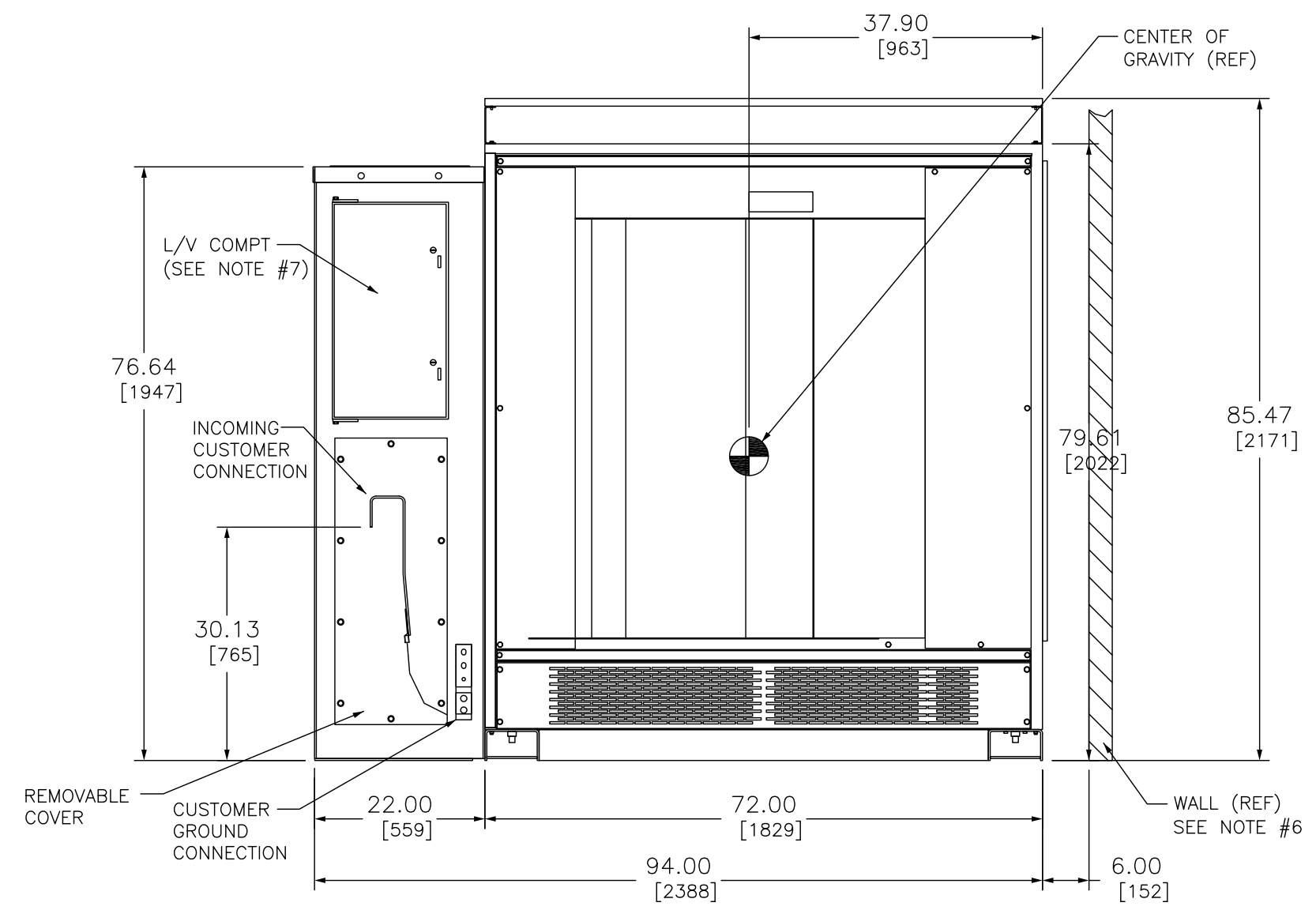


LEFT SIDE VIEW



FRONT VIEW
(L/H ATC SHOWN)

MODEL 3/AIR TERMINAL CHAMBER

- NOTES:
- WEIGHT: APPROXIMATE WEIGHT PER MODEL 3 TRANSFORMER CUBICLE IS:

| | 5kV-72" | 15kV-72" | |
|-----------|----------|----------|--------------------|
| 500 KVA- | 3825 LBS | 4150 LBS | 80°C, 115°C |
| 750 KVA- | 5450 LBS | 6125 LBS | 80°C, 115°C, 150°C |
| 1000 KVA- | 5625 LBS | 6400 LBS | 150°C |
 - ENCLOSURE: NEMA TYPE 1, PAINTED ANSI #49, GRAY (2 MILS)
 - ALL TOLERANCES ARE ±.12/[3] UNLESS SHOWN OTHERWISE.
 - FOR CONDUIT AREA DETAIL AND MOUNTING DETAIL, SEE SHEET 2 OF 2.
 - CUBICLES SHIP SEPARATELY. LIFTING FROM THE BASE IS REQUIRED ON MODEL 3 TRANSFORMER CUBICLE. (SEE BULLETIN 43500-054-30 FOR DETAILED LIFTING INSTRUCTION.)
 - FOR PROPER VENTILATION, A 12.00/[305] MINIMUM DISTANCE SHOULD BE MAINTAINED ON THE TRANSFORMER SIDE OF THE EQUIPMENT. WHEN POSSIBLE, IT IS RECOMMENDED TO MAINTAIN THIS DISTANCE ON ALL SIDES OF THE EQUIPMENT.
 - IT IS RECOMMENDED TO USE ONLY THE FRONT BOLT DOWN HOLE LOCATIONS ON FRONT ACCESS ONLY EQUIPMENT.

DUAL DIMENSIONS: INCHES
MILLIMETERS

| | |
|------------------------------|--|
| MODEL 3/AIR TERMINAL CHAMBER | SQUARE D by Schneider Electric |
| | DWG# 44045-848-2200LV-72-001-01-1 NO. |