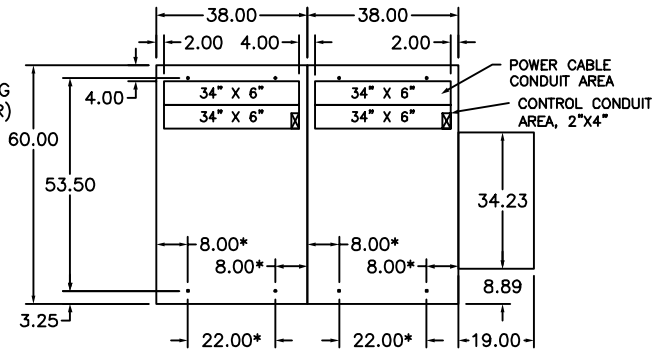


TOP VIEW



FLOOR PLAN

* - DESIGNATES .562" MOUNTING HOLE DIMENSION IN (4) PLACES

SWITCH RATINGS

RATED MAX. VOLTAGE: 4.76 KV 15.0 KV
 IMPULSE WITHSTAND: 60 KV 95 KV
 FREQUENCY: 50 / 60 Hz
 CONTINUOUS CURRENT: 600A
 LOAD INTERRUPTING CURRENT: 600A
 MOMENTARY CURRENT: 61 KA ASYM.
 FAULT CLOSE CURRENT: 40 KA ASYM.
 WEIGHT: 1850 LBS. APPROX

FUSE

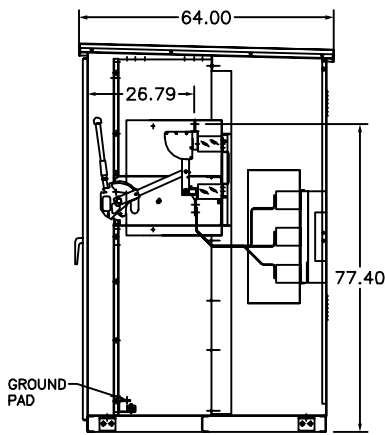
BORIC ACID S&C TYPE SM5
 CLIP CENTER DIM. 'F' = 12.50", 4.76 KV, 10 - 400 E
 CLIP CENTER DIM. 'F' = 16.50", 15 KV, 10 - 400 E

LUGS

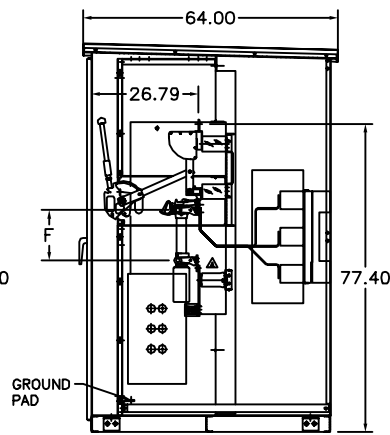
LINE LOAD & GROUND: #2 - 600 MCM (SET SCREW)

OUTLINE APPLICABLE FOR CAT. NO.:

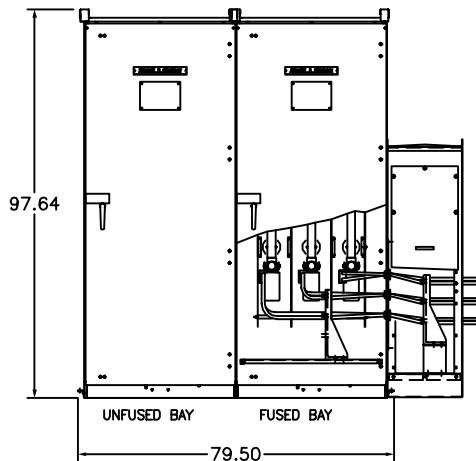
HVL505BWR - 4.76 KV, 10 - 400 E
 HVL505BWL - 4.76 KV, 10 - 400 E
 HVL515BWR - 15.0 KV, 10 - 400 E
 HVL515BWL - 15.0 KV, 10 - 400 E



UNFUSED BAY



FUSED BAY



UNFUSED BAY FUSED BAY

NOTES:

- CABLE CONNECTIONS TO TRANSFORMER ON RIGHT
- CABLE CONNECTIONS TO TRANSFORMER ON LEFT - OPPOSITE HAND
- CABLES FURNISHED WITH TRANSFORMER

OUTLINE - HVL OUTDOOR TRANSFORMER DUPLEX
 4.76 & 15.0 KV, BORIC ACID FUSE



SQUARE D COMPANY

DWG# 44040-039
 NO.