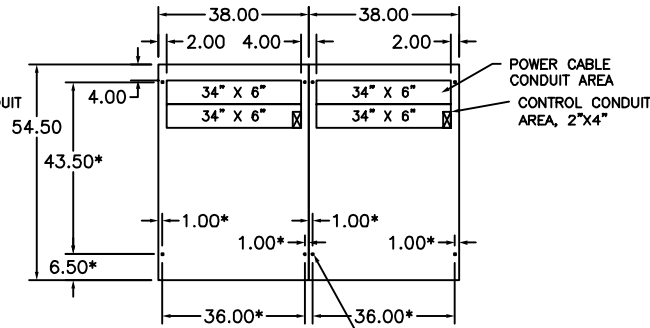


TOP VIEW



FLOOR PLAN

\* - DESIGNATES .562" MOUNTING HOLE DIMENSION IN (4) PLACES

**SWITCH RATINGS**

RATED MAX. VOLTAGE:	4.76 KV 15.0 KV
IMPULSE WITHSTAND:	60 KV 95 KV
FREQUENCY:	50 / 60 Hz
CONTINUOUS CURRENT:	600A
LOAD INTERRUPTING CURRENT:	600A
MOMENTARY CURRENT:	61 KA ASYM.
FAULT CLOSE CURRENT:	40 KA ASYM.
WEIGHT:	1350 LBS. APPROX

**FUSE**

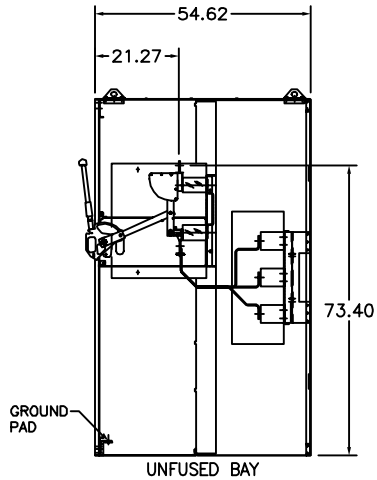
BORIC ACID S&C TYPE SMS  
 CLIP CENTER DIM. 'F' = 12.50", 4.76 KV, 10 - 400 E  
 CLIP CENTER DIM. 'F' = 16.50", 15 KV, 10 - 400 E

**LUGS**

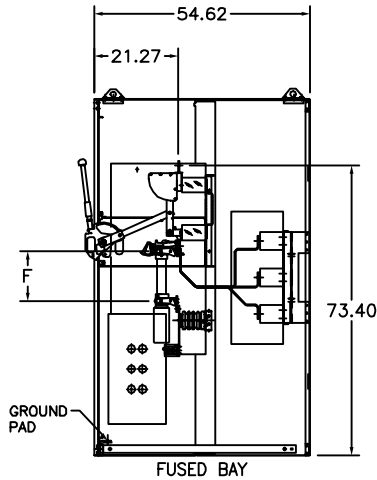
LINE LOAD & GROUND: #2 - 600 MCM (SET SCREW)

**OUTLINE APPLICABLE FOR CAT. NO.:**

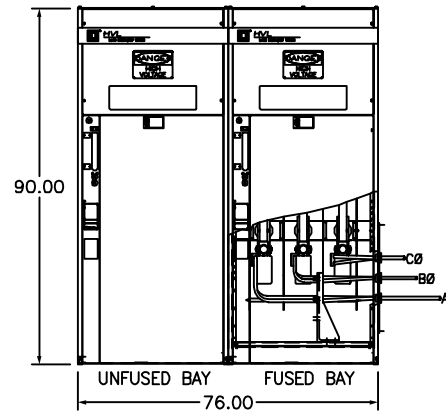
- HVL505BGR - 4.76 KV, 10 - 400 E
- HVL505BGL - 4.76 KV, 10 - 400 E
- HVL515BGR - 15.0 KV, 10 - 400 E
- HVL515BGL - 15.0 KV, 10 - 400 E



UNFUSED BAY



FUSED BAY



NOTE:  
 PHASE SEQUENCE A B C  
 TOP TO BOTTOM WHEN  
 TRANSFORMER ON LEFT

**NOTES:**

- CABLE CONNECTIONS TO TRANSFORMER ON RIGHT
- CABLE CONNECTIONS TO TRANSFORMER ON LEFT - OPPOSITE HAND
- CABLES FURNISHED WITH TRANSFORMER

OUTLINE - HVL INDOOR TRANSFORMER DUPLEX  
 4.76 & 15.0 KV, BORIC ACID FUSE



DWG# 44040-038