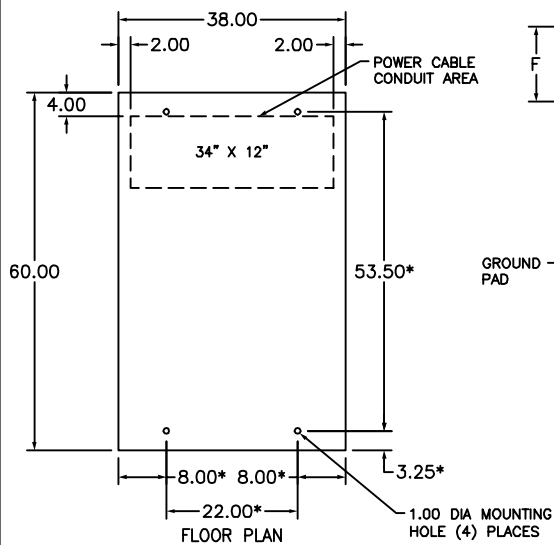
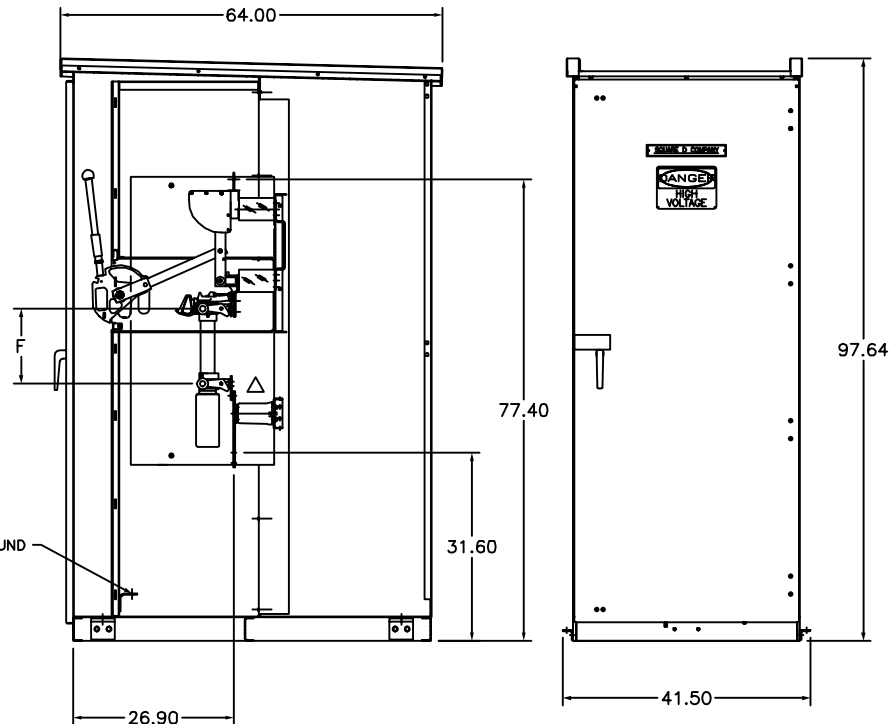


TOP VIEW



FLOOR PLAN



SWITCH RATINGS

RATED MAX. VOLTAGE: 4.76 KV 15.0 KV
 IMPULSE WITHSTAND: 60 KV 95 KV
 FREQUENCY: 50 / 60 Hz
 CONTINUOUS CURRENT: 600A
 LOAD INTERRUPTING CURRENT: 600A
 MOMENTARY CURRENT: 61 KA ASYM.
 FAULT CLOSE CURRENT: 40 KA ASYM.
 WEIGHT: 1850 LBS. APPROX

FUSE

BORIC ACID S&C TYPE SM5
 CLIP CENTER DIM. 'F' = 12.50", 4.76 KV, 10 - 400 E
 CLIP CENTER DIM. 'F' = 16.50", 15 KV, 10 - 400 E

LUGS

LINE LOAD & GROUND: #2 - 600 MCM (SET SCREW)

OUTLINE APPLICABLE FOR CAT. NO.:

HVL305BW - 4.76 KV, 10 - 400 E
 HVL315BW - 15.0 KV, 10 - 400 E
 HVL317BW - 17.0 KV, 10 - 400 E

OUTLINE - HVL SWITCHGEAR OUTDOOR
 4.76 & 15.0 KV, BORIC ACID FUSE



SQUARE D COMPANY

DWG# 44040-029
 NO.