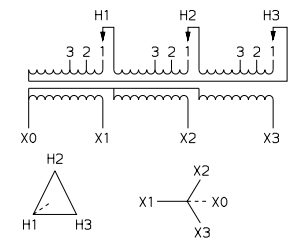
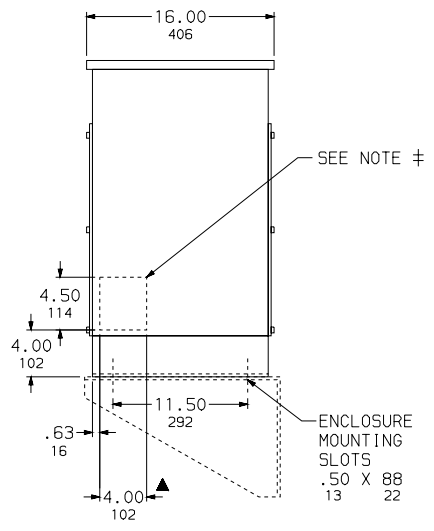
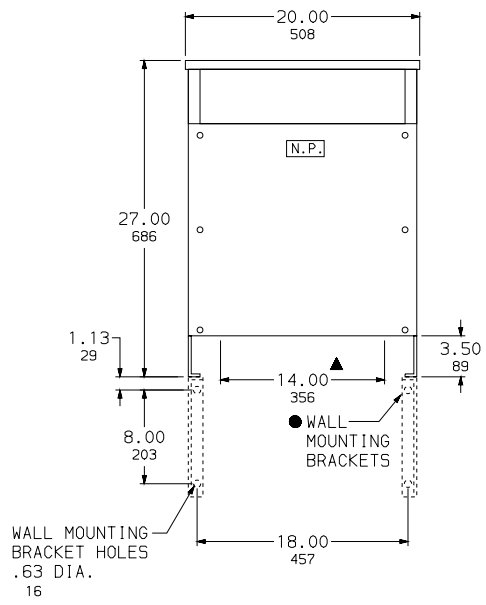


DRY-TYPE DRIVE ISOLATION TRANSFORMERS
 7.5-27 KVA 3Ø 60HZ
 460V DELTA PRIMARY



IN EACH PHASE CONNECT TO TAP	
PRIMARY VOLTS	1-5% FCAN 1-5% FCBN
483	1
460	2
437	3

DUAL DIMENSIONS, INCHES
 MILLIMETERS

KVA	CATALOG NUMBERS		GUAR. SOUND LEVEL IN DB'S	WGT. LBS	AVG % Z
	230Y SECONDARY	460Y SECONDARY			
7.5	7T144HDIT	7T145HDIT	40 DB	180	5.2
11	11T144HDIT	11T145HDIT	45 DB	180	7.7
15	15T144HDIT	15T145HDIT	45 DB	190	7.9
20	20T144HDIT	20T145HDIT	45 DB	210	9.5
27	27T144HDIT	27T145HDIT	45 DB	260	6.4

- NOTES:
 UL LISTED
 NEMA 2 VENTILATED ENCLOSURE
 MINIMUM CLEARANCE OF 6.00 IN/152 MM MUST BE MAINTAINED
 BETWEEN VENT OPENINGS AND OTHER OBSTRUCTIONS.
 ALUMINUM WOUND
 USE WEATHERSHIELD CAT WS363 FOR NEMA 3R OUTDOOR USE
 220°C INSULATION SYSTEM FOR 150°C RISE
 ● WALL MOUNTING BRACKETS CAT WMB361-362
 ▲ SPACE AVAILABLE IN BOTTOM FOR CUSTOMERS CONDUIT ENTRANCE.
 ‡ SPACE AVAILABLE ON BOTH ENDS FOR CUSTOMERS CONDUIT.

DRY-TYPE DRIVE ISOLATION TRANSFORMERS 7.5-27 KVA 3Ø 60HZ 460V DELTA PRIMARY	SQUARE D COMPANY
DWG. NO. 3684	