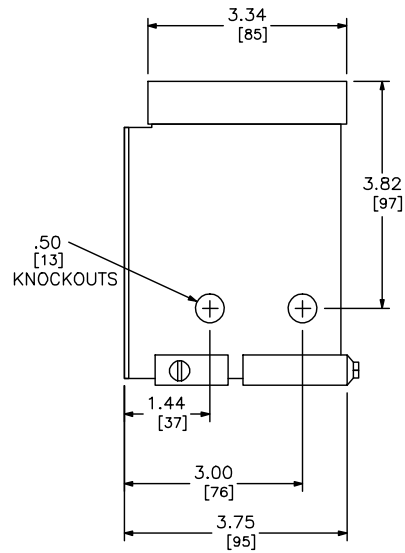
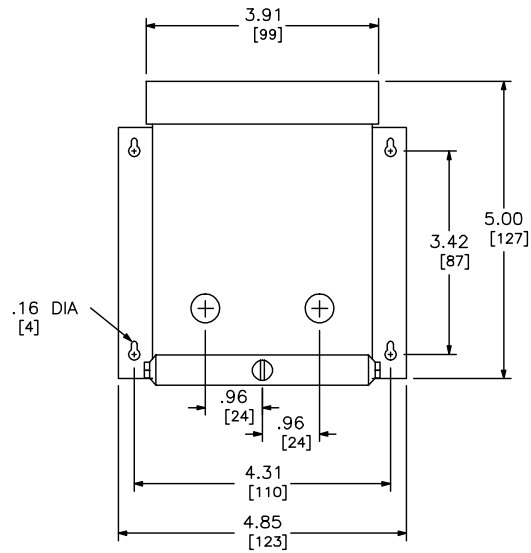


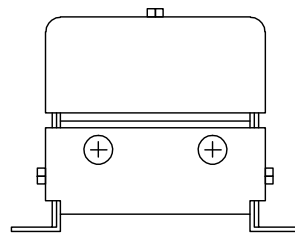
BUCK AND BOOST TRANSFORMER
 .150 KVA 1Ø 60HZ
 120 X 240V PRIMARY



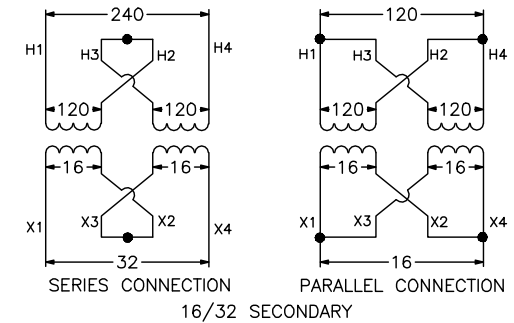
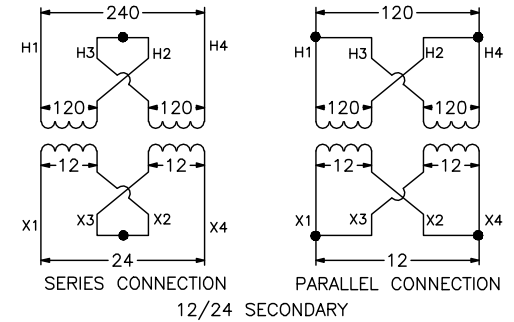
SIDE VIEW



FRONT VIEW



BOTTOM VIEW



SEISMIC QUALIFICATION:
 TO BE COMPLIANT WITH THE SEISMIC REQUIREMENTS OF ASCE/SEI7, THIS UNIT HAS BEEN QUALIFIED BY SHAKE TABLE TESTING THROUGH SELF CERTIFICATION TO ICC ES AC156. THE ENCLOSURE SHOWN ABOVE IS 3A. CONTACT YOUR LOCAL SCHNEIDER ELECTRIC/SQUARE D REPRESENTATIVE FOR RELATED QUESTIONS.

NOTES:
 UL/CUL LISTED
 NEMA 3R NON-VENTILATED ENCLOSURE
 COPPER WOUND
 105°C INSULATION SYSTEM FOR 55°C RISE
 EPOXY-RESIN ENCAPSULATED

DUAL DIMENSIONS: INCHES
 MILLIMETERS

KVA	CATALOG NUMBERS		TEMP. RISE	WGT LBS
	12/24 SECONDARY	16/32 SECONDARY		
.150	150SV43A	150SV46A	55°C	6.2

BUCK AND BOOST TRANSFORMERS
 .150 KVA 1PH 60HZ
 120 X 240V PRIMARY



DWG# 3614
 No.