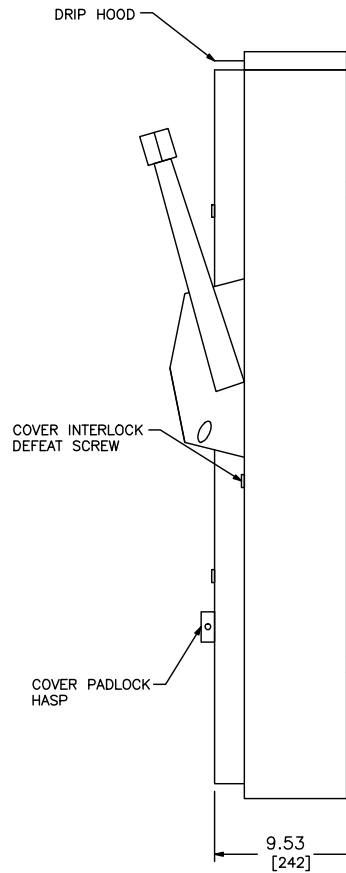
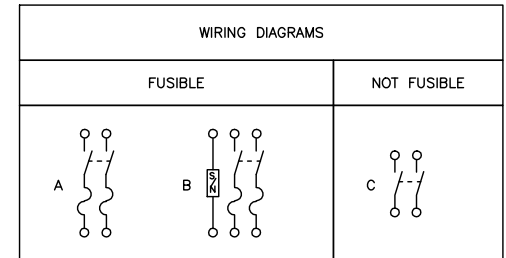


NEMA TYPE 3R
NO KNOCKOUTS

NOTES:
FINISH - GRAY BAKED ENAMEL
CSA CERTIFIED - FILE #LL-89067
ALL NEUTRALS - INSULATED GROUNDABLE
FUSIBLE SWITCHES ARE SUITABLE FOR USE AS SERVICE EQUIPMENT
SHORT CIRCUIT CURRENT RATINGS:
10,000 AMPERES WHEN USED WITH OR PROTECTED BY CLASS H OR K FUSES.
200,000 AMPERES WHEN USED WITH OR PROTECTED BY CLASS R FUSES HAVING
CLASS R REJECTION KITS INSTALLED OR CLASS J FUSES.
*FOR CORNER GROUNDED DELTA SYSTEMS ONLY AND WITH SOLID NEUTRAL ASSEMBLY INSTALLED.



NOTE: SIDE HINGED DOOR



TERMINAL LUGS DATA			
AMPERES	MAX WIRE	MIN WIRE	TYPE
400	(1) 750 KCML OR	(1) #1/0 AWG OR	AL OR CU
	(2) 300 KCML	(2) #1/0 AWG	

CATALOG NUMBER	VOLTAGE RATINGS	WIRING DIAG	HORSEPOWER RATINGS				
			240VAC		480VAC		250 VDC
			STD	MAX	STD	MAX	
CH225NR	240VAC;250VDC	B	50*	125*	-	-	-

HEAVY DUTY SAFETY SWITCHES
VISIBLE BLADE TYPE
400 AMPERE - SERIES E5
ENCLOSURE - NEMA TYPE 3R RAINPROOF (SUFFIX R)



DWG# 3453C
No.