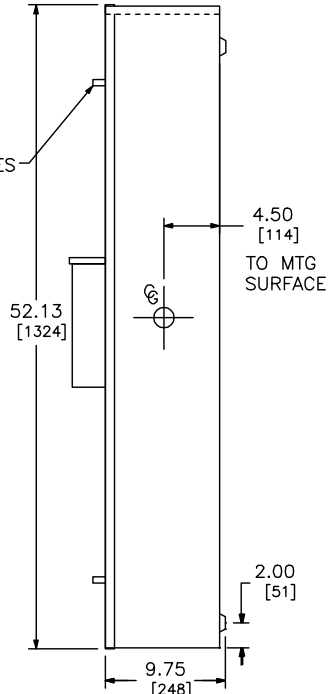


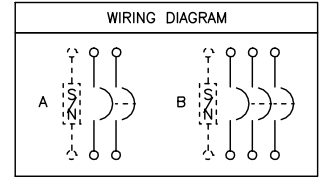
COVER HANDLES
(2) PLACES



P1200R
NEMA/EEMAC TYPE 3R
NO KNOCKOUTS

SEISMIC NOTES:
USE (4) 1/4" DIA GRADE 5 STEEL MOUNTING BOLTS @ HOLES AA
MAX CONFIGURED WEIGHT 150 LB FOR THE PURPOSE OF DETERMINING
SEISMIC ANCHORAGE REQUIREMENTS. FOR ALL OTHER APPLICATIONS,
CONTACT SCHNEIDER ELECTRIC.

- NOTES:
FINISH - GRAY BAKED ENAMEL ELECTRODEPOSITED OVER CLEANED PHOSPHATIZED STEEL.
cULus - FILE E-136861 CE MARKED.
SUITABLE FOR USE AS SERVICE EQUIPMENT WHEN NEUTRAL ASSEMBLY IS INSTALLED.
NEUTRAL - INSULATED GROUNDABLE.
THE SHORT CIRCUIT CURRENT RATING OF THIS ENCLOSED CIRCUIT BREAKER, INDICATED ON CHART
ABOVE, MAY BE LESS THAN THE AIR RATING INDICATED ON THE INSTALLED CIRCUIT BREAKER.
* NEUTRAL AND NEUTRAL CT FOR USE ON INTEGRAL GROUND FAULT APPLICATION. APPLICABLE ONLY
TO P-FRAME 400-1200A.
● NUMBER OF TERMINALS FOR SERVICE GROUND CONDUCTORS.
▲ GROUND KIT.
■ 100% RATED APPLICATIONS RESTRICTED TO 800A MAX.



CIRCUIT BREAKER TERMINAL LUG DATA					
CIRCUIT BREAKER CATALOG NO. PREFIX	AMPERE RATING	CONDUCTORS PER PHASE	WIRE SIZE (AWG/KCMIL)		TYPE
			MAX	MIN	
MGL, MJL	300-800A	3	500	3/0	AL OR CU
PGL,PJL,PKL,PLL	250-800A	3			
	1000-1200A	4			

FIELD INSTALLABLE NEUTRAL ASSEMBLIES AND GROUND KIT						
CATALOG NUMBER	MAXIMUM AMPERE RATING	NUMBER OF TERMINALS	CONDUCTORS PER TERMINAL	WIRE SIZE (AWG/KCMIL)		TYPE
				MAX	MIN	
SN1200	1200A	8 (4 IN-4 OUT)	1	500	3/0	AL OR CU
			2 ●	350	6	
* S33576 AND S33576MK	1200A	8 (4 IN-4 OUT)	1	500	3/0	AL OR CU
			2 ●	300	4	
PK0GT4 ▲	-	4	1	300	6	

DUAL DIMENSIONS: INCHES
MILLIMETERS

CIRCUIT BREAKER CATALOG NO. PREFIX	WIRING DIA	AMPERE RATING	UL LISTED INTERRUPTING RATING RMS SYMMETRICAL AMPERES						FEDERAL SPECS W-C-375B/GEN	
			AC VOLTAGE			DC VOLTAGE				
			240	480Y/277	480	600	125	250		600
MGL	A B	300-800	65K	35K	35K	18K	-	-	-	X
MJL	A B	300-800	100K	65K	65K	25K	-	-	-	X
PGL	■ A B	250-1200	65K	35K	35K	18K	-	-	-	X
PJL	■ A B	250-1200	100K	65K	65K	25K	-	-	-	X
PKL	■ A B	250-1200	65K	50K	50K	50K	-	-	-	X
PLL	■ A B	250-1200	125K	100K	100K	25K	-	-	-	X

CIRCUIT BREAKER ENCLOSURES
250-1200 AMPERE
NEMA/EEMAC TYPE 3R



DWG# 3435S
NO.