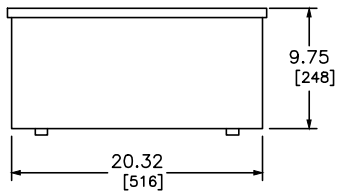
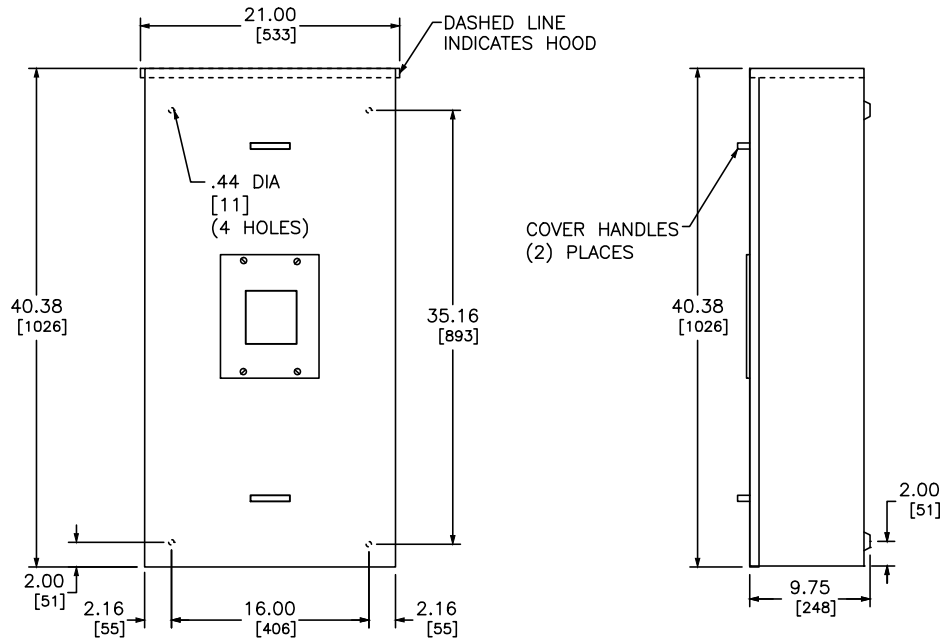


CIRCUIT BREAKER TERMINAL LUG DATA					
CIRCUIT BREAKER CATALOG NO. PREFIX	AMPERE RATING	CONDUCTORS PER PHASE	WIRE SIZE (AWG/KCMIL)		TYPE
			MAX	MIN	
MGL, MJL PGL, PJL, PKL, PLL	300-800A 250-800A	3	500	3/0	AL OR CU

FIELD INSTALLABLE NEUTRAL ASSEMBLIES AND GROUND KIT						
CATALOG NUMBER	MAXIMUM AMPERE RATING	NUMBER OF TERMINALS	CONDUCTORS PER TERMINAL	WIRE SIZE (AWG/KCMIL)		TYPE
				MAX	MIN	
AL800SN	800A	6 (3 IN-3 OUT)	1	500	3/0	AL OR CU
* SN800SNI AND (2) SN1200	800A	16 (8 IN-8 OUT)	1	500	3/0	
** S33576 AND S33576MK	800A	8 (4 IN-4 OUT)	2	350	6	
PK0GT4 ▲	-	4	1	300	6	

DUAL DIMENSIONS: INCHES  
MILLIMETERS

FIELD INSTALLABLE CIRCUIT BREAKER DATA										
CIRCUIT BREAKER CATALOG NO. PREFIX	WIRING DIA	AMPERE RATING	UL LISTED INTERRUPTING RATING RMS SYMMETRICAL AMPERES							FEDERAL SPECS W-C-375B/GEN
			AC VOLTAGE				DC VOLTAGE			
			240	480Y/277	480	600	125	250	600	
MGL	A B	300-800	65K	35K	35K	18K	-	-	-	X
MJL	A B	300-800	100K	65K	65K	25K	-	-	-	X
PGL ■	A B	250-800	65K	35K	35K	18K	-	-	-	X
PJL ■	A B	250-800	100K	65K	65K	25K	-	-	-	X
PKL ■	A B	250-800	65K	50K	50K	50K	-	-	-	X
PLL ■	A B	250-800	125K	100K	100K	25K	-	-	-	X



M800S  
NEMA/EEMAC TYPE 1  
NO KNOCKOUTS

- NOTES:  
 FINISH - GRAY BAKED ENAMEL ELECTRODEPOSITED OVER CLEANED PHOSPHATIZED STEEL.  
 cULus - FILE E136861 CE MARKED.  
 SUITABLE FOR USE AS SERVICE ENTRANCE EQUIPMENT WHEN NEUTRAL ASSEMBLY IS INSTALLED.  
 NEUTRAL - INSULATED GROUNDABLE.  
 THE SHORT CIRCUIT CURRENT RATING OF THIS ENCLOSED CIRCUIT BREAKER, INDICATED ON CHART ABOVE, MAY BE LESS THAN THE AIR RATING INDICATED ON THE INSTALLED CIRCUIT BREAKER.  
 \* FOR 200% NEUTRAL APPLICATION.  
 \*\* NEUTRAL AND NEUTRAL CT FOR USE ON INTEGRAL GROUND FAULT PROTECTION APPLICATION. APPLICABLE ONLY TO P-FRAME, 400-800A.  
 ● NUMBER OF TERMINALS FOR SERVICE GROUND CONDUCTORS.  
 ▲ GROUND KIT.  
 ■ STANDARD OR 100% RATED, 800A MAX.

CIRCUIT BREAKER ENCLOSURES  
 250-800 AMPERE  
 NEMA/EEMAC TYPE 1 GENERAL PURPOSE ENCLOSURE



DWG# 3432  
NO.